

IEC Appliance Inlet C14 with Filter, Front or Rear side Mounting



Snap-In Version with quick connect terminals  
6.3 x 0.8 mm



Screw-On Version with  
quick connect terminals 6.3 x 0.8 mm



Screw-On Version with flexible wires



**Description**

- Panel Mount:  
Snap-in or screw-on mounting from front or rear-side
- 2 Functions:  
Appliance Inlet, Line-filter in standard version
- Quick connect terminals or wires

**Approvals**

- VDE Certificate Number: 40004665
- UL File Number: E72928

**Characteristics**

- Compact design with optimal shielding
- All single elements are already wired
- For standard applications
- Suitable for use in equipment according to IEC/UL 60950

**References**

We recommend for new applications the type 5120  
Last order date: 31.12.2014

**Weblinks**

[pdf-datasheet](#), [html-datasheet](#), [General Product Information](#), [Approvals](#), [CE declaration of conformity](#), [RoHS](#), [CHINA-RoHS](#), [Mating Connectors](#), [e-Shop](#), [SCHURTER-Stock-Check](#), [Distributor-Stock-Check](#), [CAD-Drawings](#), [Accessories](#), [Detailed request for product](#)

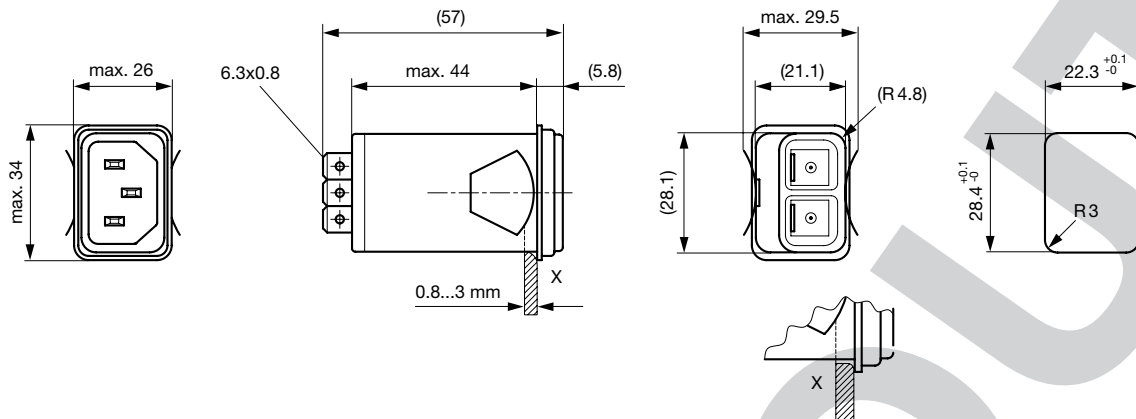
Newly available variants corresponding to V-Lock mating cordset. The connector is equipped with a notch intended for use with the latching cordset. The cord latching system prevents against accidental removal of the cordset.

**Technical Data**

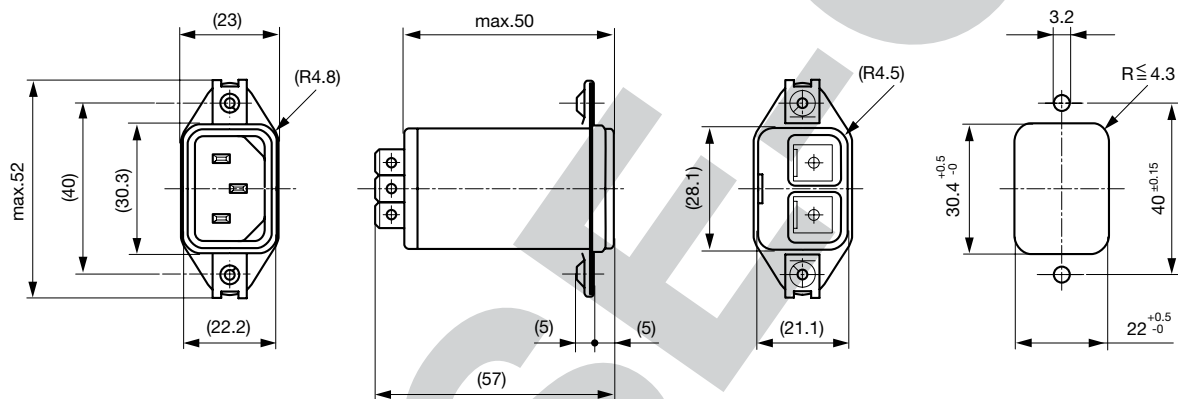
Ratings IEC	1 - 10A @ Ta 40 °C / 250 VAC; 50Hz	Appliance-Inlet/-Outlet	C14 acc. to IEC 60320, UL 498, CSA C22.2 no. 42 (for cold conditions) pin-temperature 70 °C, 10A, Protection Class I
Ratings UL/CSA	1 - 10A @ Ta 40 °C / 125 VAC; 60Hz	Line Filter	Standard Version, IEC 60939, UL 1283, CSA C22.2 no. 8 <a href="#">Technical Details</a>
Dielectric Strength	> 1.7 kVDC between L-N > 2.7 kVDC between L/N-PE Test voltage (2 sec)	MTBF	> 3'100'000 h acc. to MIL-HB-217 F
Impulse Withstand Voltage	> 2.5 kV between L-N > 5 kV between L/N-PE		
Allowable Operation Temp.	-25 °C to 85 °C		
Climatic Category	25/085/21 acc. to IEC 60068-1		
Degree of Protection	from front side IP 40 acc. to IEC 60529		
Protection Class	Suitable for appliances with protection class I acc. to IEC 61140		
Terminal	Quick connect terminals or wires Quick connect terminals 6.3 x 0.8 mm straight		
Panel Thickness s	Screw max 8 mm Mounting screw torque max 0.5 Nm Snap-in 1 mm to 3 mm Aluminium 1.5-3 mm, steel 1-3 mm, not suitable for plastic material		
Material: Housing	Thermoplastic, black, UL 94V-0		

**Dimension**

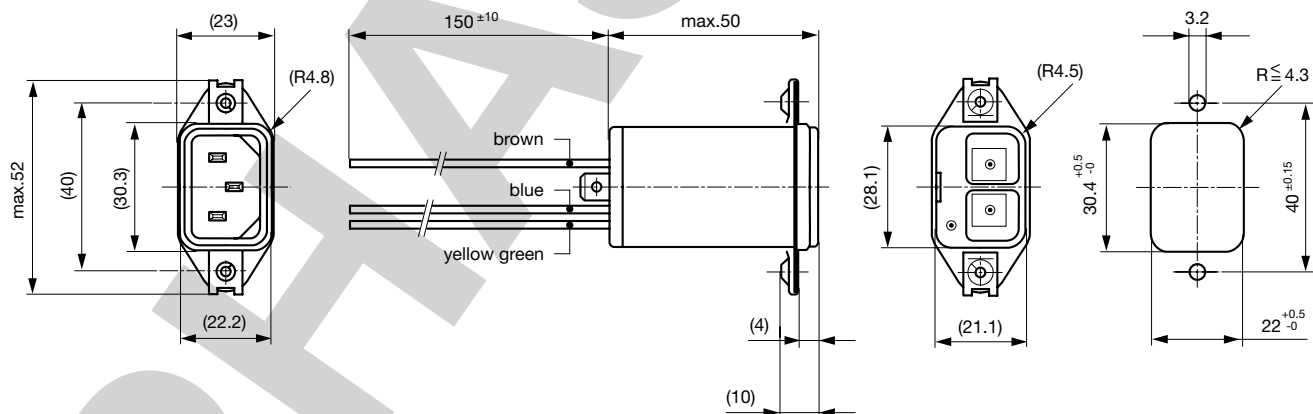
Snap-in, front side, quick connect terminals



Screw-on, rear side, quick connect terminal



Screw-on, rear side, flexible wires

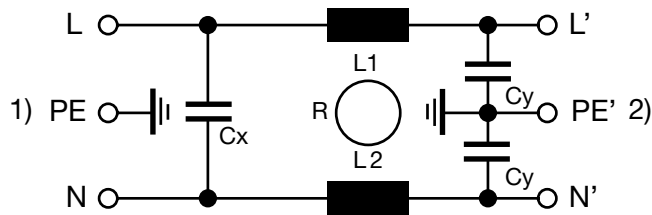


### Technical Data of Filter-Components

Rated Current [A]	Inductances L [mH]	Capacitance CX [nF]	Capacitance CY [nF]
1	2 x 10	47	2.2
2	2 x 4	47	2.2
4	2 x 1.5	47	2.2
6	2 x 0.8	47	2.2
10	2 x 0.3	47	2.2

### Diagrams

Standard version



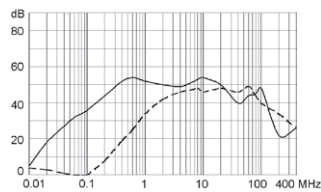
- 1) Line  
2) Load

### Attenuation Loss

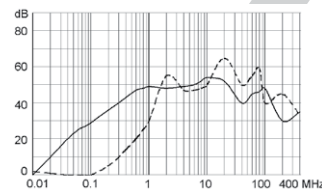
Standard version

--- differential mode    \_\_\_\_ common mode

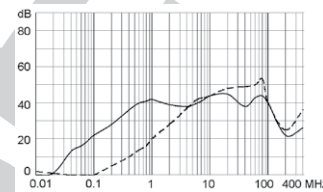
1 A



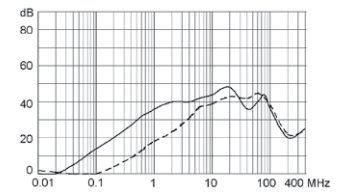
2 A



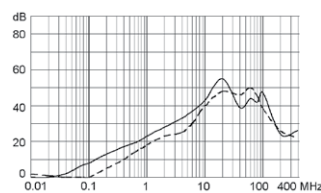
4 A



6 A



10 A



### All Variants

Rated Current [A]	Mounting	Panel mounting	Terminal	Order Number
1	Snap-in	Mounting from front side	Quick connect terminals 6.3 x 0.8 mm	4300.5011
2	Snap-in	Mounting from front side	Quick connect terminals 6.3 x 0.8 mm	4300.5012
4	Snap-in	Mounting from front side	Quick connect terminals 6.3 x 0.8 mm	4300.5013
6	Snap-in	Mounting from front side	Quick connect terminals 6.3 x 0.8 mm	4300.5014
10	Snap-in	Mounting from front side	Quick connect terminals 6.3 x 0.8 mm	4300.5015
1	Screw	Screw-on from rear side	Quick connect terminals 6.3 x 0.8 mm	4300.5091
2	Screw	Screw-on from rear side	Quick connect terminals 6.3 x 0.8 mm	4300.5092
4	Screw	Screw-on from rear side	Quick connect terminals 6.3 x 0.8 mm	4300.5093
6	Screw	Screw-on from rear side	Quick connect terminals 6.3 x 0.8 mm	4300.5094
10	Screw	Screw-on from rear side	Quick connect terminals 6.3 x 0.8 mm	4300.5095
1	Screw	Screw-on from rear side	Flexible wire AWG18	4300.5071
2	Screw	Screw-on from rear side	Flexible wire AWG18	4300.5072

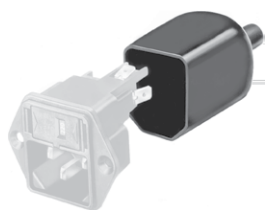
Rated Current [A]	Mounting	Panel mounting	Terminal	Order Number
4	Screw	Screw-on from rear side	Flexible wire AWG18	4300.5073
6	Screw	Screw-on from rear side	Flexible wire AWG18	4300.5074
10	Screw	Screw-on from rear side	Flexible wire AWG18	4300.5075

Availability for all products can be searched real-time: <http://www.schurter.com/en/Stock-Check/Stock-Check-SCHURTER>

**Packaging unit** 10 Pcs

**Accessories**

**Description**



Assorted Covers  
Rear Cover

**Mating Outlets/Connectors**

**Category / Description**



[Appliance Outlet Overview complete](#)

IEC Appliance Outlet F, Screw-on Mounting, Front Side, Solder Terminal	4787
IEC Appliance Outlet F, Snap-in Mounting, Front Side, Solder or Quick-connect Terminal	4788
IEC Appliance Outlet F or H, Screw-on Mounting, Front Side, Solder, PCB or Quick-connect Terminal	5091

[Appliance Outlet further types to FGS](#)

[Connector Overview complete](#)



IEC Connector C15A, Rewireable, Straight	0102
IEC Connector C15A, Rewireable, Straight	0102-G
IEC Connector C15A, Rewireable, Angled	0112
IEC Connector C13, Rewireable, Angled	4012
IEC Connector C13, Rewireable, Straight	4022

[Connector further types to FGS](#)

...

**Mating Outlets/Connectors shuttered**



[Power Cord Overview complete](#)

Overview Power Supply Cord with IEC Connector C13, V-Lock, straight	VAC13KS
---------------------------------------------------------------------	---------

[Power Cord further types to FGS](#)