

IEC Appliance Inlet C14 or C18 with Fuseholder 1- or 2-pole



Snap-In Version



Description

- Panel Mount:
Snap-in version, from front side Appliance Inlet, Protection class I, Fuseholder for fuse-links 5 x 20 mm
- Solder terminals or quick connect terminals

Approvals

- UL File Number: E93617
- CSA File Number: 27324

Characteristics

- The fuse drawer "Fingergrip" can be removed by hand
- The fuseholder is accessible from the equipment front

Weblinks

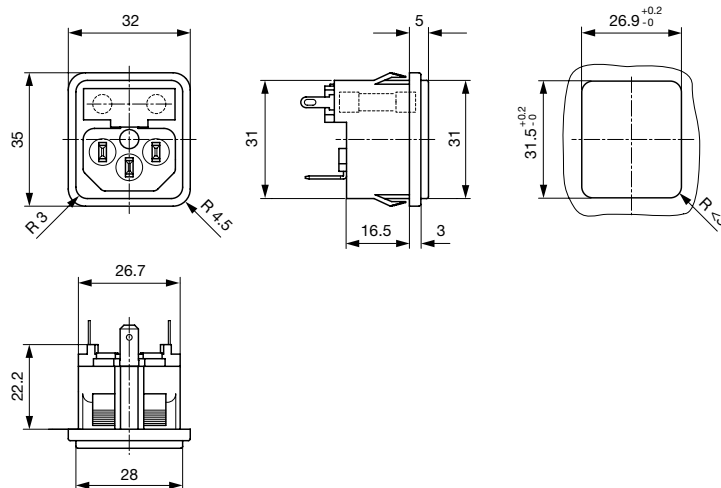
[pdf-datasheet](#), [html-datasheet](#), [General Product Information](#), [Approvals](#), [CE declaration of conformity](#), [RoHS](#), [CHINA-RoHS](#), [Mating Connectors](#), [e-Shop](#), [SCHURTER-Stock-Check](#), [Distributor-Stock-Check](#), [CAD-Drawings](#), [Accessories](#), [Detailed request for product](#)

Technical Data

Ratings IEC	10A / 250VAC; 50Hz
Ratings UL/CSA	10A / 250VAC; 60Hz
Dielectric Strength	> 3kVAC between L-N > 1.5kVAC between L/N-PE (1 min/50Hz)
Allowable Operation Temp.	-25 °C to 70 °C
Degree of Protection	from front side IP 20 acc. to IEC 60529
Protection Class	Suitable for appliances with protection class I or II acc. to IEC 61140
Terminal	Solder terminals or quick connect terminals
Panel Thickness s	Snap-in 1.0 - 2.5 mm
Material: Housing	PA6, black / grey / white, UL 94V-0

Appliance Inlet	C14 / C18 acc. to IEC 60320 UL 498, CSA C22.2 no. 42 (for cold conditions) pin-temperature 70 °C, 10A, Protection Class I or II
Fuseholder	1 or 2 pole, acc. to IEC 60127-6, for fuse-links 5 x 20mm
Power Acceptance @ Ta > 23°C	Admissible power acceptance at higher ambient temperature see derating curves

Dimensions



Length of the terminal please find at the order code configuration table

Config. Code


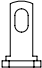


1064 - H - A B C N - D - E G O

The characters are placeholders for the correspondingly keys of selections from the key tables.

1064 - H - A B C N - D - E G O = Type

Type	Configuration key
protection class 2	B
protection class 1	X

1064 - H - A B C N - D - E G O = Terminals

Terminal L	Configuration key
short solder terminal (L = 4.8 mm) 	2
long solder terminal (L = 8.5 mm) 	3
Blade terminal (4.8 x 0.8 mm) 	8
Blade terminal (6.3 x 0.8 mm) 	9
connection to fuse holder	B

1064 - H - A B C N - D - E G O = Terminals

Terminal N	Configuration key
short solder terminal (L = 4.8 mm)	2
long solder terminal (L = 8.5 mm)	3
Blade terminal (4.8 x 0.8 mm)	8
Blade terminal (6.3 x 0.8 mm)	9
connection to fuse holder	B

Symbols similar as in table A

1064 - H - A B C N - D - E G O = Terminals

Terminal Ground	Configuration key
without terminal	0
short solder terminal (L = 4.8 mm)	2
long solder terminal (L = 8.5 mm)	3

Symbols similar as in table A

Terminal Ground	Configuration key
Blade terminal (4.8 x 0.8 mm)	8
Blade terminal (6.3 x 0.8 mm)	9

Symbols similar as in table A

1064 - H - A B C N - D - E G O = Terminal Fuseholder

Terminal Fuseholder	Configuration key
solder terminal	1

1064 - H - A B C N - D - E G O = Color

Color	Configuration key
Black	A
Grey	B
White	D

1064 - H - A B C N - D - E G O = Style

Style	Configuration key
snap-in standard type	3

1064 - H - A B C N - D - E G O = Dimension X

Dimension "X"	Configuration key
00	

The dimension "X" is displayed in ($1/10$ mm). This information is also valid for the order code

1064 - H - A B C N - D - E G O = Features

Features	Configuration key
dead cover	1
holder for 1 or 2 fuses (text legible, when inlet on top)	4
holder for 1 or 2 fuses (text legible, when inlet on bottom)	5

All Variants

Config. Code	Description	Order Number
1064-X-B221-A-3004	1064, IEC Power Entry Module C14, 70°C, version: protection class 1, L: connection to fuse holder, N: short solder terminal (L = 4.8 mm), ground: short solder terminal (L = 4.8 mm), fuseholder: solder terminal, color: Black, design: snap-in standard type, dimension X: 00, features: holder for 1 or 2 fuses (text legible, when inlet on top), not used	4304.6025
1064-X-B881-A-3004	1064, IEC Power Entry Module C14, 70°C, version: protection class 1, L: connection to fuse holder, N: Blade terminal (4.8 x 0.8 mm), ground: Blade terminal (4.8 x 0.8 mm), fuseholder: solder terminal, color: Black, design: snap-in standard type, dimension X: 00, features: holder for 1 or 2 fuses (text legible, when inlet on top), not used	4304.6026
1064-X-B991-A-3004	1064, IEC Power Entry Module C14, 70°C, version: protection class 1, L: connection to fuse holder, N: Blade terminal (6.3 x 0.8 mm), ground: Blade terminal (6.3 x 0.8 mm), fuseholder: solder terminal, color: Black, design: snap-in standard type, dimension X: 00, features: holder for 1 or 2 fuses (text legible, when inlet on top), not used	4304.6027
1064-X-BB21-A-3004	1064, IEC Power Entry Module C14, 70°C, version: protection class 1, L: connection to fuse holder, N: connection to fuse holder, ground: short solder terminal (L = 4.8 mm), fuseholder: solder terminal, color: Black, design: snap-in standard type, dimension X: 00, features: holder for 1 or 2 fuses (text legible, when inlet on top), not used	4304.6028
1064-X-BB21-A-3005	1064, IEC Power Entry Module C14, 70°C, version: protection class 1, L: connection to fuse holder, N: connection to fuse holder, ground: short solder terminal (L = 4.8 mm), fuseholder: solder terminal, color: Black, design: snap-in standard type, dimension X: 00, features: holder for 1 or 2 fuses (text legible, when inlet on bottom), not used	4304.6029
1064-X-BB81-A-3004	1064, IEC Power Entry Module C14, 70°C, version: protection class 1, L: connection to fuse holder, N: connection to fuse holder, ground: Blade terminal (4.8 x 0.8 mm), fuseholder: solder terminal, color: Black, design: snap-in standard type, dimension X: 00, features: holder for 1 or 2 fuses (text legible, when inlet on top), not used	4304.6030
1064-X-BB91-A-3004	1064, IEC Power Entry Module C14, 70°C, version: protection class 1, L: connection to fuse holder, N: connection to fuse holder, ground: Blade terminal (6.3 x 0.8 mm), fuseholder: solder terminal, color: Black, design: snap-in standard type, dimension X: 00, features: holder for 1 or 2 fuses (text legible, when inlet on top), not used	4304.6031
1064-X-BB21-D-3004	1064, IEC Power Entry Module C14, 70°C, version: protection class 1, L: connection to fuse holder, N: connection to fuse holder, ground: short solder terminal (L = 4.8 mm), fuseholder: solder terminal, color: White, design: snap-in standard type, dimension X: 00, features: holder for 1 or 2 fuses (text legible, when inlet on top), not used	4304.6129

The listed variants should be available from stock. Other versions on request www.schurter.com/contact

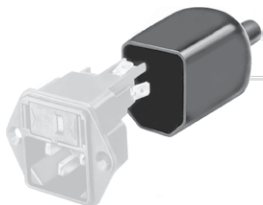
Most Popular.

Availability for all products can be searched real-time: <http://www.schurter.com/en/Stock-Check/Stock-Check-SCHURTER>

Packaging unit 50 Pcs

Accessories

Description



Assorted Covers
Rear Cover

Mating Outlets/Connectors

Category / Description



Appliance Outlet Overview complete

IEC Appliance Outlet F, Screw-on Mounting, Front Side, Solder Terminal	4787
IEC Appliance Outlet F, Snap-in Mounting, Front Side, Solder or Quick-connect Terminal	4788
IEC Appliance Outlet F or H, Screw-on Mounting, Front Side, Solder, PCB or Quick-connect Terminal	5091

[Appliance Outlet further types to 1064](#)

Connector Overview complete



IEC Connector C15A, Rewireable, Straight	0102
IEC Connector C15A, Rewireable, Straight	0102-G
IEC Connector C15A, Rewireable, Angled	0112
IEC Connector C13, Rewireable, Angled	4012
IEC Connector C13, Rewireable, Straight	4022
Connector further types to 1064	...

Power Supply or Interconnection Cord Overview complete



Diverse Power Supply and Interconnection Cords 10 A	Cord Sets 10 A
Power Supply or Interconnection Cord further types to 1064	