

IEC Appliance Inlet C14, Snap-in Mounting, Solder, Quick-connect, Screw or PCB Terminal



Snap-In Version



Description

- Panel Mount:
Snap-in version, Front Side
- 1 Function:
- Appliance Inlet, Pin temperature 70 °C, Protection class I
- Solder, quick-connect, screw, PCB

Approvals

- VDE Certificate Number: 40011871
- UL File Number: E96454
- CSA File Number: 27324
- CCC File Number: 2012010204574855

References

Alternative: protection class II version [6015](#)

Weblinks

[pdf-datasheet](#), [html-datasheet](#), [General Product Information](#), [Approvals](#), [CE declaration of conformity](#), [RoHS](#), [CHINA-RoHS](#), [Mating Connectors](#), [e-Shop](#), [SCHURTER-Stock-Check](#), [Distributor-Stock-Check](#), [CAD-Drawings](#), [Accessories](#), [Detailed request for product](#)

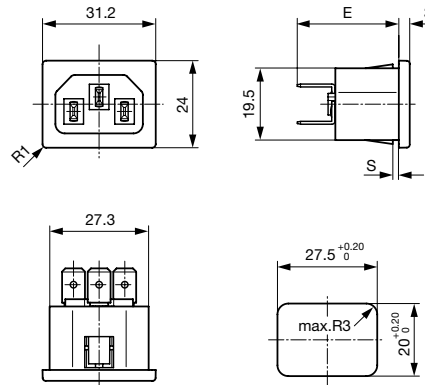
Newly available variants corresponding to V-Lock mating cordset. The connector is equipped with a notch intended for use with the latching cordset. The cord latching system prevents against accidental removal of the cordset.

Technical Data

Ratings IEC	10A / 250VAC; 50Hz	Appliance Inlet	C14 acc. to IEC 60320
Ratings UL/CSA	15A / 250VAC; 60Hz		UL 498, CSA C22.2 no. 42 (for cold conditions) pin-temperature 70 °C, 10A, Protection Class I
Dielectric Strength	> 3 kVAC between L-N > 1.5 kVAC between L/N-PE (1 min/50Hz)		
Allowable Operation Temp.	-25 °C to 70 °C		
Degree of Protection	from front side IP 20 acc. to IEC 60529		
Protection Class	Suitable for appliances with protection class I acc. to IEC 61140		
Terminal	Solder, quick-connect, screw, PCB		
Panel Thickness s	Snap-in version 1/1.5/2.0/2.5/3.0/4.0 mm		
Material: Housing	PA6, black or grey, UL 94V-0		

Dimensions

Quick connect or solder terminals



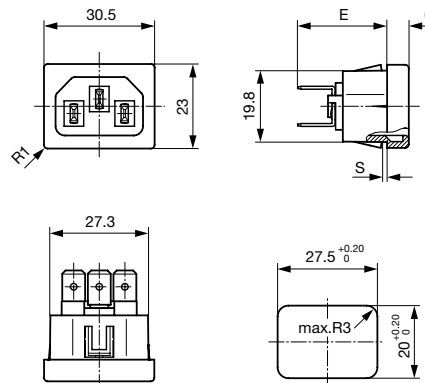
E: Quick-connect terminals 4.8x0.8 mm: 27.0 mm

E: Quick-connect terminals 6.3x0.8 mm: 28.0 mm

E: Solder terminals short: 22.5 mm

E: Solder terminals long: 26.2 mm

Quick-connect or solder terminals, housing for V-Lock



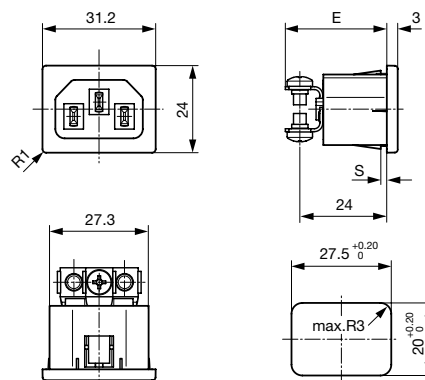
E: Quick-connect terminals 4.8x0.8 mm: 23.8 mm

E: Quick-connect terminals 6.3x0.8 mm: 24.8 mm

E: Solder terminals short: 19.3 mm

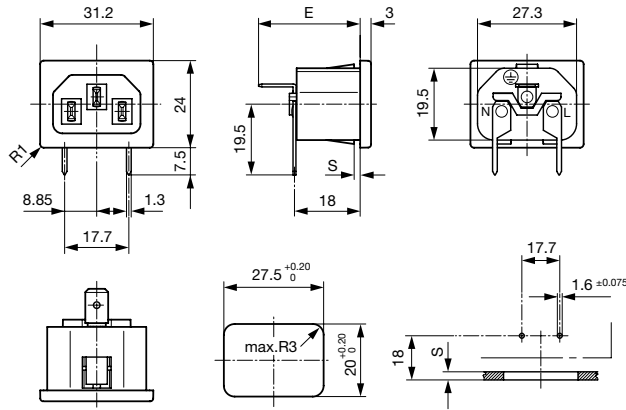
E: Solder terminals long: 23.0 mm

Screw terminals



E: Screw terminals M3.5: 28.0 mm

PCB terminals



- E: Quick-connect terminals 4.8x0.8 mm: 27.0 mm
- E: Quick-connect terminals 6.3x0.8 mm: 28.0 mm
- E: Solder terminals short: 22.5 mm
- E: Solder terminals long: 26.2 mm
- E: Screw terminals M3.5: 28.0

Config. Code

6010 - H - A B C 0 - D - E G 0

The characters are placeholders for the correspondingly keys of selections from the key tables.

6010 - **H** - A B C 0 - D - E G 0 = Type

Type	Configuration key
protection class 1	X

6010 - H - **A** B C 0 - D - E G 0 = Terminals

Terminal L	Configuration key
short solder terminal (L = 4.8 mm)	2
long solder terminal (L = 8.5 mm)	3
PCB-terminal (standard)	4
Blade terminal (4.8 x 0.8 mm)	8
Blade terminal (6.3 x 0.8 mm)	9
screw terminal	A

6010 - H - A **B** C 0 - D - E G 0 = Terminals

Terminal N	Configuration key
short solder terminal (L = 4.8 mm)	2
long solder terminal (L = 8.5 mm)	3

Symbols similar as in table A

Terminal N	Configuration key
PCB-terminal (standard)	4
Blade terminal (4.8 x 0.8 mm)	8
Blade terminal (6.3 x 0.8 mm)	9
screw terminal	A

Symbols similar as in table A

6010 - H - A B **C** 0 - D - E G 0 = Terminals

Terminal Ground	Configuration key
short solder terminal (L = 4.8 mm)	2
long solder terminal (L = 8.5 mm)	3
Blade terminal (4.8 x 0.8 mm)	8
Blade terminal (6.3 x 0.8 mm)	9
screw terminal	A

Symbols similar as in table A

6010 - H - A B C 0 - **D** - E G 0 = Color

Color	Configuration key
Black	A
Grey	B

6010 - H - A B C 0 - D - **E** G 0 = Style

Style	Configuration key
snap-in (x=panel thickness)	4

6010 - H - A B C O - D - E G O = Dimension X

Dimension "X"	Configuration key
10	
15	
20	
25	
30	
40	

The dimension "X" is displayed in ($\frac{1}{10}$ mm). This information is also valid for the order code

6010 - H - A B C O - D - E G O = Features

Features	Configuration key
without V-Lock	
V-Lock	V

All Variants

Config. Code	Description	Order Number
6010-X-2220-A-410	6010, IEC Appliance Inlet C14, 70°C, version: I, L: short solder terminal (L = 4.8 mm), N: short solder terminal (L = 4.8 mm), ground: short solder terminal (L = 4.8 mm), color: Black, design: snap-in (x=panel thickness), dimension X: 10, features: without V-Lock	6162.0012
6010-X-8880-A-410	6010, IEC Appliance Inlet C14, 70°C, version: I, L: Blade terminal (4.8 x 0.8 mm), N: Blade terminal (4.8 x 0.8 mm), ground: Blade terminal (4.8 x 0.8 mm), color: Black, design: snap-in (x=panel thickness), dimension X: 10, features: without V-Lock	6162.0019
6010-X-9990-A-410	6010, IEC Appliance Inlet C14, 70°C, version: I, L: Blade terminal (6.3 x 0.8 mm), N: Blade terminal (6.3 x 0.8 mm), ground: Blade terminal (6.3 x 0.8 mm), color: Black, design: snap-in (x=panel thickness), dimension X: 10, features: without V-Lock	6162.0023
6010-X-9990-A-415	6010, IEC Appliance Inlet C14, 70°C, version: I, L: Blade terminal (6.3 x 0.8 mm), N: Blade terminal (6.3 x 0.8 mm), ground: Blade terminal (6.3 x 0.8 mm), color: Black, design: snap-in (x=panel thickness), dimension X: 15, features: without V-Lock	6162.0024
6010-X-9990-A-420	6010, IEC Appliance Inlet C14, 70°C, version: I, L: Blade terminal (6.3 x 0.8 mm), N: Blade terminal (6.3 x 0.8 mm), ground: Blade terminal (6.3 x 0.8 mm), color: Black, design: snap-in (x=panel thickness), dimension X: 20, features: without V-Lock	6162.0025
6010-X-3330-A-410	6010, IEC Appliance Inlet C14, 70°C, version: I, L: long solder terminal (L = 8.5 mm), N: long solder terminal (L = 8.5 mm), ground: long solder terminal (L = 8.5 mm), color: Black, design: snap-in (x=panel thickness), dimension X: 10, features: without V-Lock	6162.0085
6010-X-8880-A-415V	6010, IEC Appliance Inlet C14, 70°C, version: I, L: Blade terminal (4.8 x 0.8 mm), N: Blade terminal (4.8 x 0.8 mm), ground: Blade terminal (4.8 x 0.8 mm), color: Black, design: snap-in (x=panel thickness), dimension X: 15, features: V-Lock	6162.0155
6010-X-9990-A-415V	6010, IEC Appliance Inlet C14, 70°C, version: I, L: Blade terminal (6.3 x 0.8 mm), N: Blade terminal (6.3 x 0.8 mm), ground: Blade terminal (6.3 x 0.8 mm), color: Black, design: snap-in (x=panel thickness), dimension X: 15, features: V-Lock	6162.0156
6010-X-2220-A-410V	6010, IEC Appliance Inlet C14, 70°C, version: I, L: short solder terminal (L = 4.8 mm), N: short solder terminal (L = 4.8 mm), ground: short solder terminal (L = 4.8 mm), color: Black, design: snap-in (x=panel thickness), dimension X: 10, features: V-Lock	6162.0161
6010-X-8880-A-410V	6010, IEC Appliance Inlet C14, 70°C, version: I, L: Blade terminal (4.8 x 0.8 mm), N: Blade terminal (4.8 x 0.8 mm), ground: Blade terminal (4.8 x 0.8 mm), color: Black, design: snap-in (x=panel thickness), dimension X: 10, features: V-Lock	6162.0162
6010-X-8880-A-425V	6010, IEC Appliance Inlet C14, 70°C, version: I, L: Blade terminal (4.8 x 0.8 mm), N: Blade terminal (4.8 x 0.8 mm), ground: Blade terminal (4.8 x 0.8 mm), color: Black, design: snap-in (x=panel thickness), dimension X: 25, features: V-Lock	6162.0165

The listed variants should be available from stock. Other versions on request www.schurter.com/contact

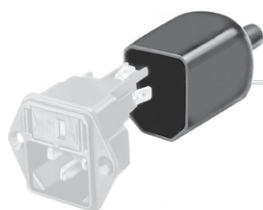
Most Popular.

Availability for all products can be searched real-time: <http://www.schurter.com/en/Stock-Check/Stock-Check-SCHURTER>

Packaging unit 50 Pcs

Accessories

Description



Assorted Covers
Rear Cover

Mating Outlets/Connectors

Category / Description



Appliance Outlet Overview complete

IEC Appliance Outlet F, Screw-on Mounting, Front Side, Solder Terminal	4787
IEC Appliance Outlet F, Snap-in Mounting, Front Side, Solder or Quick-connect Terminal	4788
IEC Appliance Outlet F or H, Screw-on Mounting, Front Side, Solder, PCB or Quick-connect Terminal	5091

[Appliance Outlet further types to 6010](#)

Connector Overview complete



IEC Connector C15A, Rewireable, Straight	0102
IEC Connector C15A, Rewireable, Straight	0102-G
IEC Connector C15A, Rewireable, Angled	0112
IEC Connector C13, Rewireable, Angled	4012
IEC Connector C13, Rewireable, Straight	4022

[Connector further types to 6010](#)

...



Power Supply or Interconnection Cord Overview complete

Diverse Power Supply and Interconnection Cords 10 A	Cord Sets 10 A
---	----------------

[Power Supply or Interconnection Cord further types to 6010](#)

Mating Outlets/Connectors shuttered



Power Cord Overview complete

Overview Power Supply Cord with IEC Connector C13, V-Lock, straight	VAC13KS
---	---------

[Power Cord further types to 6010](#)