

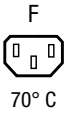
IEC Appliance Outlet F or H, Screw-on Mounting, Front Side, Solder, PCB or Quick-connect Terminal



Flange with countersunk holes



Flange with through holes special type



Description

- Panel Mount:
Screw-on mounting, from front side
- 1 Function:

- Connector, Pin temperature 70 °C, protection class I or II,
- Solder, Quick Connect or PCB Terminal

Approvals

- VDE Certificate Number: 40010295
- UL File Number: E57445
- CSA File Number: 27324

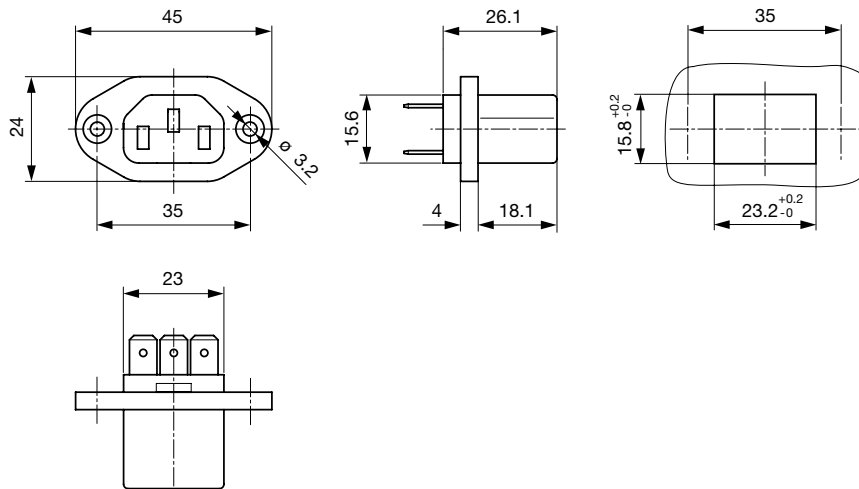
Weblinks

[pdf-datasheet](#), [html-datasheet](#), [General Product Information](#), [Approvals](#), [CE declaration of conformity](#), [RoHS](#), [CHINA-RoHS](#), [Mating Connectors](#), [e-Shop](#), [SCHURTER-Stock-Check](#), [Distributor-Stock-Check](#), [CAD-Drawings](#), [Accessories](#), [Detailed request for product](#)

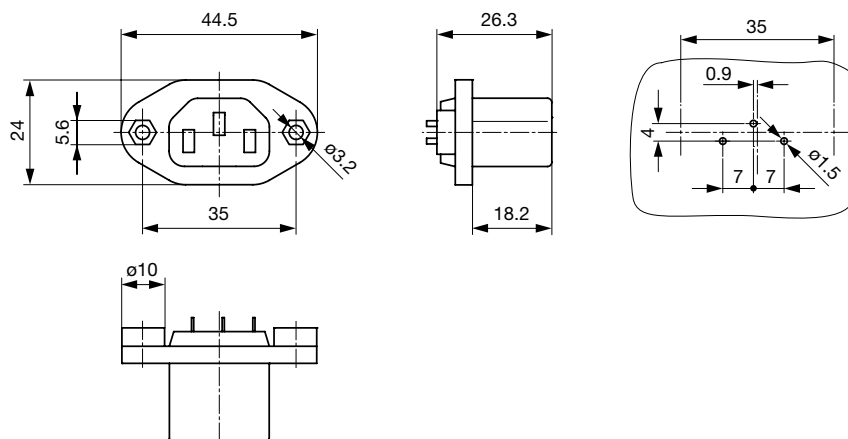
Technical Data

Ratings IEC	10A / 250VAC; 50Hz
Ratings UL/CSA	15A / 250VAC; 60Hz
Dielectric Strength	> 4kVAC between L-N > 2kVAC between L/N-PE (1 min/50Hz)
Allowable Operation Temp.	-25 °C to 70 °C
Degree of Protection	from front side IP 20 acc. to IEC 60529
Protection Class	Suitable for appliances with protection class I or II acc. to IEC 61140
Terminal	Solder, Quick Connect or PCB Terminal straight
Material: Housing	PA6, black or grey, UL 94V-0

Dimensions



Flange with countersunk holes



Flange with through holes special type

Config. Code

5091 - H - A B C 0 - D - E O

The characters are placeholders for the correspondingly keys of selections from the key tables.




5091 - H - A B C 0 - D - E O = Type

Type	Configuration key
protection class 2	B
protection class 1	X

Terminal Ground	Configuration key
solder terminal	1
PCB-terminal (standard)	4
Blade terminal (6.3 x 0.8 mm)	9

Symbols similar as in table A

5091 - H - A B C 0 - D - E O = Terminals

Terminal L	Configuration key
solder terminal 	1
PCB-terminal (standard) 	4
Blade terminal (6.3 x 0.8 mm) 	9

5091 - H - A B C 0 - D - E O = Color

Color	Configuration key
Black	A
Grey	B

5091 - H - A B C 0 - D - E O = Style

Style	Configuration key
flange with countersunk holes	1
flange with through holes	2
flange with through holes (special type)	7

5091 - H - A B C 0 - D - E O = Terminals

Terminal N	Configuration key
solder terminal	1
PCB-terminal (standard)	4
Blade terminal (6.3 x 0.8 mm)	9

Symbols similar as in table A

5091 - H - A B C 0 - D - E O = Features

Features	Configuration key
not used	0
dead cover	1
holder for 1 fuse (text legible, when inlet on top)	2
holder for 1 fuse (text legible, when inlet on bottom)	3
holder for 1 or 2 fuses (text legible, when inlet on top)	4
holder for 1 or 2 fuses (text legible, when inlet on bottom)	5

5091 - H - A B C 0 - D - E O = Terminals

Terminal Ground	Configuration key
without terminal	0

Symbols similar as in table A

Features	Configuration key	Features	Configuration key
voltage selector with 1 fuse	6	thermal circuit breaker for rated current 8A	C
voltage selector with 2 fuses	7	thermal circuit breaker for rated current 10A	D
thermal circuit breaker for rated current 4A	A	thermal circuit breaker for rated current 15A	E
thermal circuit breaker for rated current 6A	B	thermal circuit breaker for rated current 20A	F

All Variants

Config. Code	Description	Order Number
5091-X-1110-B-1	5091, IEC Appliance Outlet , 70°C, version: I, L: solder terminal, N: solder terminal, ground: solder terminal, color: Grey, design: flange with countersunk holes, dimension X:	6182.0002
5091-X-4440-A-7	5091, IEC Appliance Outlet , 70°C, version: I, L: PCB-terminal (standard), N: PCB-terminal (standard), ground: PCB-terminal (standard), color: Black, design: flange with through holes (special type), dimension X:	6182.0004
5091-X-4440-B-7	5091, IEC Appliance Outlet , 70°C, version: I, L: PCB-terminal (standard), N: PCB-terminal (standard), ground: PCB-terminal (standard), color: Grey, design: flange with through holes (special type), dimension X:	6182.0005
5091-X-9990-A-1	5091, IEC Appliance Outlet , 70°C, version: I, L: Blade terminal (6.3 x 0.8 mm), N: Blade terminal (6.3 x 0.8 mm), ground: Blade terminal (6.3 x 0.8 mm), color: Black, design: flange with countersunk holes, dimension X:	6182.0006
5091-X-9990-B-1	5091, IEC Appliance Outlet , 70°C, version: I, L: Blade terminal (6.3 x 0.8 mm), N: Blade terminal (6.3 x 0.8 mm), ground: Blade terminal (6.3 x 0.8 mm), color: Grey, design: flange with countersunk holes, dimension X:	6182.0008

The listed variants should be available from stock. Other versions on request www.schurter.com/contact

Most Popular.

Availability for all products can be searched real-time: <http://www.schurter.com/en/Stock-Check/Stock-Check-SCHURTER>

Packaging unit 100 Pcs

Mating Inlets/Plugs

Category / Description

Appliance Inlet Overview complete



IEC Appliance Inlet C14, Snap-in Mounting, Front Side, Solder or Quick-connect Terminal	0711
IEC Appliance Inlet C14, Snap-in Mounting, Solder, Quick-connect, Screw or PCB Terminal	6010
IEC Appliance Inlet C14, Screw-on Mounting, Front or Rear Side, Solder or Quick-connect or Screw-on Terminal	6048
IEC Appliance Inlet C14, Screw-on Mounting, Front Side, Solder or Quick-connect, PCB or Screw Terminal	6061
IEC Appliance Inlet C14, Screw-on Mounting, Front Side, Solder terminal, contacts and terminals gold-plated	6061-G

[Appliance Inlet further types to 5091](#) ...

Distribution Unit Overview complete



Distribution Unit for Snap-in Mounting with 1 IEC Appliance Inlet C14 and 1 Appliance Outlet F	0712
Distribution Unit with 1 IEC Appliance Inlet C14 or Power Cord, 5 or 6 IEC Appliance Outlets F and Extra Components	4740
Distribution Unit with 1 IEC Appliance Inlet C14 and 2 Appliance Outlets F, Shuttered	4741
Distribution Unit with 1 IEC Appliance Inlet C14 and 4 Appliance Outlets F	4747
EMC Power Strip with Line Filter	FLBB

[Distribution Unit further types to 5091](#)

Power Entry Module Overview complete



IEC Appliance Inlet C14 or C18 with Fuseholder 1- or 2-pole	1062
IEC Appliance Inlet C14 or C18 with Fuseholder 1- or 2-pole	1064
IEC Appliance Inlet C14 or C18 with Fuseholder 1- or 2-pole	4707
IEC Appliance Inlet C14 with Circuit Breaker TA35 2-pole	6135
IEC Appliance Inlet C14 with Circuit Breaker TA45	6145

[Power Entry Module further types to 5091](#) ...

Category / Description

[Power Entry Module with line filter Overview complete](#)

IEC Appliance Inlet C14 with Filter	5110
IEC Appliance Inlet C14 with Filter, Circuit Breaker TA45	5145
IEC Appliance Inlet C14 with Filter, Fuseholder 1-pole	5200
IEC Appliance Inlet C14 with Filter, Fuseholder 1- or 2-pole	5220
IEC Appliance Inlet C14 with Filter, Fuseholder 2-pole	8843-8
Power Entry Module with line filter further types to 5091	...