

Subminiature Fuse, 10 x 10 mm, 125 VAC, 125 VDC



UL 248-14 · 125VAC · 125VDC · Quick-Acting F



### Description

- Low Breaking Capacity

### Standards

- UL 248-14  
- CSA C22.2 no. 248.14

### Approvals

- UL File Number: E42088

### References

Corresponding Fuseholder 231651  
Last order date: 30.06.2014

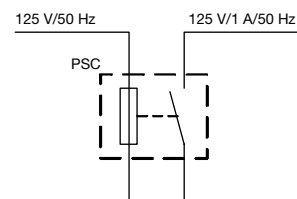
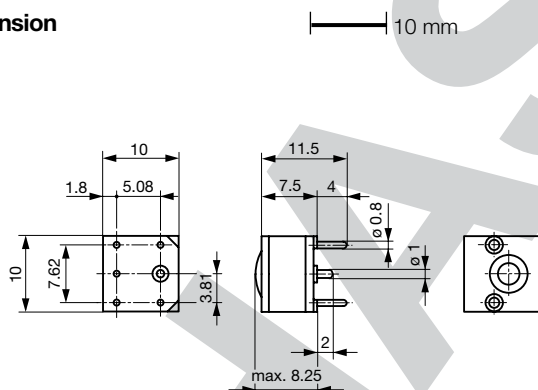
### Weblinks

[pdf-datasheet](#), [html-datasheet](#), [General Product Information](#), [Approvals](#), [CE declaration of conformity](#), [RoHS](#), [CHINA-RoHS](#), [e-Shop](#), [SCHURTER-Stock-Check](#), [Distributor-Stock-Check](#), [Detailed request for product](#)

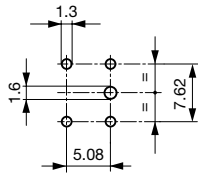
### Technical Data

Rated Voltage	125VAC, 125VDC	Soldering Methods	Iron, Iron
Rated current	1 - 5A	Solderability	235 °C / 2 sec acc. to IEC 60068-2-20, Test Ta, method 1
Breaking Capacity	50A	Resistance to Soldering Heat	260 °C / 5 sec acc. to IEC 60068-2-20, Test Tb, method 1A
Characteristic	Quick-Acting F		
Mounting	PCB, Through hole mounting		
Admissible Ambient Air Temp.	-55 °C to 125 °C		
Climatic Category	55/125/56 acc. to IEC 60068-1		
Unit Weight	2 g		
Storage Conditions	0 °C to 60 °C, max. 70% r.h.		
Product Marking	Type, Current, Circuits		

### Dimension



The PSC has a colour indication which facilitates a rapid localisation of the fault



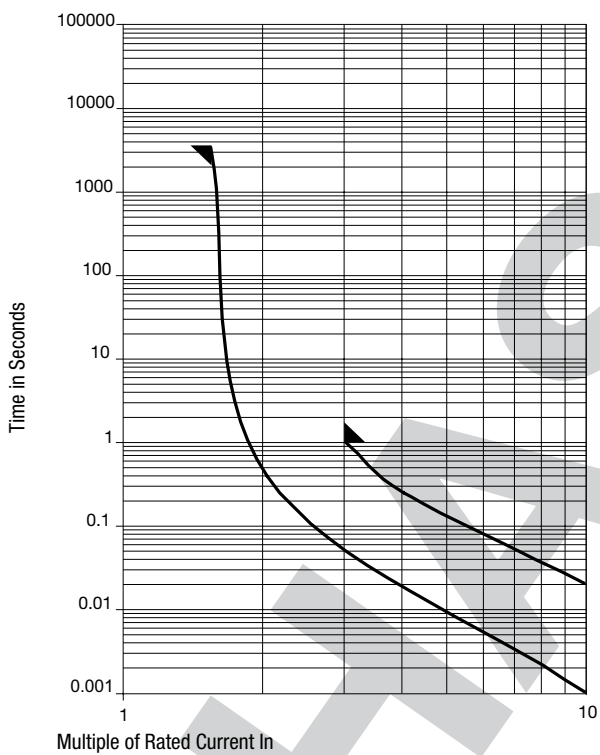
Drilling diagram

**Pre-Arcing Time**

Rated Current  $I_n$     1.5 x  $I_n$  min.    3.0 x  $I_n$  max.

1 A - 5 A	60 min	1 s
-----------	--------	-----

**Time-Current-Curves**



PRE-ARCS-OUT

All Variants

Rated Current [A]	Rated Voltage [VAC]	Rated Voltage [VDC]	Breaking Capacity	Voltage Drop 1.0 In typ. [mV]	Order Number
1	125	125	1)	100	● 7100.0160.xx
2	125	125	1)	80	● 7100.0170.xx
3	125	125	1)	70	● 7100.0180.xx
4	125	125	1)	70	● 7100.0190.xx
5	125	125	1)	70	● 7100.0200.xx

Availability for all products can be searched real-time:<http://www.schurter.com/en/Stock-Check/Stock-Check-SCHURTER>

1) 50 A @ 125 VAC/DC

**Packaging Unit** .xx = .71 Magazine (10 pcs.)