



Description

- Panel Mount:
Screw-on version from front or rear side, snap-in version from front side
- 4 Functions:
Appliance Inlet, Protection class I Line switch for bowdencable actuation, 2-pole Fuseholder with interchangeable fuse drawer for Fuse-links 5x20 mm or 6.3x32 mm, Voltage Selector
- Quick connect terminals 4.8 x 0.8 mm

Approvals

- VDE Certificate Number: 40011909
- UL File Number: E93617
- CSA File Number: 38456

Characteristics

- All single elements are already partially wired
- For added safety "Extra-Safe" fuse drawers are available
Fuse drawer meets requirements of medical standard IEC/EN 60601-1
The fuse drawer can only be opened with the aid of a tool
The fuseholder is accessible from the equipment front
- Suitable for use in equipment according to IEC/UL 60950

Other versions on request

- For protection class II

References

Alternative: version with line filter [CG-Bowdencable](#)

Weblinks

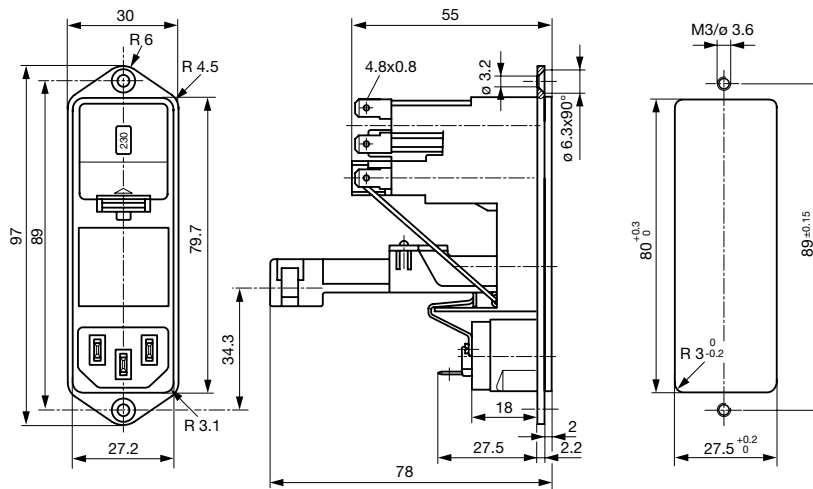
[pdf-datasheet](#), [html-datasheet](#), [General Product Information](#), [Approvals](#), [CE declaration of conformity](#), [RoHS](#), [CHINA-RoHS](#), [Mating Connectors](#), [e-Shop](#), [SCHURTER-Stock-Check](#), [Distributor-Stock-Check](#), [CAD-Drawings](#), [Accessories](#), [Detailed request for product](#)

Technical Data

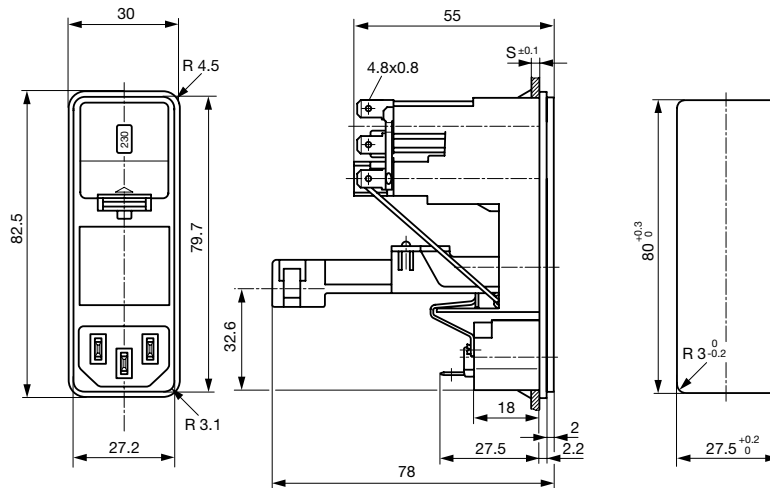
Ratings IEC	6 A / 250 VAC; 50 Hz	Appliance Inlet	C14 acc. to IEC 60320, UL 498, CSA C22.2 no. 42 (for cold conditions) pin-temperature 70 °C, 10 A, Protection Class I
Ratings UL/CSA	8 A / 125 VAC; 60 Hz	Fuseholder	1 or 2 pole, Shocksafe category PC2 acc. to IEC 60127-6, for fuse-links 5 x 20 or 6.3 x 32 mm
Allowable Operation Temp.	-25 °C to 70 °C	Rated Power Acceptance @ Ta 23 °C	5 x 20: 2.5 W (1 pole)/ 2 W (2-pole) per pole 6.3 x 32: 3.15 W (1 pole)/ 2.5 W (2-pole) per pole
Degree of Protection	from front side IP 40 acc. to IEC 60529	Power Acceptance @ Ta > 23 °C	Admissible power acceptance at higher ambient temperature see derating curves
Protection Class	Suitable for appliances with protection class I acc. to IEC 61140	Line Switch	Switch for bowdencable 2-pole, non-illuminated, acc. to IEC 61058-1 Technical Details
Terminal	Quick connect terminals 4.8 x 0.8 mm	Voltage Selector	series-parallel, 4, 3 or 2 switch positions or usable as 2-pole change-over switch
Panel Thickness s	Screw: max 8 mm Mounting screw torque max 0.5 Nm Snap-in: 1.5/2/2.5 mm		
Material: Housing	Thermoplastic, black, UL 94V-0		

Dimensions

Screw-on mounting



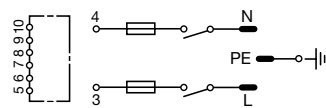
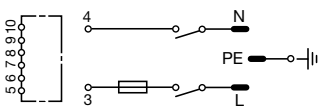
Snap-in mounting



Diagrams

with partial wired

with partial wired



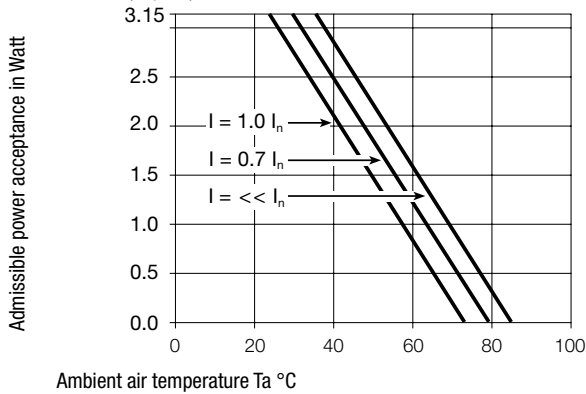
1-pole

2-pole

Derating Curves

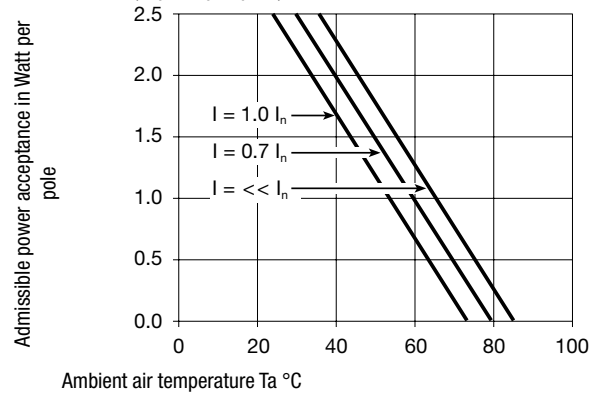
Fuses

6.3 x 32 mm (1-pole)



Fuses

6.3 x 32 mm (2-pole, per pole)



All Variants

Type	Panel mounting	Panel Thickness s [mm]	Fuseholder	Line Switch	Order Number
KG-Bowdenzug	Screw	-	1-pole	Switch for bowdencable	KG15.6199.151
KG-Bowdenzug	Screw	-	2-pole	Switch for bowdencable	KG10.6199.151
KG-Bowdenzug	Snap-in	1.5	1-pole	Switch for bowdencable	KG15.6199.105
KG-Bowdenzug	Snap-in	1.5	2-pole	Switch for bowdencable	KG10.6199.105

Availability for all products can be searched real-time: <http://www.schurter.com/en/Stock-Check/Stock-Check-SCHURTER>

Packaging unit 10 Pcs

Required Accessory

Description



Bowdencables incl. accessory
Bowden Cable for Power Entry Modules



Jumper Wire 1
Connection with Stranded Cable



Fusedrawer 1
Fusedrawer for Fuse Links 5x20 mm resp. 6.3x32 mm

Description



Voltage Selectors Insert 1
 Voltage Selector Insert to KE, CE, KG, CG

Accessories



Cord retaining kits
 Cord retaining strain relief

Mating Outlets/Connectors

Category / Description



Appliance Outlet Overview complete

IEC Appliance Outlet F, Screw-on Mounting, Front Side, Solder Terminal	4787
IEC Appliance Outlet F, Snap-in Mounting, Front Side, Solder or Quick-connect Terminal	4788
IEC Appliance Outlet F or H, Screw-on Mounting, Front Side, Solder, PCB or Quick-connect Terminal	5091

[Appliance Outlet further types to KG-Bowdencable](#)

Connector Overview complete



IEC Connector C15A, Rewireable, Straight	0102
IEC Connector C15A, Rewireable, Straight	0102-G
IEC Connector C15A, Rewireable, Angled	0112
IEC Connector C13, Rewireable, Angled	4012
IEC Connector C13, Rewireable, Straight	4022

[Connector further types to KG-Bowdencable](#)