

1.8A High Power Micro USB Power Supplies

PowerPax



Part number SW4546
USA version



Part number SW4547
Australian version



Part number SW4544
UK version



Part number SW4545
Euro version

The maximum current rating of a Micro USB type B connector is 1 amp per pin or 1.8 amps through pins 1 and 5. This range of plug top Micro USB power supplies is rated to the 1.8 amp maximum that the micro USB connector can accommodate. This 5vdc 1.8A Micro USB power supply range comes as a choice of 4 models. UK, European, USA and Australian versions. Suitable for a wide range of applications. This range provides a highly efficient output meeting the very latest ErP stage 2 requirements and each model is safety approved. Short circuit and over current protection as standard. This micro USB power supply has M.T.B.F of 50K hours at 25 degrees C.

Part Numbers	4 models—see above
Output	5vdc 1.8A maximum
Current Min.	0.01A
Power	9 Watts
Line Reg	+/-5% at rated load
Total Output Regulation	+/-5 % at 0—100% load
Ripple & Noise (mV p-p)	100mV P-P
Protections	Over Current and Short Circuit
Case Size	See page 2
Weight (approx.)	110g Euro, 120g UK
DC Cord	1.8 Metres
DC Plug	Micro USB
Rated Input Voltage	100-240Vac
Full Input Voltage Range	90-264Vac
Rated Frequency	50-60Hz
Full Frequency Range	47-63Hz
Efficiency	72.58% Minimum- UK version

Leakage Current	shall not exceed 0.25mA
Input Power	13.05W max
Input Current (RMS Max.)	0.4A max
Hi-Pot Spec	3000Vac 10mA 1 min. (I.P. to O.P.)
Output cable	1.8 Metres 20AWG 3.5Q round
Operating Temperature	0 to 40 degrees C
Storage Temperature	-20 to 80 degrees C
Operating Humidity	10% to 90%
Safety Approvals	BS EN60950-1 / CE marked TUV/VDE, TCA AS/NZ60950 UL 60950, CSA C22.2 No 950
EMC Standards	EN55022:2010 Class B / FCC Part B / GB9254-2008
MTBF	50K Hours at 25 degrees C
Polarity	Pin 1 +, Pin 5 -
MTBF	50K Hours at 25 degrees C
Plastic Case	UL94V-1

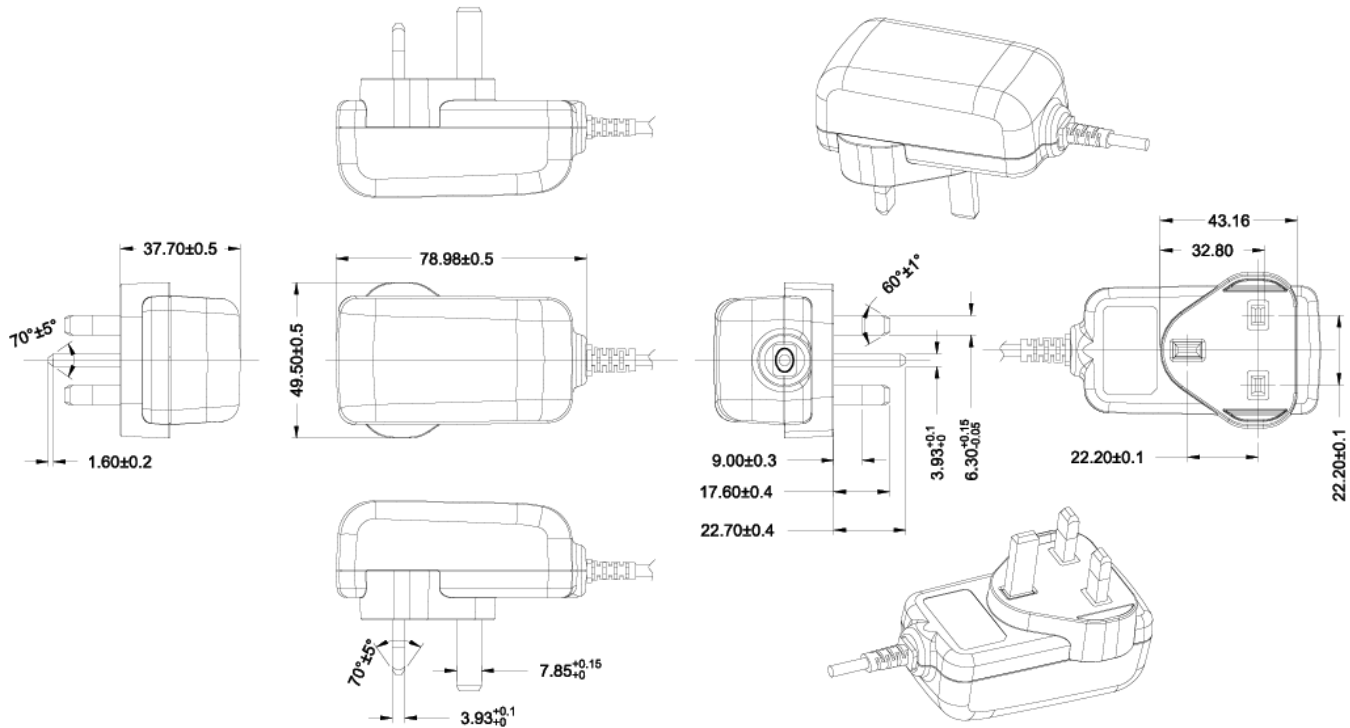
See mechanical drawings on following pages.

Full spec sheet on this PSU is available on request. PowerPax Ltd accepts no responsibility for typographical errors in the production of this leaflet. Product specifications are subject to change without notice

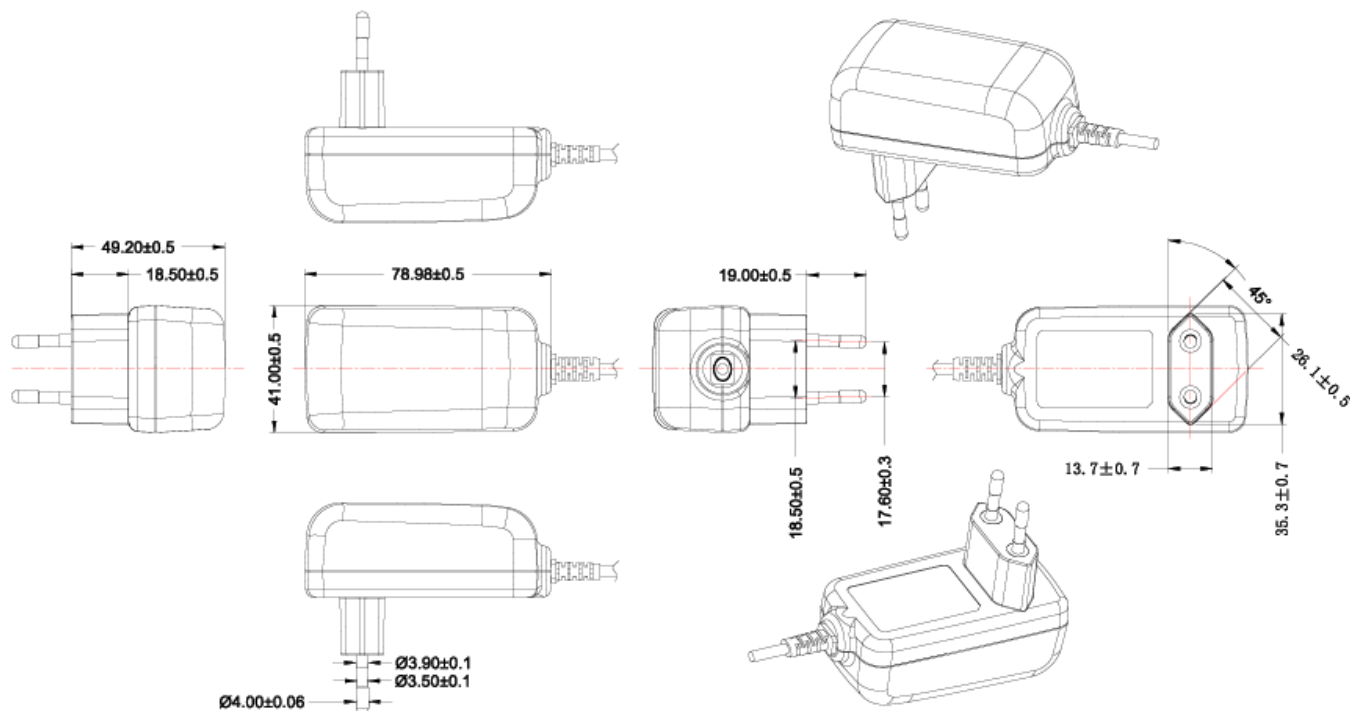


1.8A High Power Micro USB Power Supplies

Mechanical drawing: UK Version (Part number SW4544)

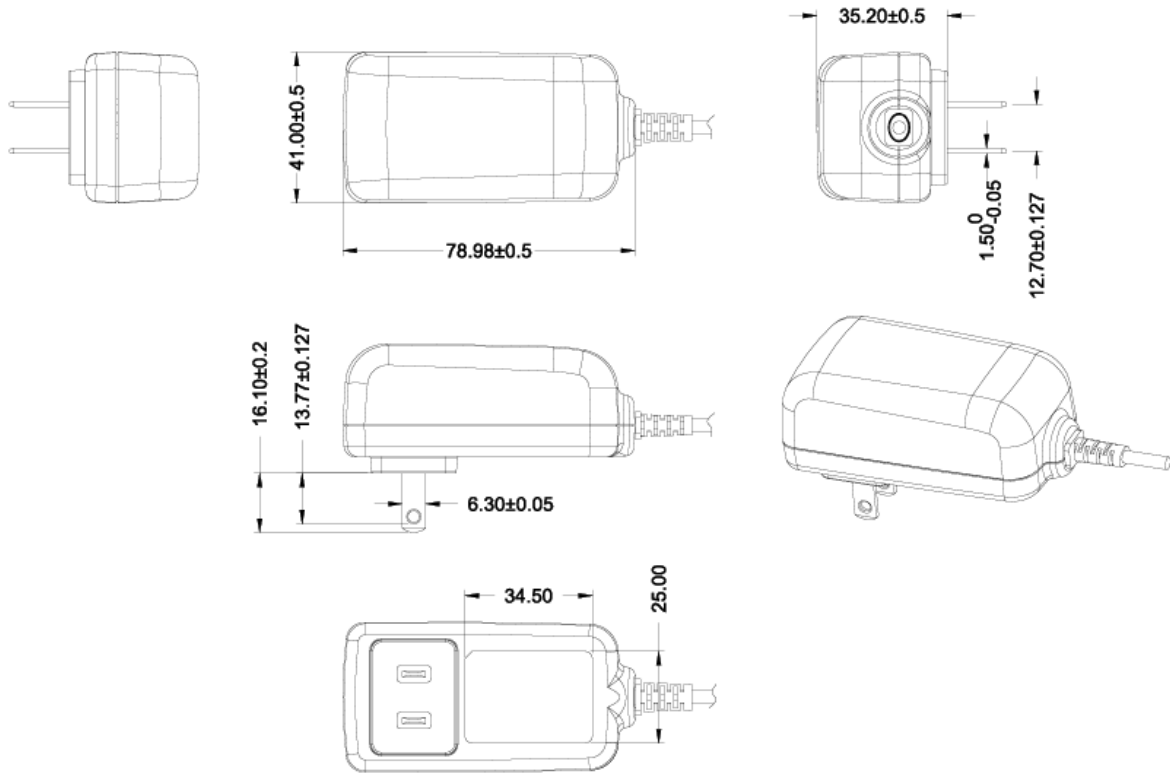


Mechanical drawing: Euro Version (Part number SW4545)

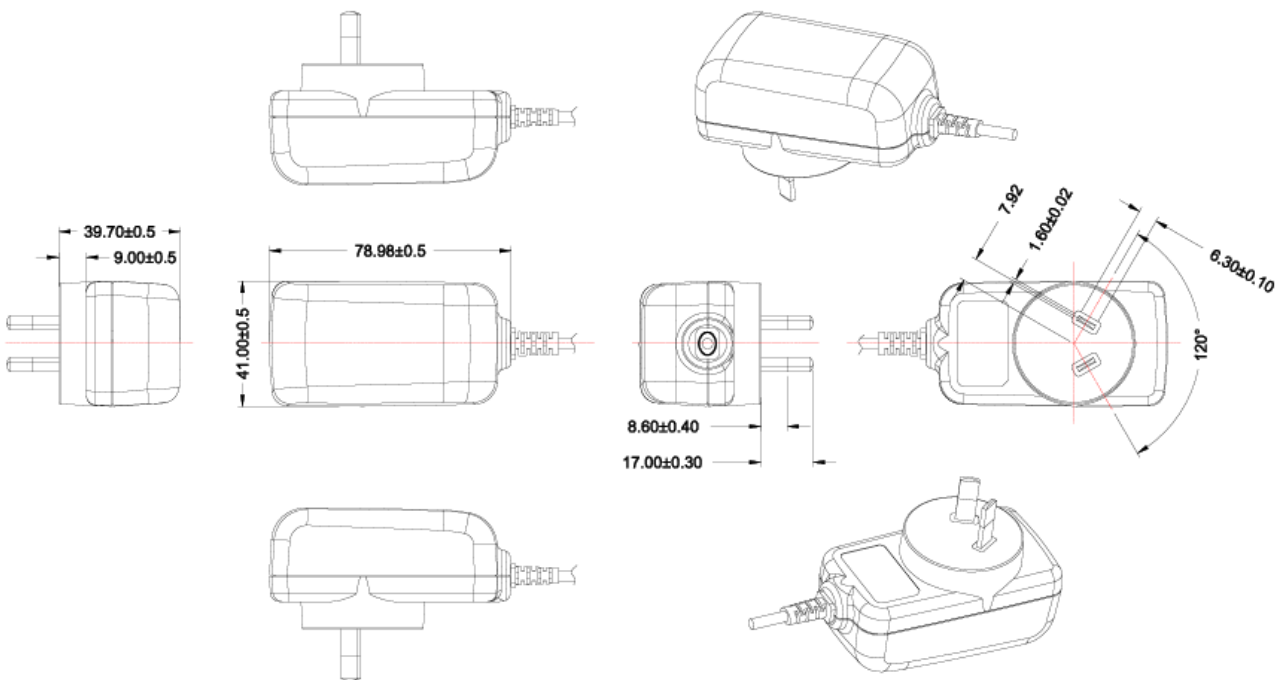


1.8A High Power Micro USB Power Supplies

Mechanical drawing: USA Version (Part number SW4546)



Mechanical drawing: Australian Version (Part number SW4547)



1.8A High Power Micro USB Power Supplies



Mechanical drawing: Output cable

