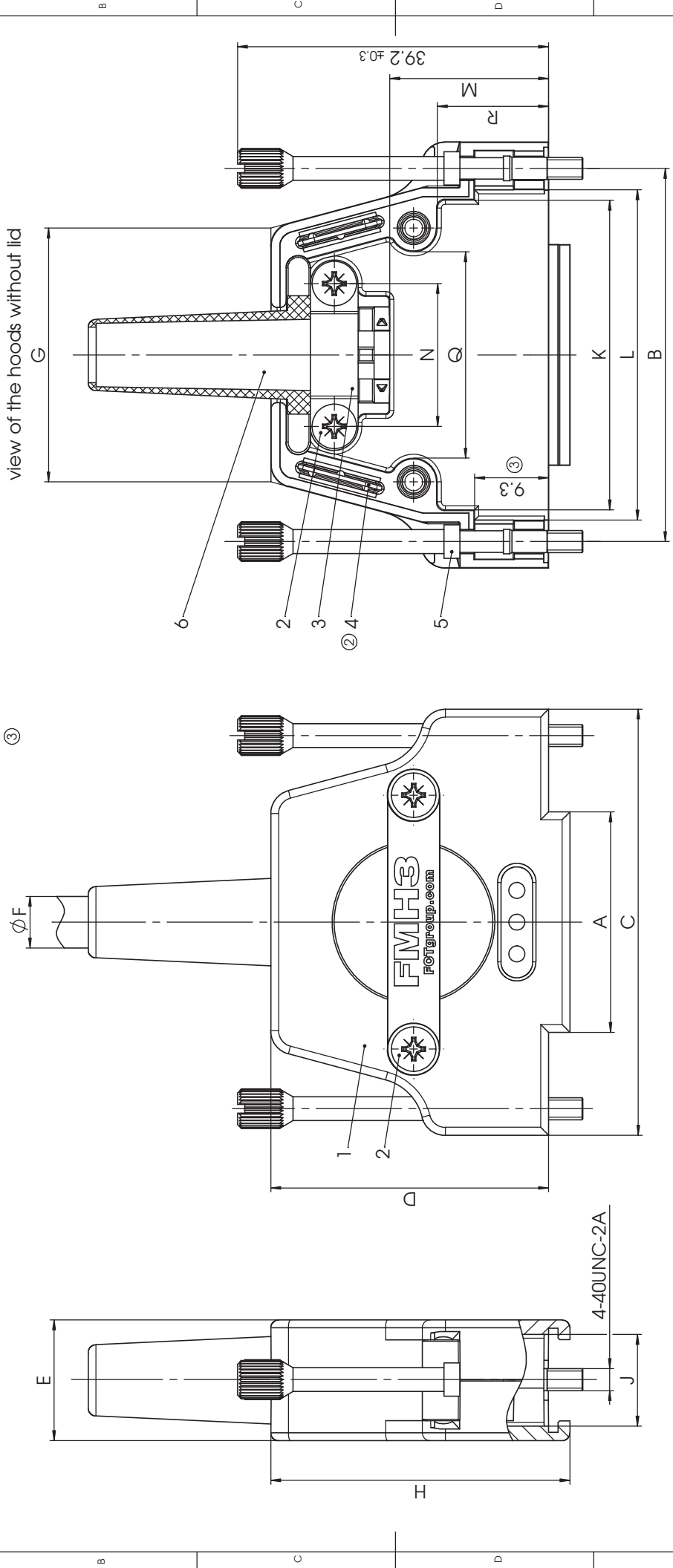


Order-No.	Shell Size / for No. of Contacts	A	B	C	D	E	$\phi F1$ min - max	$\phi F2$ Rubber bushing max 1	G	H	J	K	L	M	N	Q	R
FMH1R	1 / 9	10	25	31.7	30	15	5 - 8	FKT1-2	19.7	32.7	11.4	17	19.6	14.2	12	-	13
FMH2R	2 / 15	16.1	33.3	40	32	15	5 - 8.5	FKT1-2	21.8	34.7	11.4	25.5	27.8	16	12	14	13.1
FMH3R	3 / 25	27.8	47	53.7	35	15	9 - 11	FKT3-4	32	37.7	11.4	39	41.6	20	18	26.1	14
FMH4R	4 / 37	44.4	63.5	70.2	41	15	8.5 - 11	FKT3-4	50	43.7	11.4	55.6	58	26	18	45	19
FMH5R	5 / 50	42	61.1	67.8	41	17.7	10 - 12.5	FKT5	48	43.7	14.3	53.4	55.7	26	18	42.6	19



No.	St.	Part	Type Description / Material
6	1	Rubber bushing	Elastomer
5	2	Knurled thumb screw	FRS1/5 4-40 / Brass
4	2	Plate insert	Plastic
3	1	Cable clamp	Steel
2	4	Screw	Case hardened steel
1	1	Hood	FMH1-5 / Zinc die-cast

Measurement without tolerance acc. to ISO 2768-m		SCALE	TITLE
NAME / DATE	Anke Meyer-Richter	2:1	
DRAWN	Beate Willek		
CHECKED	04.03.2013		
3	20-02-2013	23399	
2	04-12-2012	23335	
1			

max. torque are 40 Ncm
Part-No. 6 not mounted

Metal Hood

REV.	DWG. NO.	REPLACEMENT FOR:	PAGES
3	FMH1-5R	FMH1-5R.ACAD	1