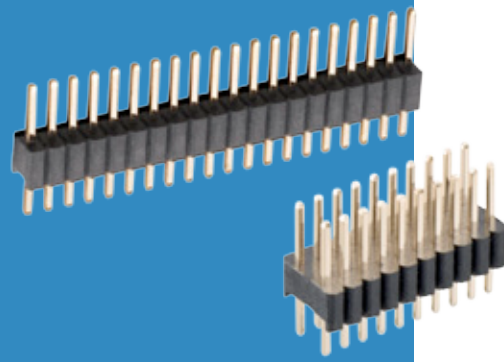


# Archer Connectors – M52

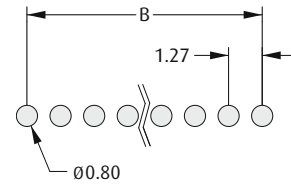
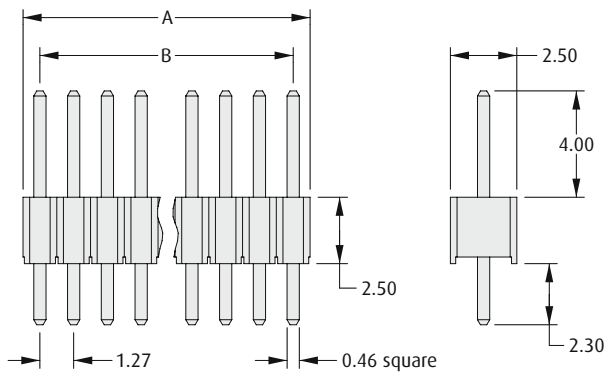


## Male Vertical PC Tail

- Suitable for use with female connectors shown on pages 118 to 119.
- For alternative pin lengths, see pin header variants on page 122.



### SINGLE ROW

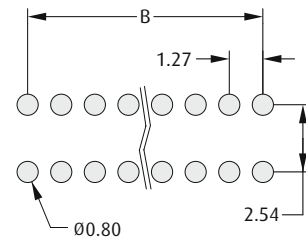
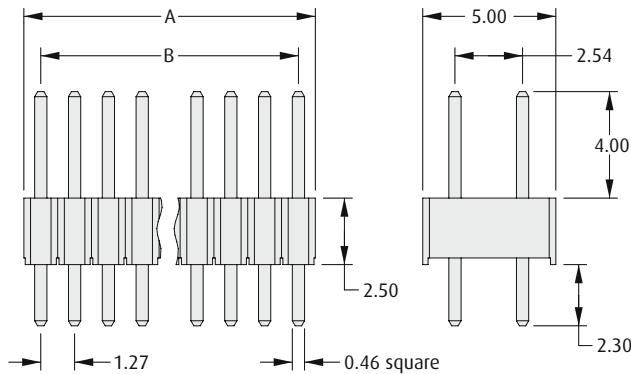


Recommended PC Board Pattern

### CALCULATION

<b>A</b>	1.27 x No. of contacts per row
<b>B</b>	1.27 x (No. of contacts per row - 1)

### DOUBLE ROW



Recommended PC Board Pattern

### HOW TO ORDER

**M52 - 040023 X XX 45**

#### SERIES CODE

#### CONNECTOR TYPE

<b>V</b>	Single Row
<b>W</b>	Double Row

#### FINISH

**45** Gold

#### NO. OF CONTACTS PER ROW

**05, 10, 20, 25**

All dimensions in mm.

1.27mm (.050") PITCH