

KSC4D Series Sealed Detect Switch for SMT

Features/Benefits

- Soft actuator
- J or G terminations
- Tape & reel
- IP 67
- RoHS compliant and compatible

Typical Applications

- Automotive
- Cellular phones
- Industrial electronics
- Computer infrastructure and IT



Specification

FUNCTION: momentary action compatible with permanent actuation
CONTACT ARRANGEMENT: 1 make contact = SPST, N.O.
TERMINALS: J bend & Gullwing type for SMT

Electrical

OPERATING TEMPERATURE: -40°C to 85°C
STORAGE TEMPERATURE: -55°C to 85°C

Silver

Mechanical

Type	Operating force FA Newtons (grams)	Operating life (operations)	Travel (mm)
KSC4D2J50SH	1,0 - 3,0 ≈ (100 - 300)√	2,000,000	0,35 ± 0,85

Process

SOLDERING:
- Infrared Reflow according to free soldering process with IEC 61760-1.

Packaging

Reels of 1,000 pieces. Dimensions of reels according to EIA RS481 or IEC 60286-3. External diameter 330 mm ± 2 mm.

Electrical

MAXIMUM POWER: 1 VA
MAXIMUM VOLTAGE: 32 VDC
MINIMUM VOLTAGE: 20 mV
MAXIMUM CURRENT: 50 mA
MINIMUM CURRENT: 1 mA
DIELECTRIC STRENGTH (50 Hz, 1 min.): 250 V
CONTACT RESISTANCE: < 100 mΩ
INSULATION RESISTANCE (100 V): > 10⁹ Ω
BOUNCE TIME: < 1 ms

Silver

NOTE: Part numbers listed above do not represent all possible configurations. For information on specific and custom switches, consult Customer Service Center.

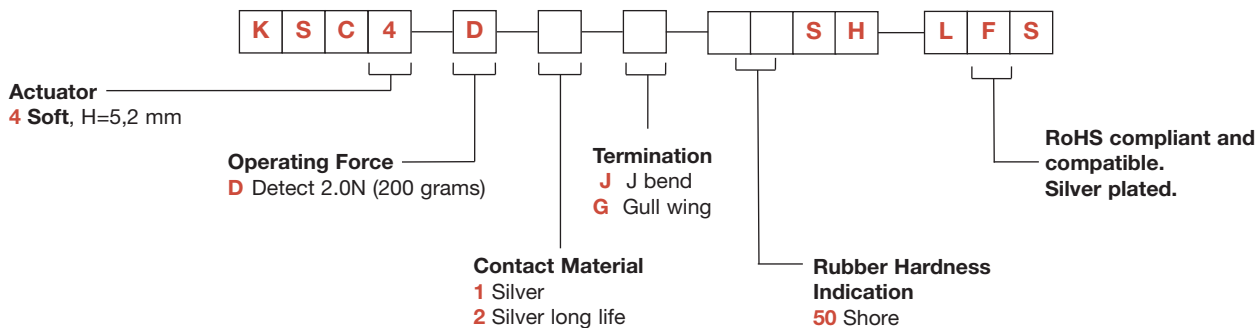
This data sheet does not provide enough information for applications which require a certain level of quality or safety such as automotive, medical systems, safety equipment. Please contact your sales representative to get contractual specification package.

How To Order

Our easy build-a-switch concept allows you to mix and match options to create the switch you need. To order, select desired option from each category and place it in the appropriate box.

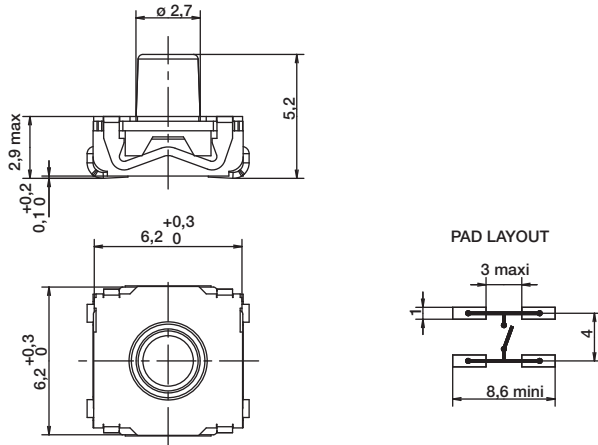
However, please note that all the combinations of these options are not feasible.

For any part number different from those listed above, please consult your local representative.

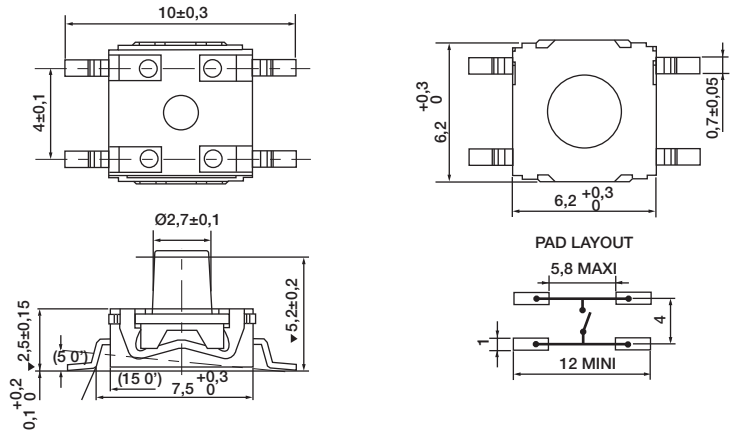


KSC4D Series Sealed Detect Switch for SMT

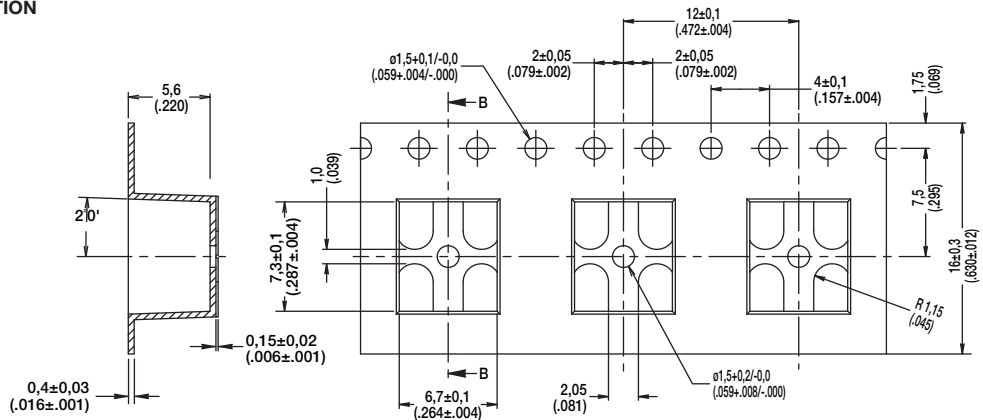
KSC4D1J SOFT, 5,2 mm high



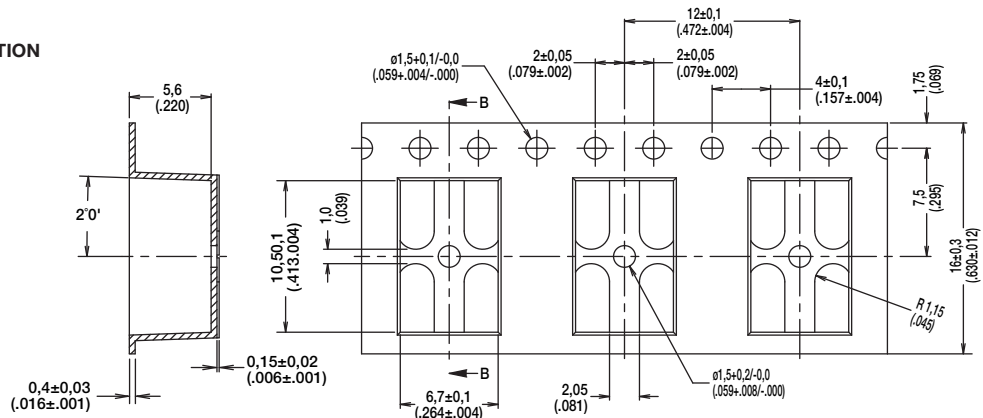
KSC4D1G SOFT, 5,2 mm high



FOR KSC4 FOR J TERMINATION



FOR KSC4 FOR G TERMINATION



Detect



First Angle
Projection

Dimensions are shown: mm
Specifications and dimensions subject to change

