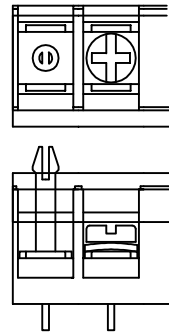


TERMINAL AND COVER

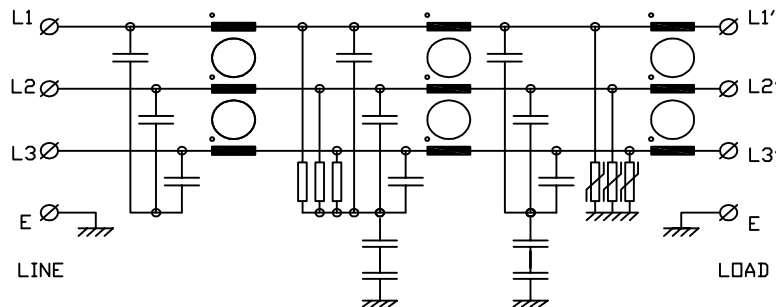


SPECIFICATION

VOLTAGE 500VAC
 FREQUENCY 50/60Hz
 CURRENT 16A @ 50 deg C
 OVERLOAD CURRENT 150% 1MIN. 200% 1SEC
 TEMPERATURE -25 TO 85 deg C
 LEAKAGE CURRENT:-
 AS PER IEC950 = 80mA @ 415V 50Hz
 HUMIDITY 90% RH
 VIBRATION 10-200Hz 1.8G
 SURGE 4kV 1.2/50µs
 ELECTRIC STRENGTH 2500VAC/1min.
 POWER LOSS (FULL LOAD) = 10W
 TERMINALS M4 SCREW CROSS/SLOT 2 X 2.5mmsq
 WEIGHT 1.6kg
 BACK MOUNTING 4x M4
 SIDE MOUNTING 2x M6

FILTER MEASURED AT 1KHz

TOTAL L=3.5mH, X CAP=3.3µF, Y CAP=874nF, RES=440K Ωhm



ATTENUATION

COMMON MODE - 80dB AT 150kHz
 DIFFERENTIAL MODE - 50dB AT 150kHz
 DESIGNED TO MEET EN55022B (DOMESTIC)
 WHEN SCREENED MOTOR CABLE USED

CONSTRUCTION

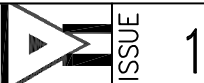
PERFORATED ALUMINIUM BODY FOR AIR COOLING,
 ALL COMPONENTS PCB MOUNTED

DrgNo MIF316-GS

TITLE THREE PHASE 500V 16A MAINS FILTER

ALL DIMENSIONS IN MM
 ANGLES IN DECIMAL DEGREES

ROXBURGH EMC



ISSUE 1

GENERAL SPECIFICATION
 FOR MIF316

CUSTOMER

REFERENCE

Aprvd Date 10/03/03

Aprvd By JRT

Drwn by SW

Scale: NTS

Sheet 1 / 1

Sheet 1 / 1