

Connector - SACC-M 8MS-3CON-M - 1681156

Please be informed that the data shown in this PDF Document is generated from our Online Catalog. Please find the complete data in the user's documentation. Our General Terms of Use for Downloads are valid (<http://phoenixcontact.com/download>)




Sensor/actuator connector, male, straight, 3-pos., M8, solder connection, metal knurl, cable diameter max. 5 mm

Why buy this product

- Safe use in the field, thanks to a high degree of protection
- Flexible: connectors for on-site assembly



Key commercial data

Packing unit	1 pc
GTIN	 4 017918 157500
Weight per Piece (excluding packing)	8.65 g
Custom tariff number	85366990
Country of origin	Germany
Product key	BF2BIA

Technical data

Dimensions

External diameter	3.5 mm ... 5 mm
Stripping length of the sheath	12 mm
Stripping length of the individual wire	3 mm

Ambient conditions

Ambient temperature (operation)	-40 °C ... 85 °C
Degree of protection	IP67

General

Rated current at 40°C	4 A
Rated voltage	60 V
Number of positions	3
Contact resistance	≤ 3 mΩ

Connector - SACC-M 8MS-3CON-M - 1681156

Technical data

General

Insulation resistance	≥ 100 MΩ
Coding	A - standard
Standards/regulations	M8 connector IEC 61076-2-104
Status display	No
Surge voltage category	II
Pollution degree	3
Connection method	Solder connection
Conductor cross section	0.08 mm ² ... 0.34 mm ²
AWG conductor cross section	28 ... 22
Insertion/withdrawal cycles	≥ 100
Torque	0.2 Nm (M8 knurl)

Material

Inflammability class according to UL 94	V0
Contact material	Cu alloy
Contact surface material	Au
Contact carrier material	PUR / PA66
Material of grip body	PBT
Material, knurls	Nickel-plated brass
Sealing material	NBR

Classifications

eCl@ss

eCl@ss 4.0	27140815
eCl@ss 4.1	27140815
eCl@ss 5.0	27260701
eCl@ss 5.1	27260701
eCl@ss 6.0	27279221
eCl@ss 7.0	27440104
eCl@ss 8.0	27440104

ETIM

ETIM 2.0	EC001121
ETIM 3.0	EC002062
ETIM 4.0	EC002062
ETIM 5.0	EC002062

UNSPSC

UNSPSC 6.01	31251501
UNSPSC 7.0901	31251501
UNSPSC 11	31251501

Connector - SACC-M 8MS-3CON-M - 1681156

Classifications

UNSPSC

UNSPSC 12.01	31251501
UNSPSC 13.2	31251501

Approvals

Approvals

Approvals

GOST / GOST

Ex Approvals

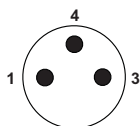
Approvals submitted

Approval details

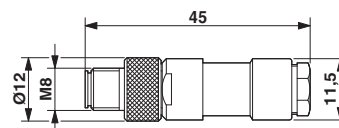


Drawings

Schematic diagram



Dimensioned drawing

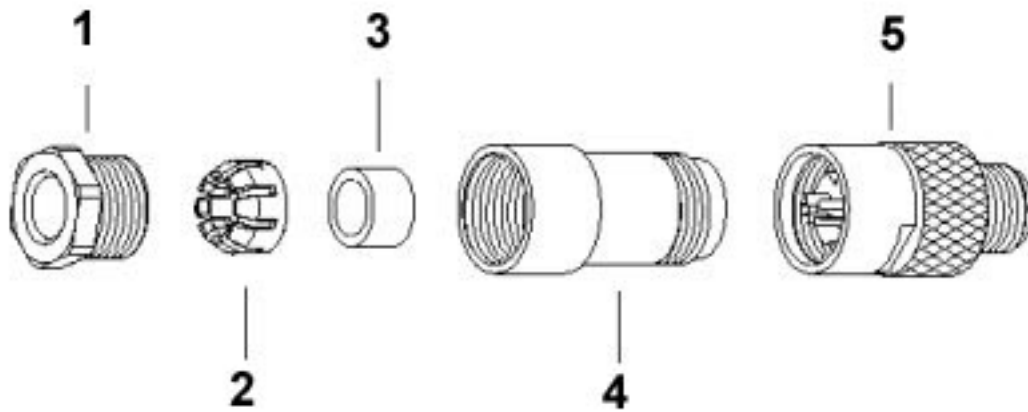


Pin assignment M8 male connector, 3-pos.

M8 x 1 male plug, straight version

Connector - SACC-M 8MS-3CON-M - 1681156

Schematic diagram



- 1 = pressure screw
- 2 = clamp-type cage
- 3 = gasket
- 4 = housing
- 5 = male or female insert