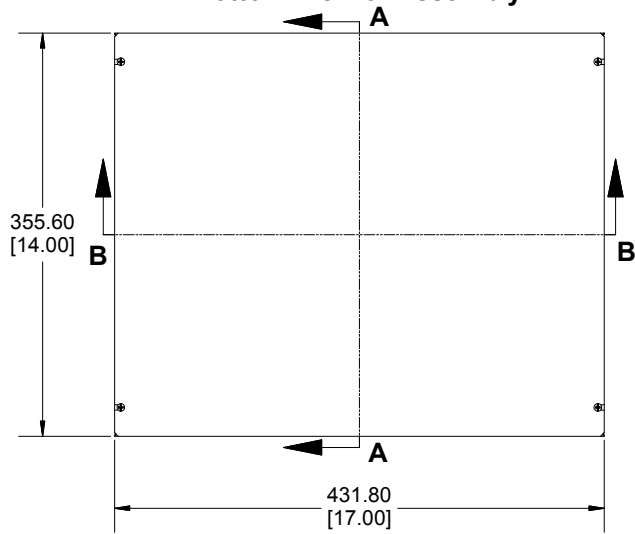
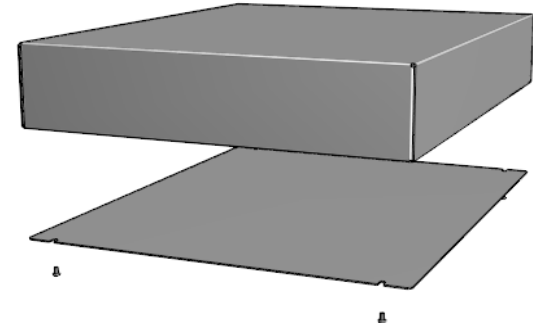
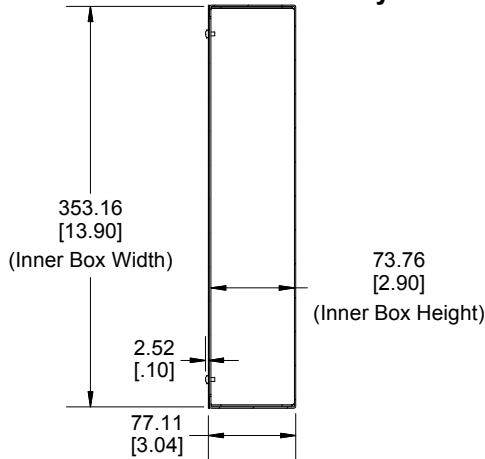


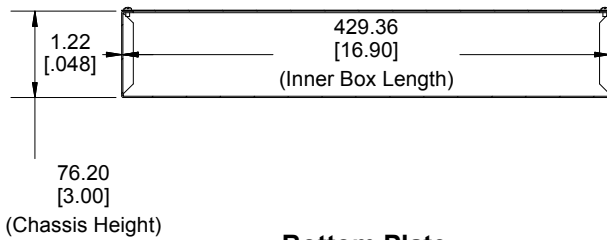
**Bottom View of Assembly**



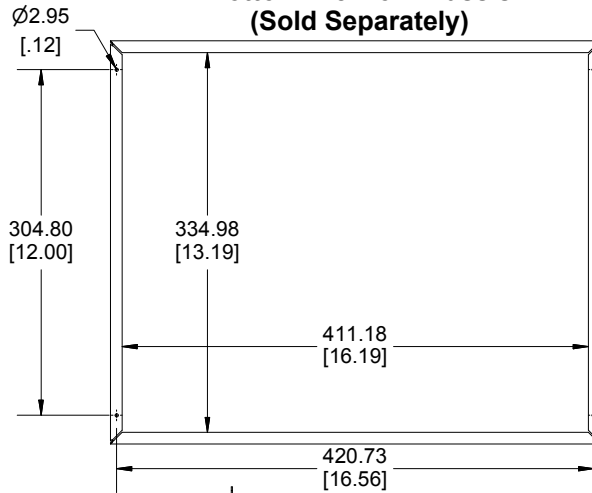
**SECTION A-A  
End View of Assembly**



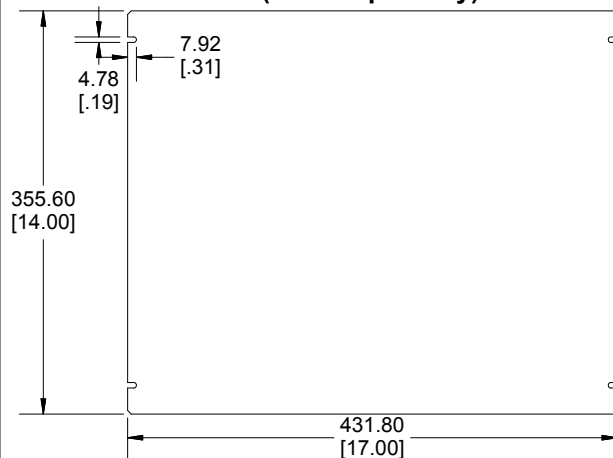
**SECTION B-B  
Side View of Assembly**



**Bottom View of Chassis  
(Sold Separately)**



**Bottom Plate  
(Sold Separately)**



Enclosures can be Factory Modified ( Milling, Drilling, Printing etc.)  
Contact Factory [mjm@hammondmfg.com](mailto:mjm@hammondmfg.com) for quotes  
Solid models of this enclosure available in STEP or IGES.

**NOTE**

All Components Sold Separately  
Chassis is Made of 0.048" Steel.  
Bottom Plate is Made of 0.036" Steel.

**PART NUMBERS**

<b>1441-38 Enclosure</b>	
<b>ASA 61 Grey Chassis</b>	1441-38
<b>Satin Black Chassis</b>	1441-38BK3
<b>ACCESSORIES</b>	
<b>ASA 61 Grey Bottom Plate</b>	1431-38
<b>Satin Black Bottom Plate</b>	1431-38BK3
<b>Natural Finish Cover Screws (Pkg 6)</b> [6-32 x 1/4" Self-Tapping Screws]	1421J6
<b>Black Cover Screws (Pkg 6)</b> [6-32 x 1/4" Self-Tapping Screws]	1421J6BK

**HAMMOND  
MANUFACTURING™**  
**1441-38**  
[www.hammondmfg.com](http://www.hammondmfg.com)

Dimensions:  
mm  
[inches]

.91  
[.036]