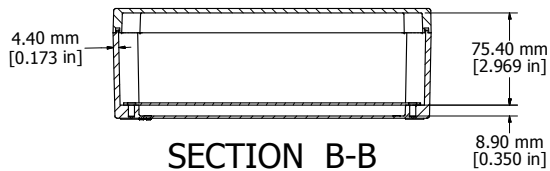
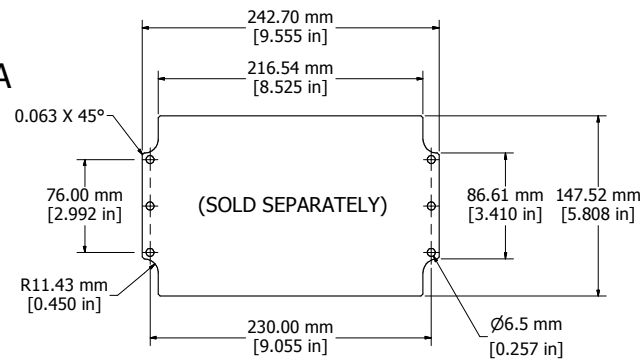


ASSEMBLY

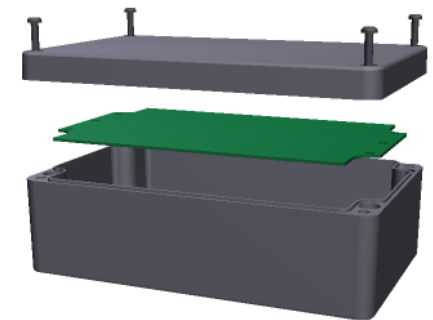
SECTION A-A



SECTION B-B

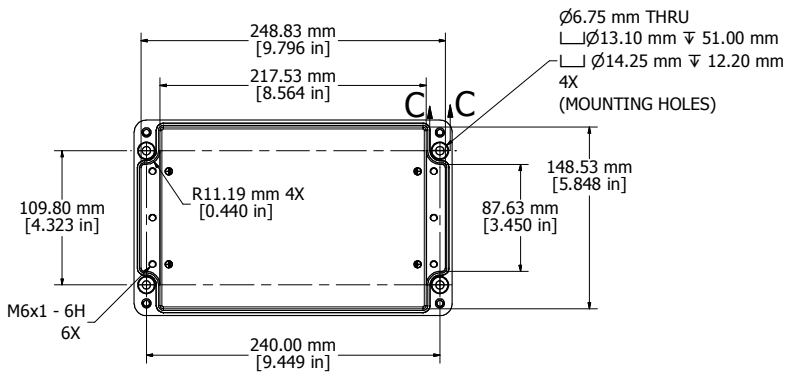


1590Z162PL

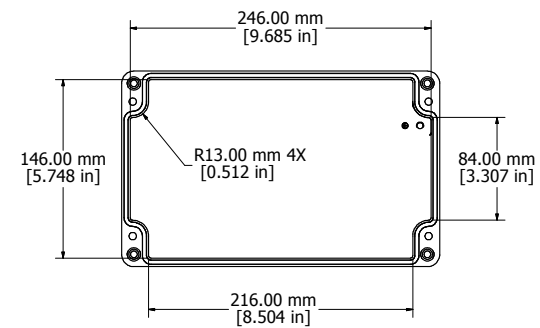


Enclosures can be Factory Modified ( Milling, Drilling, Printing etc. )  
 Contact Factory [mjm@hammondmfg.com](mailto:mjm@hammondmfg.com) for quotes  
 Solid models of this enclosure available in STEP or IGES.

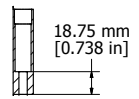
NOTES	
Purchased assembly includes enclosure, M6x35 lid screws and M6x10 ground screws.	
Gasket - Preformed Silicone Rubber	
Cover screws should be torqued to 15-17 lbf.in (150-170 cN.m)	



BOX - INSIDE



LID - INSIDE



SECTION C-C

1590Z162	
PART NUMBERS	
Basic Enclosure	1590Z162
Black Enclosure	1590Z162BK
Grey Enclosure - RAL7001 Gloss	1590Z162GY
ACCESSORIES	
Inner Panel	1590Z162PL

