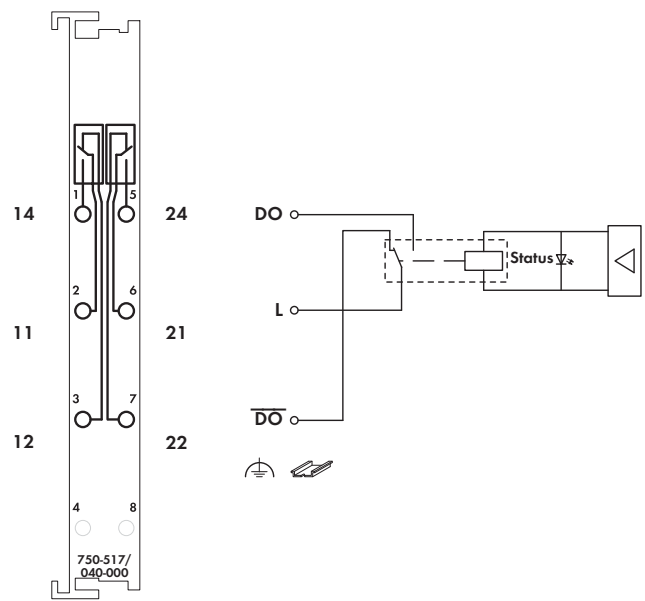
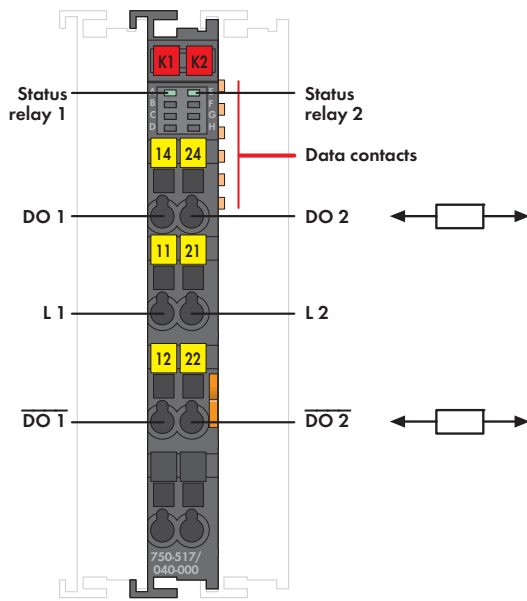


2-Channel Relay Output Module 230 VAC, 300 VDC


for eXTReme environmental conditions, potential-free, 2 changeover contacts



This digital output module transmits control signals from the automation device to the connected actuators.
 The internal system voltage triggers the relay.
 The NO contacts are electrically isolated.
 The switched status of the relay is shown by a LED.

The module is ideally suited for operation in harsh environmental conditions:

- strongly extended temperature range
- higher dielectric strength and EMC resistance
- higher vibration resistance

Description	Item No.	Pack. Unit
2DO 230VAC 1.0A/ Relay 2CO/ potential-free /XTR	750-517/040-000	1
Accessories		
Miniature WSB Quick marking system		
 plain	248-501	5
with marking	see Full Line Catalog AUTOMATION 2012/2013	
Approvals		
Conformity marking	CE	
Shipbuilding	GL	
UL 508	pending	
ANSI/ISA 12.12.01	pending	
Technical Data		
Wire connection	CAGE CLAMP®	
Cross sections	0.25 mm ² ... 2.5 mm ² / AWG 24 ... 14	
Strip lengths	8 ... 9 mm / 0.33 in	
Dimensions (mm) W x H x L	12 x 62 x 100	
	Height from upper-edge of DIN 35 rail	
Weight	52.5 g	
Operating temperature	-40 °C ... +70 °C	
Storage temperature	-40 °C ... +85 °C	
Relative humidity	95 %, short-term condensation acc. to class 3K7 / IEC EN 60721-3-3 (except wind-driven precipitation and ice formation)	
Operating altitude	without temperature derating: 0 m ... 2000 m; with temperature derating: 2000 m ... 5000 m (0.5 K/100 m); max.: 5000 m	

Technical Data	
No. of outputs	2 changeover contacts
Max. switching frequency	6/min (at nominal load)
Pull-in time (max.)	8 ms
Drop-out time (max.)	4 ms
Contact material	Silver alloy
Mechanical life (min.)	5 x 10 ⁶ (180 switching cycles/min.)
Electrical life (min.)	1 x 10 ⁶ (1 A AC/250 V) (resistive load)
Max. switching voltage	250 VAC / 300 VDC
Min. switching current	100 mA / 12 VDC
Max. switching current	1 A AC; 1 A at 40 VDC; 0.15 A at 300 VDC
Max. current consumption (internal)	90 mA
Isolation (supply/DIN rail)	Rated Insulation Voltage : 2.5 kV AC or 3.5 kV DC Rated impulse voltage: 5 kV Overvoltage category: III
Internal bit width	2-bit output
Vibration resistance	acc. to IEC 60068-2-6 (acceleration: 5g), EN 60870-2-2, IEC 60721-3-1, -3, EN 61131-2
Shock resistance	acc. to IEC 60068-2-27
EMC: CE - immunity to interference	acc. to EN 61000-6-1, -2, EN 61131-2, marine applications, EN 50121-3-2, -4, -5, EN 60255-26, EN 60870-2-1, EN 61850-3, IEC 61000-6-5, IEEE 1613, VDEW: 1994
EMC: CE - emission of interference	acc. to EN 61000-6-3, -4, EN 61131-2, EN 60255-26, marine applications, EN 60870-2-1, EN 61850-3, EN 50121-3-2, -4, -5