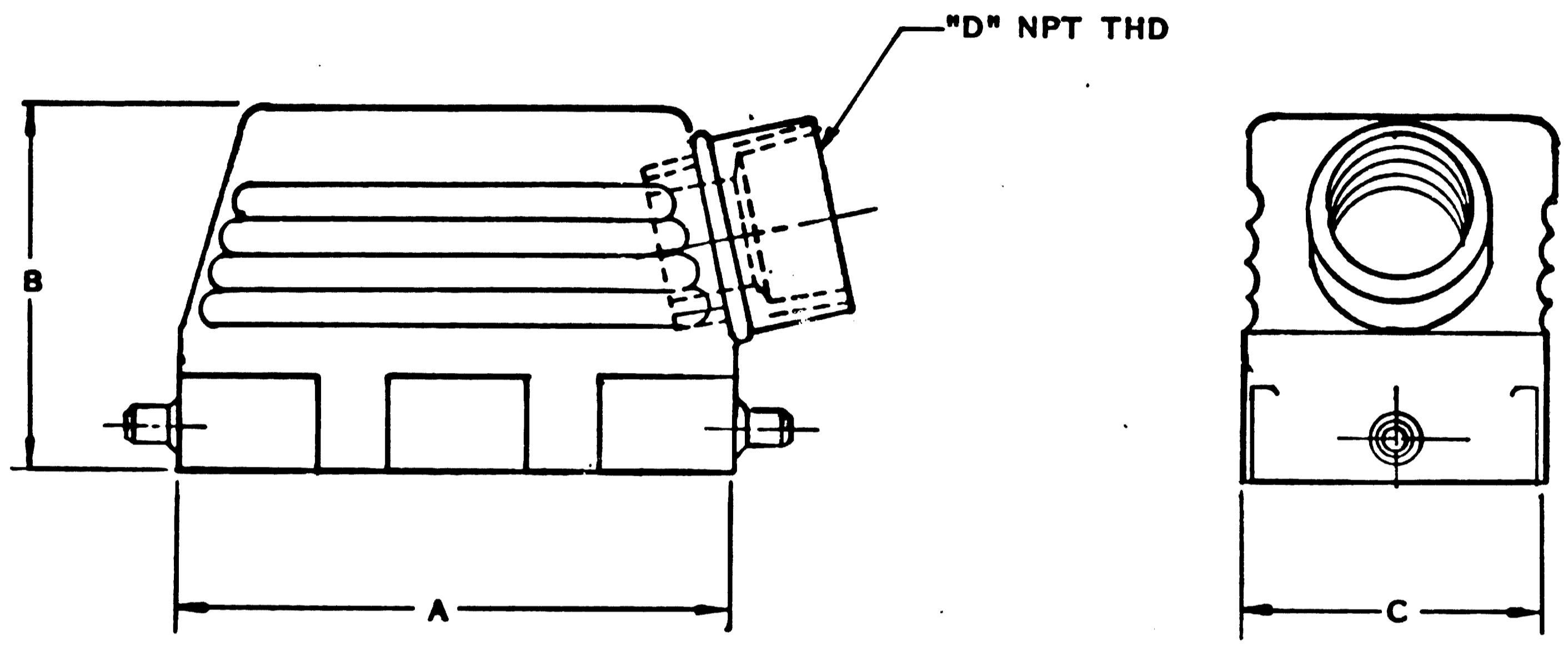


REVISIONS

TYPE STYLE 7/17/85

CHARACTER SIZE 1/8"



T&B CAT. NO.	INSERTS	A	B	C	D
SH606	B6	2.36 [60]	1.89 [48]	1.69 [43]	1/2
SH610	B10	2.87 [73]	1.89 [48]	1.69 [43]	1/2
SH616-L	B16-C6-D40	3.68 [93.5]	2.36 [60]	1.69 [43]	3/4
SH616	B16-C6-D40	3.68 [93.5]	2.56 [65]	1.69 [43]	3/4
SH616-H	B16-C6-D40	3.68 [93.5]	2.99 [76]	1.69 [43]	3/4
SH716-H					1"
SH624-L	B24-D64	4.72 [120]	2.36 [60]	1.69 [43]	3/4
SH724-L					1"
SH624	B24-D64	4.72 [120]	2.95 [75]	1.69 [43]	3/4"
SH724					1"
SH648	B48-D128	5.20 [132]	4.25 [108]	3.54 [90]	1"
SH748					1-1/4"
SH610A-L	A10-D15	2.48 [63]	2.09 [53]	1.18 [30]	1/2"
SH610A	A10-D15	2.48 [63]	2.60 [66]	1.43 [36]	1/2
SH710A					3/4"
SH616A-L	A16-D25	3.15 [80]	2.28 [58]	1.18 [30]	1/2
SH616A	A16-D25	3.15 [80]	2.83 [72]	1.42 [36]	1/2
SH716A					3/4

MATERIAL: CAST ALUMINUM ALLOY

FINISH: SILVER LACQUER



THIS IDENTIFIES THE PRODUCT AS RECOGNIZED BY UL UNDER FILE # E15163.

DIMENSIONS IN [] ARE MILLIMETERS

REFERENCE NOTES	DATE
PROJ # SD5097B	
ER. NO. 23390	
DRAWN F.D. 8-20-85	
CHKR F.R. 8-30-85	

BS54499

APPVD. <i>S. Harrison</i>	DATE 9/11/85	DESCRIPTION HOODS - SIDE ENTRY FOR DOUBLE LEVERS	
THOMAS & BETTS CORPORATION Raritan, New Jersey 08869 In Canada, Thomas & Betts Ltd., Iberville, P.Q.		REV. NO. —	REV. DATE —
			BS54499