



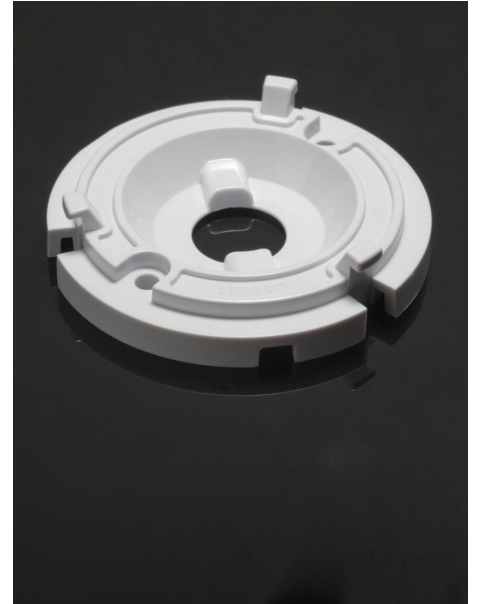
PRODUCT DATASHEET

Lena series

last update 11/6/2014

DETAILS

Product Number	C11981_LENA-STD-BASE-COB-L110
Family	Lena
Type	Base part
Color	white
Diameter	58.6 mm
Height	12.8 mm
Style	round
Optic Material	
Holder Material	PC
Fastening	screw
Status	ready
ROHS Compliant	Yes
Date Updated	11/06/2014



OPTICAL PROPERTIES

LED	Viewing Angle	Light Beam	Efficiency	cd/lm	connector
COB204	N/A degrees		-	(simulated) 0.000	-

H

G

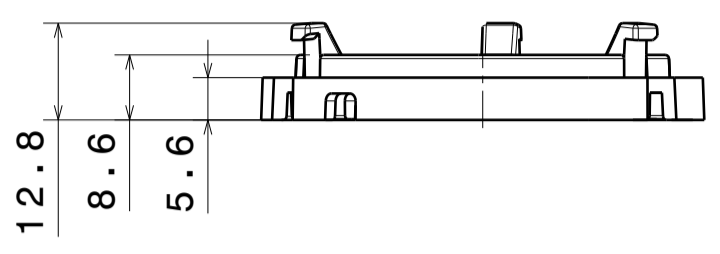
F

E

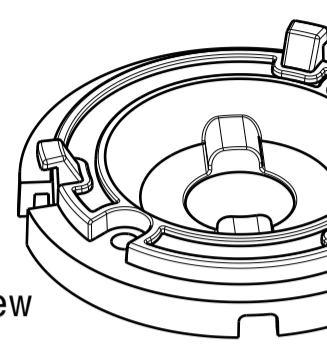
D

C

4

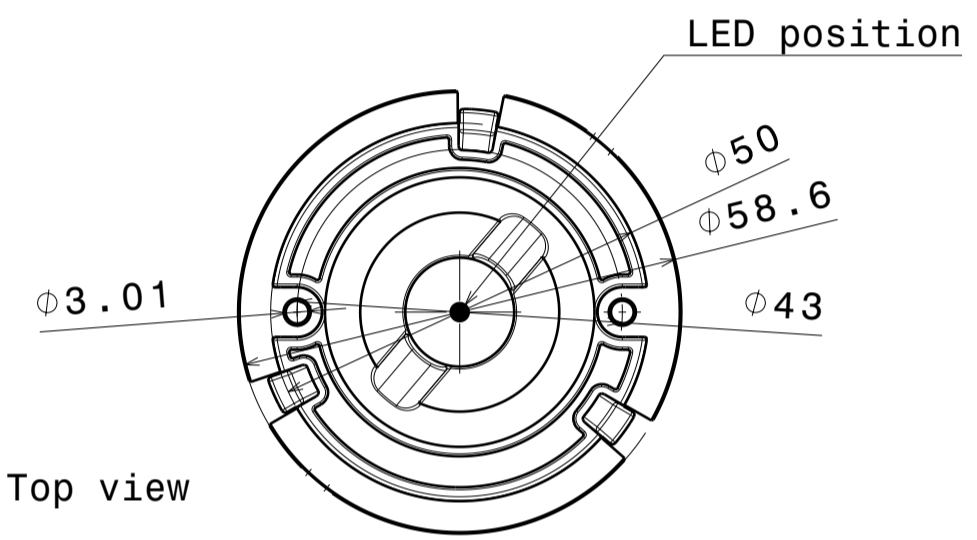


Front view

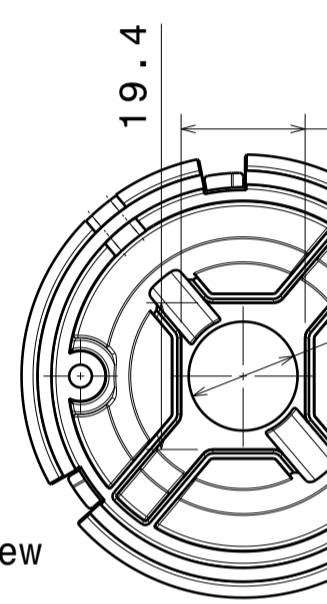


Isometric view

3



Top view



Bottom view

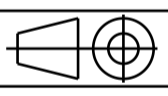
2

1

INDEX	PART
1	C11981

Tolerances if not otherwise shown
 According to DIN ISO 2768-1
 Linear measures: class M
 According to DIN ISO 2768-2
 Form and position: class L

LED

THIRD ANGLE PROJECTION: 

DRAW

This drawing is the property of LEDiL Oy. It may not be reproduced, copied or communicated without a written agreement with LEDiL Oy.

SIZE

A3

SCALE

H

G

NOTE: The typical divergence will be changed by different color, chip size and chip position tolerance. The typical total divergence is the full angle measured where the luminous intensity is half of the peak value.

GENERAL INFORMATION

- Product series especially designed & optimized for series of LEDs.
- Special care taken to make light distribution as uniform as possible.

Note! Due to use of high power COB's with this product, special attention to proper thermal design is highly recommended. LEDiL has no liability for direct, indirect or consecutive damages arising from the LEDiL products being used outside of the recommended temperature range.