

Connector - SACC-M12MRS-3PECON-PG11-M - 1408985

Please be informed that the data shown in this PDF Document is generated from our Online Catalog. Please find the complete data in the user's documentation. Our General Terms of Use for Downloads are valid (<http://phoenixcontact.com/download>)




Connector, 4-position, Plug angled M12, S-coded, Screw connection, Knurl material: Zinc die-cast, nickel-plated, Cable gland Pg11, External cable diameter 8 mm ... 10 mm, For AC current up to 12 A/630 V, Contact 4 leading

Why buy this product

- Safe use in the field, thanks to a high degree of protection
- Flexible: connectors for on-site assembly
- Screw connection: proven connection technology for a large selection of different conductors
- High-performance: AC connectors for up to 12 A and 630 V AC
- Protection against incorrect connection using special S-coding



Key commercial data

| | |
|----------------------|---|
| Packing unit | 1 |
| GTIN |  4 046356 861564 |
| Custom tariff number | 85366990 |

Technical data

Dimensions

| | |
|-------------------|----------------|
| External diameter | 8 mm ... 10 mm |
|-------------------|----------------|

Ambient conditions

| | |
|----------------------|------|
| Degree of protection | IP67 |
|----------------------|------|

General

| | |
|-----------------------|--|
| Note | Strip 21 mm off the cable sheath, strip 6 mm off the conductor insulation, crimp the ferrule, then shorten this to 5 mm. Conductor length with shortened ferrule: 20 mm. Connect conductors and tighten the mounting screws with 0.2 Nm. |
| Rated current at 40°C | 12 A |
| Rated voltage | 630 V AC |
| Number of positions | 4 |
| Contact resistance | ≤ 3 mΩ |
| Insulation resistance | > 10 GΩ |

Connector - SACC-M12MRS-3PECON-PG11-M - 1408985

Technical data

General

| | |
|-----------------------------|--|
| Coding | S power |
| Standards/regulations | IEC 61076-2-111 |
| Status display | No |
| Surge voltage category | III |
| Pollution degree | 3 |
| Connection method | Screw connection |
| Conductor cross section | 0.75 mm ² ... 1.5 mm ² |
| AWG conductor cross section | 18 ... 16 |
| Insertion/withdrawal cycles | > 100 |
| Torque | 0.4 Nm (M12 knurl) |
| | 1 Nm ... 1.4 Nm (Pressure nut with coupling sleeve) |
| | 0.4 Nm (Connector with coupling sleeve) |
| | 0.2 Nm (Screw terminal blocks) |
| Assembly instructions | The wires can be connected both with ferrules and without ferrules |

Material

| | |
|---|------------------------------|
| Inflammability class according to UL 94 | V0 |
| Contact material | CuZn |
| Contact surface material | Au |
| Contact carrier material | PA 46 |
| Material of grip body | PA 66 |
| Material, knurls | Zinc die-cast, nickel-plated |
| Sealing material | NBR (Cable clamping) |

Classifications

eCl@ss

| | |
|------------|----------|
| eCl@ss 4.0 | 27250313 |
| eCl@ss 4.1 | 27250313 |
| eCl@ss 5.0 | 27143423 |
| eCl@ss 5.1 | 27143423 |
| eCl@ss 6.0 | 27279221 |
| eCl@ss 7.0 | 27440104 |
| eCl@ss 8.0 | 27440104 |

ETIM

| | |
|----------|----------|
| ETIM 4.0 | EC002062 |
| ETIM 5.0 | EC002062 |

UNSPSC

| | |
|---------------|----------|
| UNSPSC 6.01 | 31251501 |
| UNSPSC 7.0901 | 31251501 |

Connector - SACC-M12MRS-3PECON-PG11-M - 1408985

Classifications

UNSPSC

| | |
|--------------|----------|
| UNSPSC 11 | 31251501 |
| UNSPSC 12.01 | 31251501 |
| UNSPSC 13.2 | 31251501 |

Approvals

Approvals

Approvals

GOST

Ex Approvals

Approvals submitted

Approval details



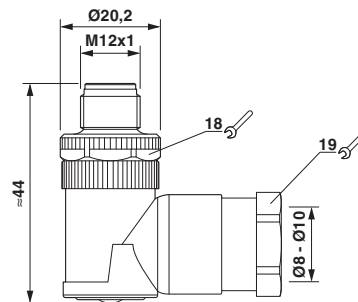
Drawings

Schematic diagram



M12 plug pin assignment, 4-pos., S-coded, plug side view

Dimensioned drawing



M12 x 1 male plug, angled