

60mm sq.

San Ace 60W

25mm thick(WP type)



General Specifications

- Material Frame: Plastics (Flammability: UL94V-0),
Impeller: Plastics (Flammability: UL94V-1)
- Expected Life Refer to specifications (Indoor, L10:Survival rate:90% at 60°C ,
rated voltage, and continuously run in a free air state)
- Lead Wire ⊕red ⊖black (Sensor) yellow
- Storage Temperature -30°C to +70°C (Non-condensing)

60×60×25mm (Mass : 110g) **IP 68** **WPtype**

Specifications

The following nos. **have pulse sensors and ribs**. For ribless, append "1" to the model no.

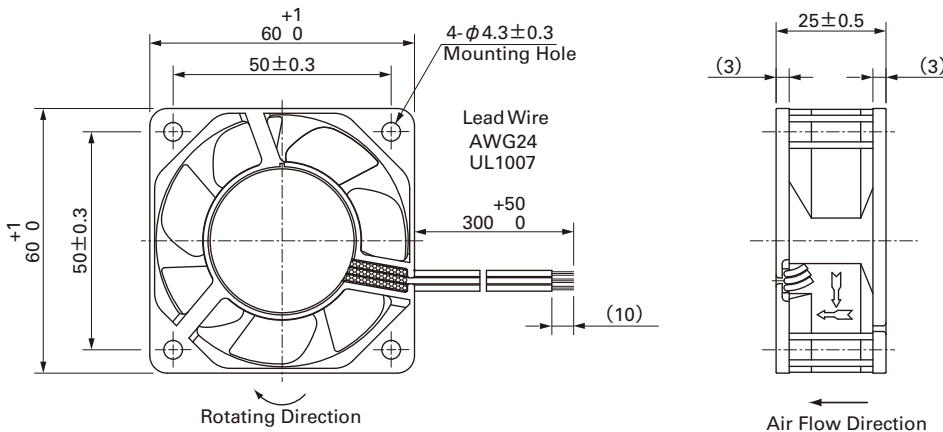
Model No.	Rated Voltage [V]	Operating Voltage Range [V]	Rated Current [A]	Rated Input [W]	Rated Speed [min ⁻¹]	Max. Air Flow [m ³ /min] [CFM]	Max. Static Pressure [Pa] [inchH ₂ O]	SPL [dB(A)]	Operating Temperature [°C]	Expected Life [h]
9WP0612G401	12	10.2 to 13.2	0.21	2.52	5,600	0.78 27.5	87.3 0.351	39	-20 to +60	40,000
9WP0612D401			0.21	2.52	5,150	0.72 25	73.5 0.30	37		
9WP0612H401		10.2 to 13.8	0.11	1.32	3,800	0.53 18.7	40.2 0.161	28		
9WP0624G401	24	20.4 to 27.6	0.13	3.12	5,600	0.78 27.5	87.3 0.351	39	-20 to +60	40,000
9WP0624D401			0.06	1.44	3,800	0.53 18.7	40.2 0.161	28		
9WP0648H401			48	40 to 53	0.04	1.92	3,800	0.53 18.7		

Available options: ⇒ **Without Sensor**

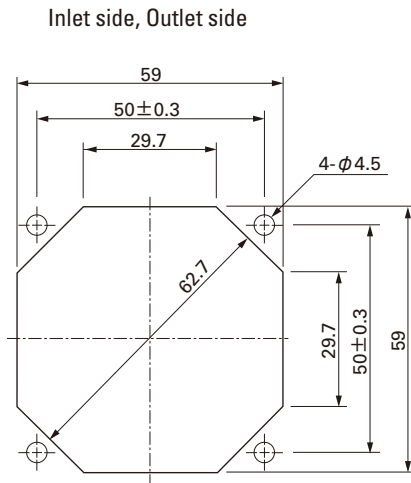
Please inquire as the availability of these functions depend on the model. ⇒ **Lock Sensor** **PWM Control**

Dimensions (Unit : mm)

(With ribs)



Reference dimension of mounting holes and vent opening (Unit : mm)



Options (Unit : mm)

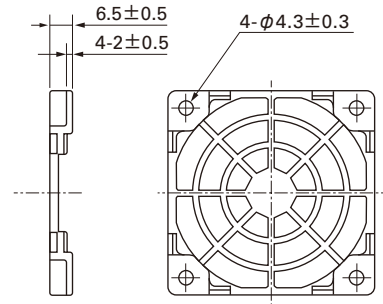
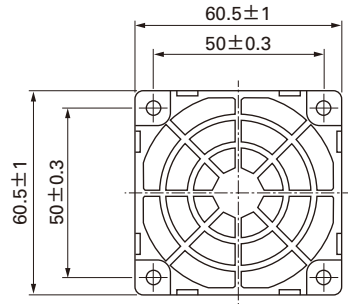
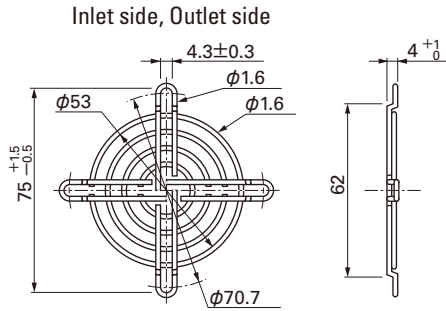
Finger guards

Model : 109-139E Surface treatment : Nickel-chrome plating (silver)
 : 109-139H : Cation electropainting (black)

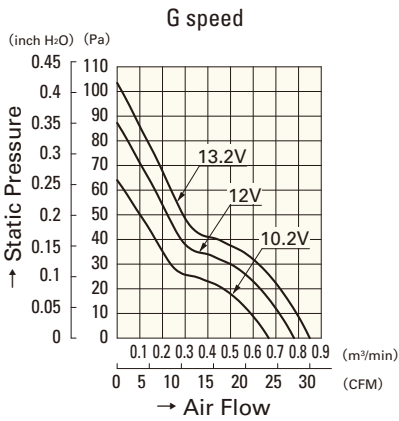
Color

Resin Finger guards

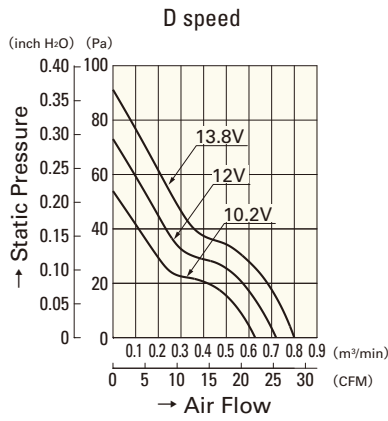
Model : 109-1003G



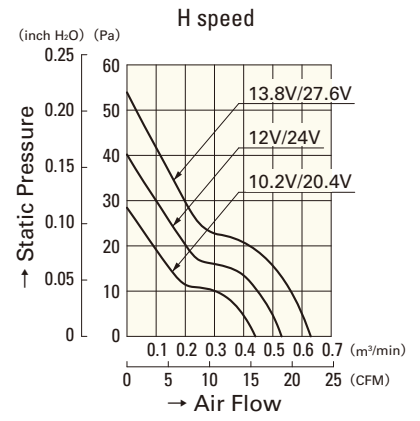
Air Flow - Static Pressure Characteristics



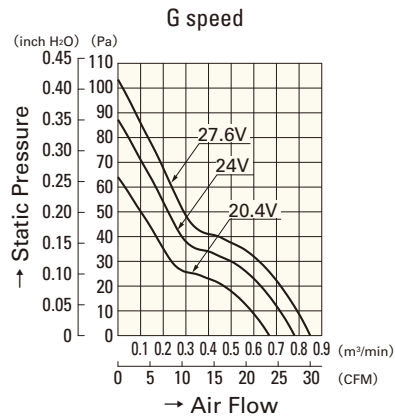
9WP0612G401



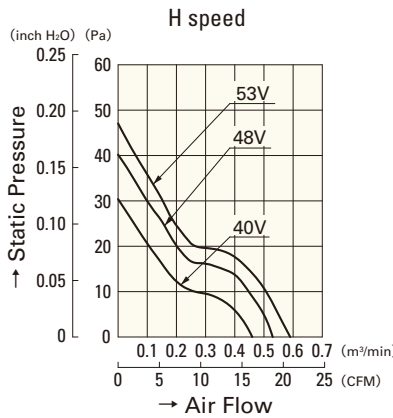
9WP0612D401



9WP0612H401
9WP0624H401



9WP0624G401



9WP0648H401