

Splash Proof Fan

φ172mm

San Ace 172W

51mm thick(Sidecut type WG type),
51mm thick(Sidecut type WE type),
51mm thick(Round type WE type)



Splash Proof Fan 172mm

General Specifications

- Material Frame: Aluminum, Impeller: Plastics (Flammability: UL94V-1)
- Expected Life Refer to specifications (Indoor, L10:Survival rate: 90% at 60°C, rated voltage, and continuously run in a free air state)
- Lead Wire ⊕red ⊖black or blue (Sensor) yellow
- Storage Temperature -30°C to +70°C (Non-condensing)

φ172mm×51mm (Mass : 890g) **Round type** **IP 68** **WE type**

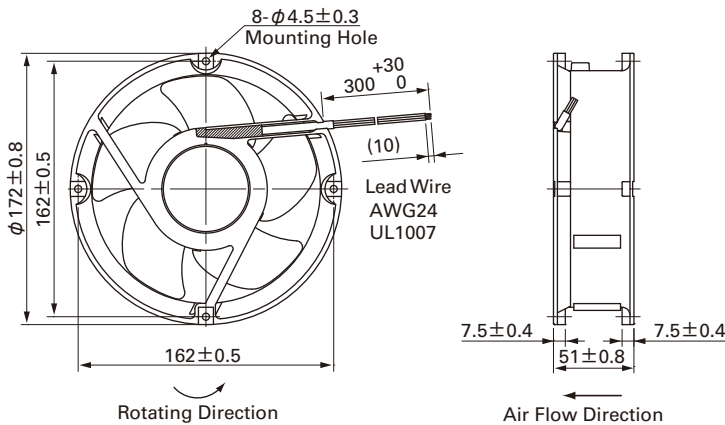
Specifications The following nos. have pulse sensors.

Model No.	Rated Voltage [V]	Operating Voltage Range [V]	Rated Current [A]	Rated Input [W]	Rated Speed [min ⁻¹]	Max. Air Flow [m ³ /min] [CFM]	Max. Static Pressure [Pa] [inchH ₂ O]	SPL [dB(A)]	Operating Temperature [°C]	Expected Life [h]
9WE1724K501	24	20.4 to 27.6	1.3	31.2	4,100	8.5 300.1	243 0.97	55	- 20 to + 60	40,000

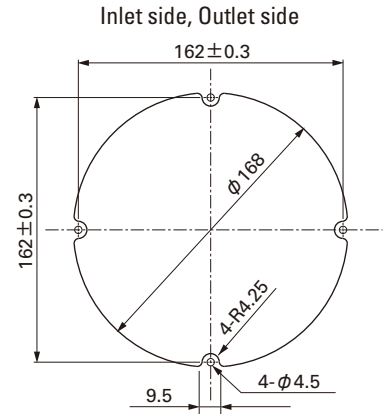
Available options: ⇒ **Without Sensor**

Please inquire as the availability of these functions depend on the model. ⇒ **Lock Sensor**

Dimensions (Unit : mm)



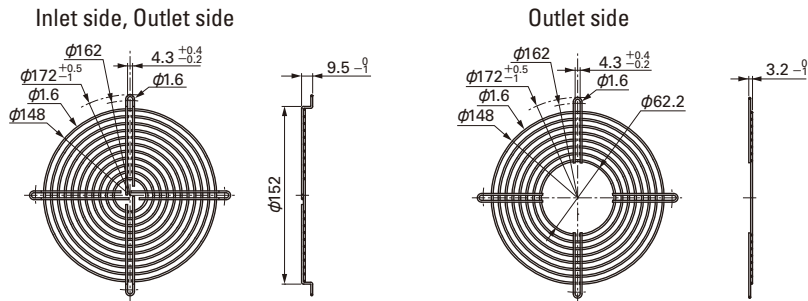
Reference dimension of mounting holes and vent opening (Unit : mm)



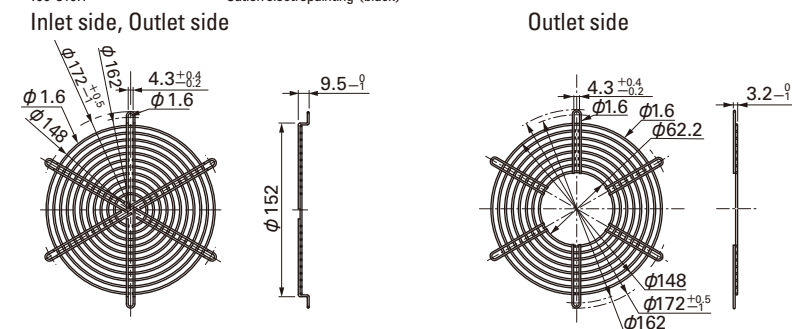
Options (Unit : mm)

Finger guards

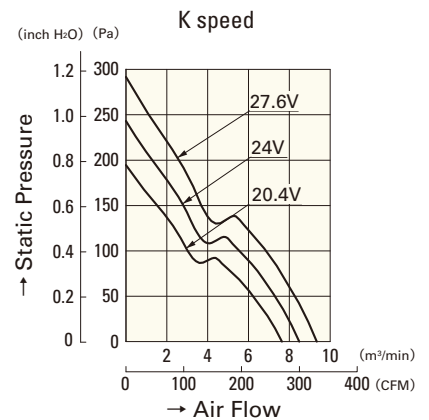
Model : 109-1066 Surface treatment : Nickel-chrome plating (silver) Color : silver Model : 109-1068 Surface treatment : Nickel-chrome plating (silver) Color : silver



Model : 109-319E Surface treatment : Nickel-chrome plating (silver) Color : silver Model : 109-320 Surface treatment : Nickel-chrome plating (silver) Color : silver
: 109-319H : Cation electroplating (black)



Air Flow - Static Pressure Characteristics



9WE1724K501