

IR Bullet Camera (CX31V)



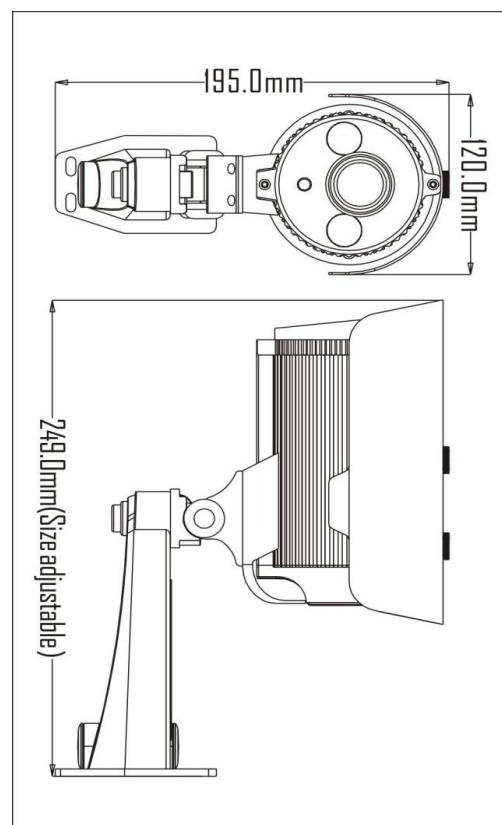
Features:

- 1/3" 1.3M SONY Exmor CMOS
- 1000TVL
- Min. Illumination, 0LUX@(F1.2,IR ON)
- Day Night (ICR), Auto color to black
- 3D DNR
- 5X Digital Zoom / Privacy Mask / Motion Det. (with CXUTC Controller)
- Auto CRR, Flickerless
- Adopt new IR Array technology
- Multi-language UTC OSD control, convenient for installation
- DC 12V

Specifications

Image Sensor	1/3" 1.3M SONY Exmor CMOS
Signal System	NTSC/PAL
Effective Pixels	1305(H)×1049(V)
Horizontal Resolution	1000TVL
Sync System	Internal
Video Output	1Vp-p Composite Output(75Ω/BNC)
SNR	≥48dB(AGC OFF)
Min. Illumination	0LUX@(F1.2,IR ON)
Day Night	Auto, color, BW, External
White Balance	Auto
3D NR	ON / OFF
Exposure mode	BLC, center weight photometry, spot photometry, average photometry, smart photometry
Iris Control	Auto, Manual
Digital zoom	0~5x
Privacy Mask	ON, OFF (8 areas)
Motion Detection	ON, OFF (4 areas)
OSD	Simplified Chinese, English
IR LED	2 pcs super power IR array
IR Range	60m
Lens	6mm
Input Voltage	DC12V±10%
Current	550mA
Power Consumption	<7W
Weight	850g
IP Rating	IP66
Operation Temperature	-10℃~+50℃(14°F~122°F)
Storage Humidity	<85%RH (no condensation)

Dimensions



Optional Controller - CXUTC