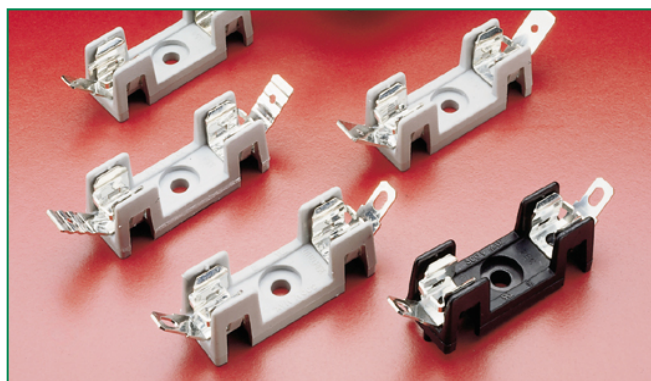
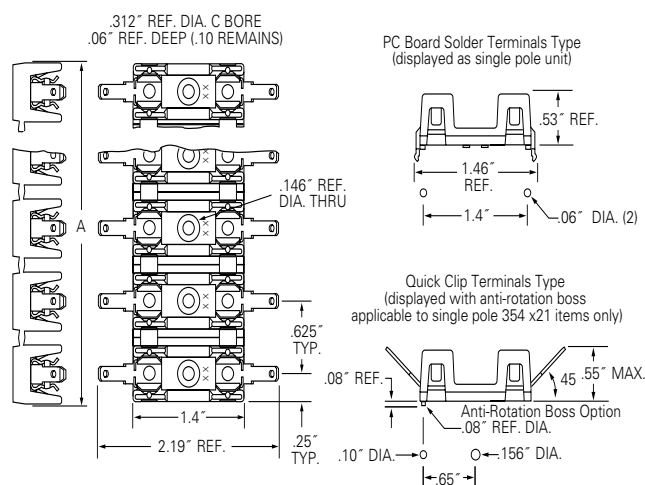


## 354 Series OMMI-BLOK® Molded Base Fuse Block for 3AG Fuses



### Product & Mounting Dimensions



### Option

Two different style clips can be supplied for circuit identity or polarization. Contact Littelfuse.

### Agency Approval

Series or Catalog Number	Current Rating
	UL (File No. E14721)
354 000	30A
354 600	20A
354 800	20A
354 900	30A
354 101-GY	15A

\*30 amp capability is based on temperature rise with #10 AWG wire properly soldered.

### Product Characteristics

Compatible Fuses Size	3AB/AG
<b>Description</b>	A low profile fuse block featuring individual barriers which reinforce the fuse clips while providing greater protection against clip damage and electrical shock. The unique design permits self-alignment of clips to fuse cap. This, plus a one-piece clip/terminal assures low contact resistance. Higher current ratings have been attained using spring brass clips. With the exception of the two-pole unit, multiple pole units may be broken apart to obtain desired number of poles
<b>Dielectric Strength</b>	1500V., Minimum
<b>Clip/Terminals</b>	Tin plated phosphorus bronze except for 354900 series which is tin plated spring brass.
<b>Base</b>	Glass reinforced Thermoplastic. UL 94V0 flammability rating. The standard base color is Gray except for 345 x21 items (single pole products which include anti-rotation boss option) where the standard base color is Black. Refer to the Ordering Information table on the following page for more information.
<b>Ambient Temperature</b>	-40°C to +85°C

### Electrical Information

Series or Catalog Number	Terminals	Rating
354 000	Solder	30A, 300V*
354 600	3/16" Q.C.	20A, 300V
354 800	1/4" Q.C.	20A, 300V
354 900	1/4" Q.C.	30A, 300V
354 101-GY	P.C. Board	15A, 300V

### Additional Information



Datasheet



Resources



Samples

## Ordering Information

PC Board Solder Terminals		NEMA Style 3/16" Quick Clip Terminals		1/4" Quick Clip Terminals		NEMA Style 1/4" Quick Clip Terminals		Number of Poles	Reference Dimension "A"
Ordering No.	Catalog No.	Ordering No.	Catalog No.	Ordering No.	Catalog No.	Ordering No.	Catalog No.		
0354 0001ZXGY	354 001-GY	0354 0601ZXGY	354 601-GY	0354 0801ZXGY	354 801-GY	0354 0901ZXGY	354 901-GY	1	.50"
0354 0002ZXGY	354 002-GY	0354 0602ZXGY	354 602-GY	0354 0802ZXGY	354 802-GY	0354 0902ZXGY	354 902-GY	2	1.12"
0354 0003ZXGY	354 003-GY	0354 0603ZXGY	354 603-GY	0354 0803ZXGY	354 803-GY	0354 0903ZXGY	354 903-GY	3	1.75"
0354 0004ZXGY	354 004-GY	0354 0604ZXGY	354 604-GY	0354 0804ZXGY	354 804-GY	0354 0904ZXGY	354 904-GY	4	2.38"
0354 0005ZXGY	354 005-GY	0354 0605ZXGY	354 605-GY	0354 0805ZXGY	354 805-GY	0354 0905ZXGY	354 905-GY	5	3.00"
0354 0006ZXGY	354 006-GY	0354 0606ZXGY	354 606-GY	0354 0806ZXGY	354 806-GY	0354 0906ZXGY	354 906-GY	6	3.63"
0354 0007ZXGY	354 007-GY	0354 0607ZXGY	354 607-GY	0354 0807ZXGY	354 807-GY	0354 0907ZXGY	354 907-GY	7	4.25"
0354 0008ZXGY	354 008-GY	0354 0608ZXGY	354 608-GY	0354 0808ZXGY	354 808-GY	0354 0908ZXGY	354 908-GY	8	4.88"
0354 0009ZXGY	354 009-GY	0354 0609ZXGY	354 609-GY	0354 0809ZXGY	354 809-GY	0354 0909ZXGY	354 909-GY	9	5.50"
0354 0010ZXGY	354 010-GY	0354 0610ZXGY	354 610-GY	0354 0810ZXGY	354 810-GY	0354 0910ZXGY	354 910-GY	10	6.13"
0354 0011ZXGY	354 011-GY	0354 0611ZXGY	354 611-GY	0354 0811ZXGY	354 811-GY	0354 0911ZXGY	354 911-GY	11	6.75"
0354 0012ZXGY	354 012-GY	0354 0612ZXGY	354 612-GY	0354 0812ZXGY	354 812-GY	0354 0912ZXGY	354 912-GY	12	7.38"
0354 0021ZXBL	354 021-BL *	0354 0621ZXBL	354 621-BL *	0354 0821ZXBL	354 821-BL *	0354 0921ZXBL	354 921-BL *	1	.50"
0354 0101ZXGY	354 101-GY	-	-	-	-	-	-	1	.50"

\* With Anti-Rotation Boss