

CONCEPT™ EMC, TYPE 4

INDUSTRY STANDARDS

Mounting brackets required to meet UL/CSA external mounting requirement.

UL 508A Listed; Type 4, 12; File No. E61997
 cUL Listed per CSA C22.2 No. 94; Type 4, 12; File No. E61997

NEMA/EEMAC Type 4, 12, 13
 CSA, File No. 42186: Type 4, 12
 VDE IP66
 IEC 60529, IP66

APPLICATION

Use stylish CONCEPT™ EMC Enclosures with their convenient quarter-turn latches in indoor or outdoor applications to contain stray electromagnetic interference (EMI) signals produced by internal components and to shield those components from external EMI/RFI interference.

SPECIFICATIONS

- 14, 16 or 18 gauge steel (see table)
- Seams continuously welded and ground smooth
- Minimum width body flange provides maximum door opening
- External formed body flange
- Panel mounting studs fit optional CONCEPT panels and other accessories
- Mounting holes in back of body for direct mounting or for optional external mounting brackets
- Hidden 210-degree hinges
- Removable corner-formed door
- Hinge mounting brackets for wire management or optional accessories
- Stainless steel spring finger EMI/RFI gasket
- Quarter-turn latches
- Body grounding stud
- Door bars provided for wire management and bonding
- Furnished hardware kit consists of panel mounting nuts, grounding hardware and sealing washers
- Simple easy-to-remove and install hinge pins with built-in captivation clip
- High-torque threadless studs and fasteners on door
- Illustrated instruction sheet

FINISH

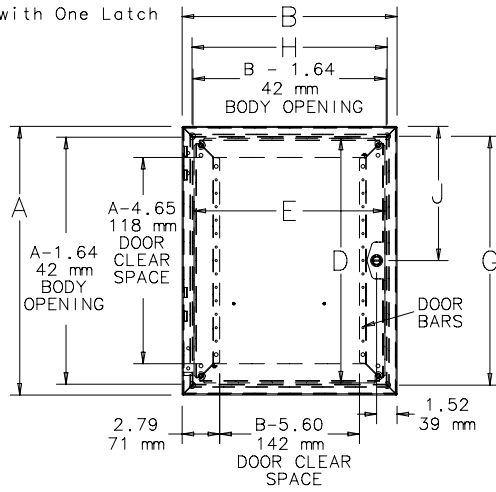
Exterior and interior painted with RAL 7035 textured light-gray polyester powder paint over plating.

BULLETIN: A53
Standard Product

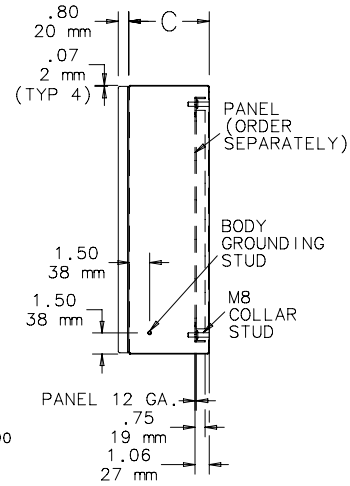
Catalog Number	AxBxC in./mm	Door Ga.	Body Ga.	CONCEPT Panel	Conductive Panel	Panel Size D x E in./mm	Mounting G x H in./mm	Latches Qty.	J in./mm
CSD12126LGEMC	12.00 x 12.00 x 6.00	16	18	CP1212	CP1212G	10.20 x 10.20	10.50 x 10.50	1	6.00
	305 x 305 x 152					259 x 259	267 x 267		152
CSD16126LGEMC	16.00 x 12.00 x 6.00	16	18	CP1612	CP1612G	14.20 x 10.20	14.50 x 10.50	1	8.00
	406 x 305 x 152					361 x 259	368 x 267		203
CSD16166LGEMC	16.00 x 16.00 x 6.00	16	18	CP1616	CP1616G	14.20 x 14.20	14.50 x 14.50	1	8.00
	406 x 406 x 152					361 x 361	368 x 368		203
CSD16206LGEMC	16.00 x 20.00 x 6.00	16	18	CP2016	CP2016G	18.20 x 14.20	14.50 x 18.50	1	8.00
	406 x 508 x 152					462 x 361	368 x 470		203
CSD20166LGEMC	20.00 x 16.00 x 6.00	16	18	CP2016	CP2016G	18.20 x 14.20	18.50 x 14.50	1	10.00
	508 x 406 x 152					462 x 361	470 x 368		254
CSD24206LGEMC	24.00 x 20.00 x 6.00	16	18	CP2420	CP2420G	22.20 x 18.20	22.50 x 18.50	1	12.00
	610 x 508 x 152					564 x 462	572 x 470		305
CSD24248LGEMC	24.00 x 24.00 x 8.00	14	16	CP2424	CP2424G	22.20 x 22.20	22.50 x 22.50	2	5.00
	610 x 610 x 203					564 x 564	572 x 572		127
CSD30248LGEMC	30.00 x 24.00 x 8.00	14	16	CP3024	CP3024G	28.20 x 22.20	28.50 x 22.50	2	5.00
	762 x 610 x 203					716 x 564	724 x 572		127
CSD36308LGEMC	36.00 x 30.00 x 8.00	14	14	CP3630	CP3630G	34.20 x 28.20	34.50 x 28.50	2	5.00
	914 x 762 x 203					869 x 716	876 x 724		127
CSD242412LGEMC	24.00 x 24.00 x 12.00	14	16	CP2424	CP2424G	22.20 x 22.20	22.50 x 22.50	2	5.00
	610 x 610 x 305					564 x 564	572 x 572		127
CSD362412LGEMC	36.00 x 24.00 x 12.00	14	16	CP3624	CP3624G	34.20 x 22.20	34.50 x 22.50	2	5.00
	914 x 610 x 305					869 x 564	876 x 572		127

Purchase panels separately.

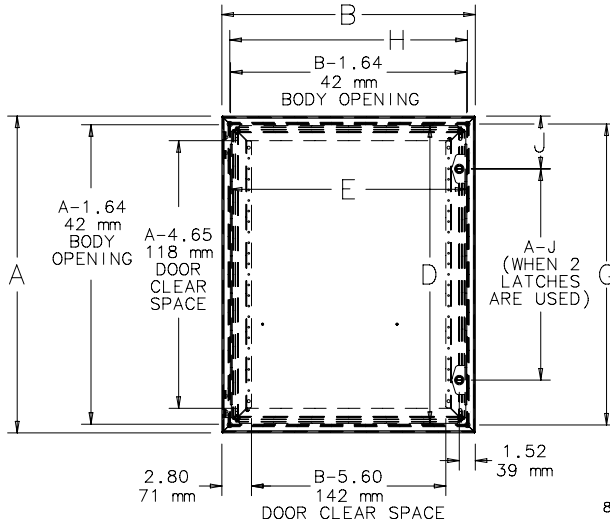
Enclosures with One Latch



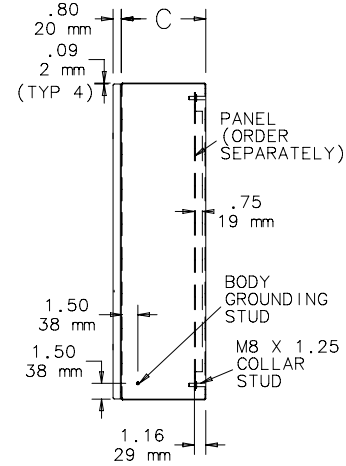
87794690



Enclosures with Two Latches



87745538



CONCEPT™ Shielding Effectiveness
Standard CONCEPT Cabinet Compared to EMC Shielded CONCEPT Cabinet

