

# Product data sheet

## Characteristics

# SSRPCDS50A1

solid state relay - panel mounting - input 3-32 V DC, output 24-280 V AC, 50A

Stock Code: Stock - Normally stocked in distribution facility



### Main

Commercial Status	Commercialised
Range of product	Zelio Relay
Product or component type	Solid state relay
Device short name	SSR
Network number of phases	1 phase
Mounting support	Panel
[In] rated current	50 A
Output voltage	24...280 V AC
Control circuit voltage	3...32 V DC

### Complementary

Contacts type and composition	1 NO
Tightening torque	<= 2.2 N.m for output <= 1.1 N.m for input
Local signalling	LED green for input status
Switching voltage	3 V DC turn-on 1 V DC turn-off
Input current limits	10 mA
Solid state output type	Zero voltage switching SCR output
Load current	0.15...50 A
Output sustained overvoltage	600 V
Surge current	625 A for 16.6 ms
Voltage drop	1.6 V on-state
Thermal resistance	0.63 °C/W
Maximum I²t for fusing	1620 A².s for 8.3 ms
Leakage current	<= 1 mA off-state
DV/Dt	500 V/µs off-state at maximum voltage
Response time	0.5 cycle turn-off 0.5 cycle turn-on

### Environment

Standards	UL E258297 CSA LR 40487 IEC 60950-1 IEC 62314
Marking	CE
IP degree of protection	IP20
Ambient air temperature for operation	-40...80 °C
Ambient air temperature for storage	-40...125 °C

### Ordering and shipping details

Category	22375 - INTERFACE MODULE(ABA,R,S)
Discount Schedule	CP2
GTIN	00785901816324
Nbr. of units in pkg.	1
Package weight(Lbs)	0.27
Stock Code	Stock - Normally stocked in distribution facility
Returnability	Y
Country of origin	MX

### Offer Sustainability

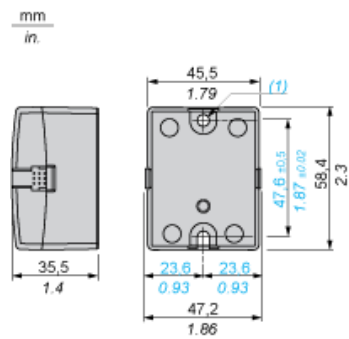
Sustainable offer status	Not Green Premium product
RoHS (date code: YYWW)	Compliant - since 0940 - <a href="#">Schneider Electric declaration of conformity</a>

### Contractual warranty

Period	18 months
--------	-----------

Dimensions

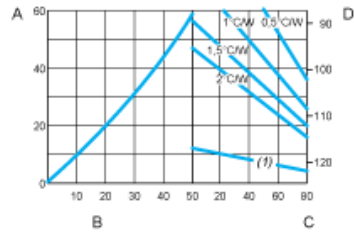
Panel Mounting



(1)  $\text{Ø}4.9 \pm 0.25 \text{ mm} / \text{Ø}0.016 \pm 0.0098 \text{ in. hole}$

Thermal Derating Curves

50 A Relays



- A: Power dissipation
- B: Load current (Arms)
- C: Max. ambient temperature (°C)
- D: Base plate temperature (°C)
- (1) No heat sink

Note : These are typical curves, actual durability depends on load, environment, duty cycle, etc.