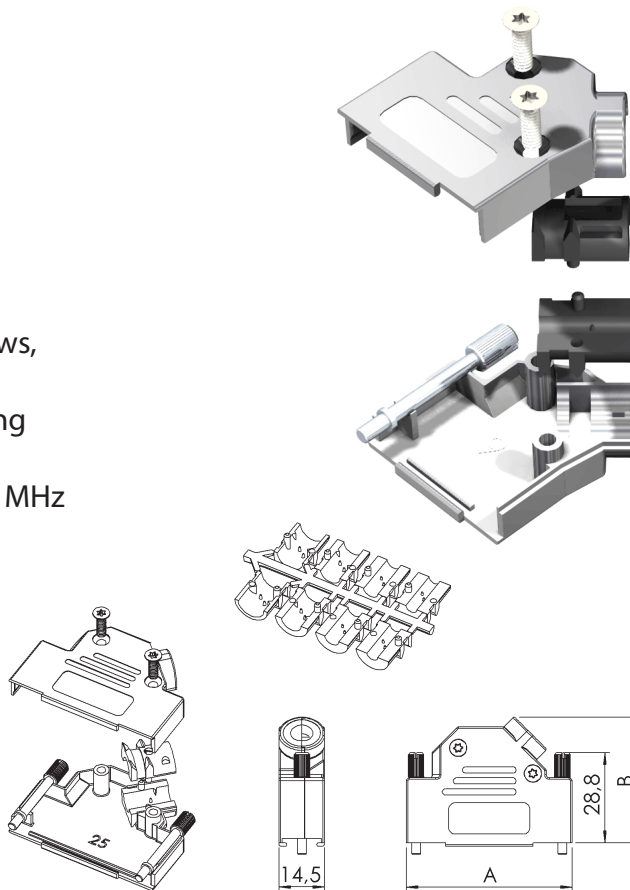


Shielded D-Sub Backshells DVNMK Series

TECHNICAL SPECIFICATIONS

Material:	Zinc, Ni-plated non-magnetic
Temp. range:	-40°C - 120°C
Cable strain relief:	Polycarbonate PC UL94 V-0
Cable diameter:	3.0 - 13.0 mm
Locking screws:	Solid metal jackscrews, non-magnetic
Assembly screws:	Taptite threadforming
Cable outlet:	Angled
Attenuation factor:	> 40 dB between 30 MHz and 1 GHz



TYPE	A	B
DVNMK9	31	36,2
DVNMK15	39,5	40,2
DVNMK25	53,2	40,2
DVNMK37	69,7	40,2
DVNMK50	67,2	43,7

PART NUMBERING SYSTEM

DVNMK15 - - BULK

Series:	_____
DVNMK	_____
Size:	_____
9, 15, 25, 37 or 50	_____
Thread (jackscrew):	_____
Omit = UNC 4-40	_____
M2.5	_____
M2.6	_____
M3.0	_____
Packaging:	_____
K = Kit package	_____
BULK = Bulk / 100 pcs	_____

FEATURES

- Available in sizes 9, 15, 25, 37 and 50
- Manufactured from non-magnetic materials
- Minimise interference from electromagnetic and RF sources
- Non-static parts avoid ESD problems
- Accept round foil and braided cable types
- Approved according VDE 0871, FCC 20780 and 89/336/EU
- Printed logotype available upon request
- Long jackscrews with UNC 4-40 thread as standard, M2.5, M2.6 or M3.0 as option