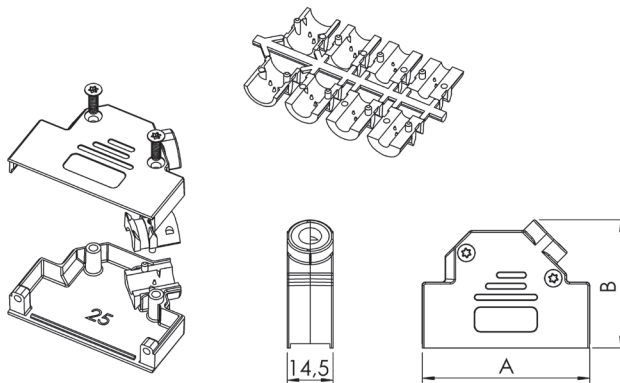
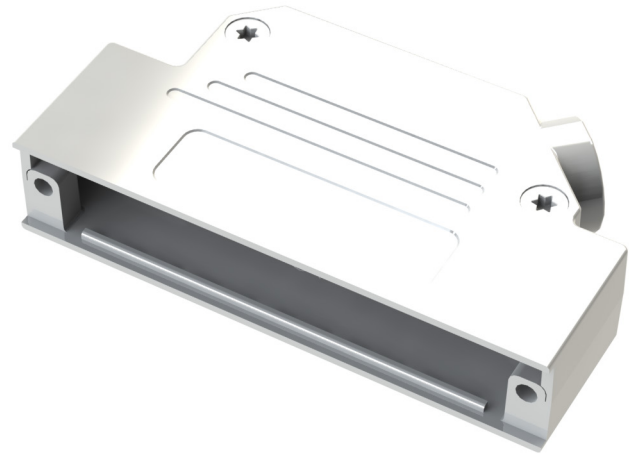


Shielded D-Sub Backshells DVZK-SL Series

TECHNICAL SPECIFICATIONS

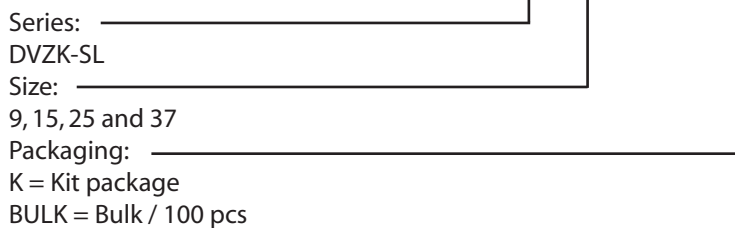
Material:	Zinc, Ni-plated
Temp. range:	-40°C - 120°C
Cable strain relief:	Polycarbonate PC UL94 V-0
Cable diameter:	3.0 - 13.0 mm
Locking screws:	Integrated UNC 4-40 threads for slidelock or panel assembly
Assembly screws:	Taptite threadforming
Cable outlet:	Angled
Attenuation factor:	> 40 dB between 30 MHz and 1 GHz



TYPE	A	B
DVZK09-SL	31	36,3
DVZK15-SL	39,3	40,4
DVZK25-SL	53	40,4
DVZK37-SL	69,5	40,4

PART NUMBERING SYSTEM

DVZK15 - SL - BULK



FEATURES

- Available in sizes 9, 15, 25 and 37
- Minimise interference from electromagnetic and RF sources
- Non-static parts avoid ESD problems
- Accept round foil and braided cable types
- Approved according VDE 0871, FCC 20780 and 89/336/EU
- Printed logotype available upon request
- Integrated UNC 4-40 threads for slidelock or panel assembly
- For custom designed solutions, please consult factory