

φ172mm

San Ace 172

- 25mm thick (Sidecut type 9E type)
- 51mm thick (Sidecut type 9SG type)
- 51mm thick (Sidecut type 9GV type)
- 51mm thick (Sidecut type 9E type)
- 51mm thick (Round type 9E type)



General Specifications

- Material Frame: Aluminum, Impeller: Plastics (Flammability: UL94V-1)
- Expected Life Refer to specifications (L10:Survival rate:90% at 60°C , rated voltage, and continuously run in a free air state)
- Lead Wire ⊕red ⊖black or blue (Sensor) yellow
- Storage Temperature -30°C to +70°C (Non-condensing)

φ172mm × 147mm × 25mm (Mass : 500g) **9E type Sidecut type**

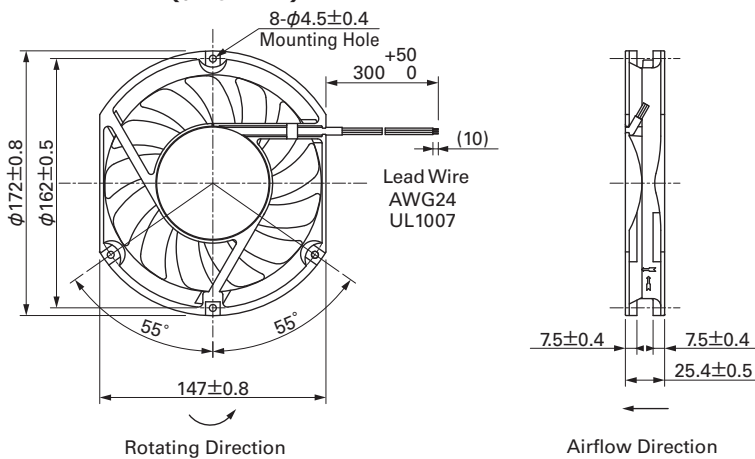
Specifications

The following nos. **have pulse sensors.**

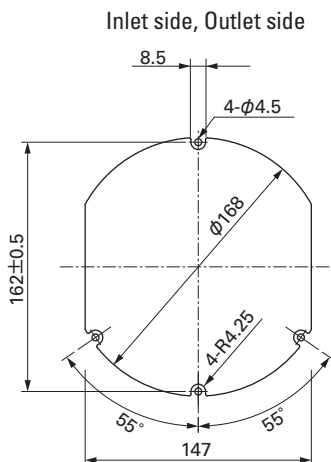
Model No.	Rated Voltage [V]	Operating Voltage Range [V]	Rated Current [A]	Rated Input [W]	Rated Speed [min ⁻¹]	Max. Airflow [m ³ /min] [CFM]	Max. Static Pressure [Pa] [inchH ₂ O]	SPL [dB(A)]	Operating Temperature [°C]	Expected Life [h]
109E4712M401	12	10.2 to 13.8	1.3	15.6	2,800	5.2 183	92 0.369	51	-20 to +60	40,000
109E4712L401			1.0	12.0	2,500	4.6 162	73 0.293	48		
109E4724H401	24	20.4 to 27.6	1.0	24.0	3,400	6.4 226	135 0.542	57		
109E4724F401			0.79	19.0	3,100	5.8 204	112 0.450	54		
109E4724M401			0.58	13.9	2,800	5.2 183	92 0.369	51		
109E4724L401			0.44	10.6	2,500	4.6 162	73 0.293	48		
109E4748S401	48	40.8 to 55.2	0.62	29.8	3,650	6.8 240	156 0.627	58		
109E4748H401			0.52	25.0	3,400	6.4 226	135 0.542	57		
109E4748F401			0.40	19.2	3,100	5.8 204	112 0.450	54		
109E4748M401			0.32	15.4	2,800	5.2 183	92 0.369	51		
109E4748L401			0.25	12.0	2,500	4.6 162	73 0.293	48		

Some models can also be equipped without sensors as an option. Please refer to the index (pp. 417 to 437).

Dimensions (unit : mm)



Reference Dimension of Mounting Holes and Vent Opening (unit : mm)



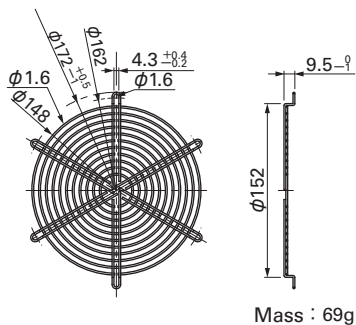
Options (unit : mm)

Finger Guards

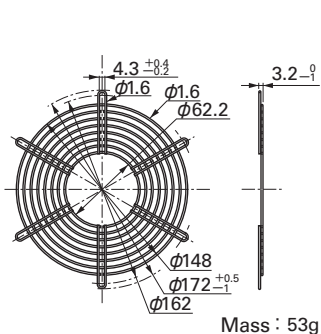
Model : 109-319E Surface treatment : Nickel-chrome plating (silver) Color : 109-319H Surface treatment : Nickel-chrome plating (silver) Color : Cation electropainting (black)

Model : 109-320 Surface treatment : Nickel-chrome plating (silver) Color :

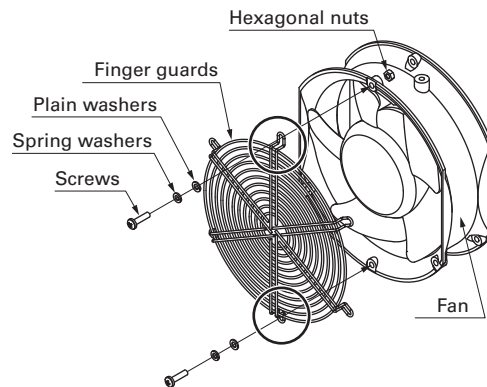
Inlet side, Outlet side



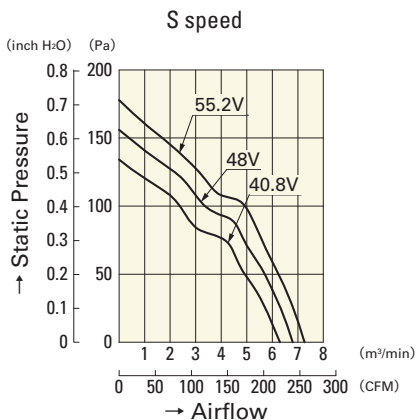
Outlet side



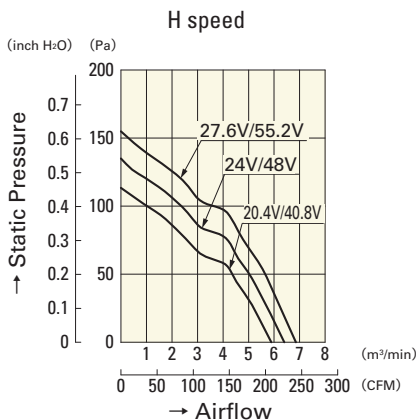
For the finger guard Model: 109-319E, 109-319H, 109-320, fix the finger guard to two holes as shown in the diagram. Do not fix it to any other holes.



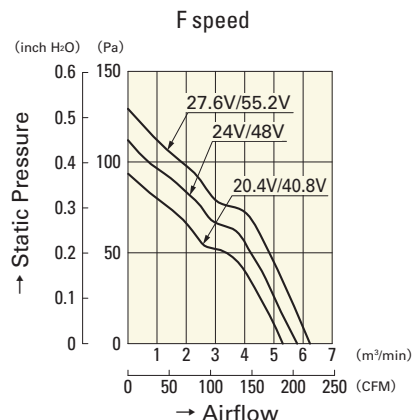
Airflow - Static Pressure Characteristics



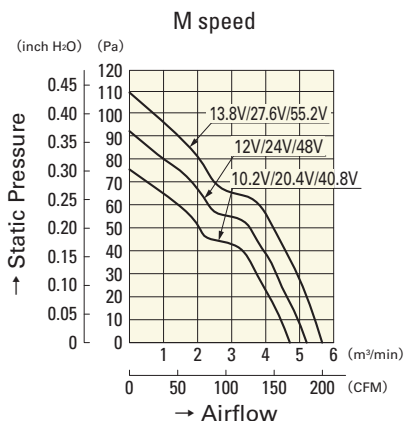
109E4748S401



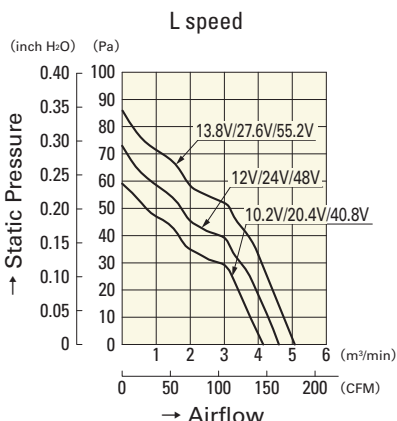
109E4724H401
109E4748H401



109E4724F401
109E4748F401



109E4712M401
109E4724M401
109E4748M401



109E4712L401
109E4724L401
109E4748L401