

**φ172mm**

## San Ace 172

- 25mm thick (Sidecut type 9E type)
- 51mm thick (Sidecut type 9SG type)
- 51mm thick (Sidecut type 9GV type)
- 51mm thick (Sidecut type 9E type)
- 51mm thick (Round type 9E type)



### General Specifications

- Material ..... Frame: Aluminum, Impeller: Plastics (Flammability: UL94V-1)
- Expected Life ..... Refer to specifications (L10:Survival rate:90% at 60°C , rated voltage, and continuously run in a free air state)
- Lead Wire ..... ⊕red ⊖black (Sensor) yellow
- Storage Temperature ..... -30°C to +70°C (Non-condensing)

**φ172mm × 150mm × 51mm** [Mass : 800g]

**9GV type Sidecut type**

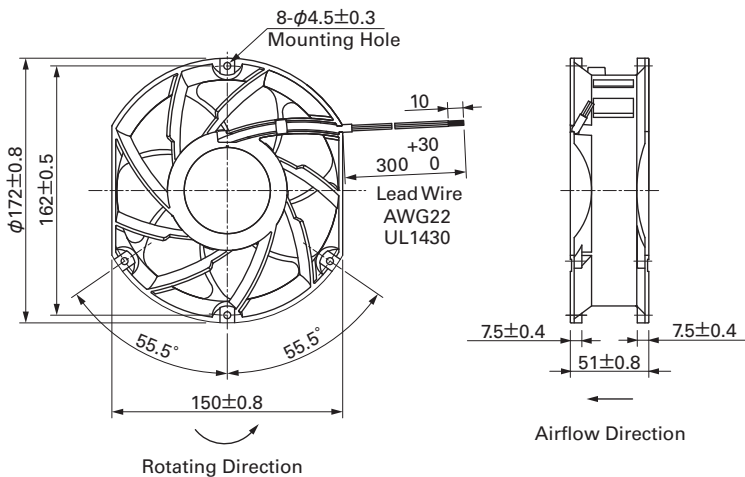


### Specifications The following nos. have pulse sensors.

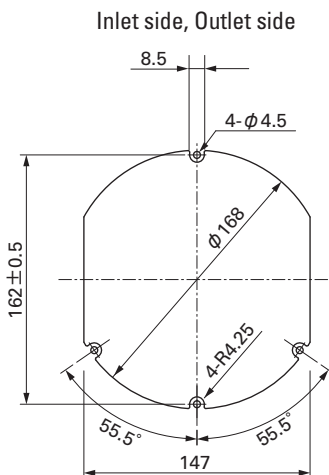
Model No.	Rated Voltage [V]	Operating Voltage Range [V]	Rated Current [A]	Rated Input [W]	Rated Speed [min <sup>-1</sup> ]	Max. Airflow [m <sup>3</sup> /min] [CFM]	Max. Static Pressure [Pa] [inchH <sub>2</sub> O]	SPL [dB(A)]	Operating Temperature [°C]	Expected Life [h]
9GV5724H501	24	20.4 to 27.6	4.0	96	6,300	11.32 400	690 2,77	74	- 20 to +70	40,000
9GV5748H501	48	40.8 to 55.2	2.0	96						

Some models can also be equipped without sensors or with PWM control functions as an option. Please refer to the index (pp. 417 to 437).

### Dimensions (unit : mm)



### Reference Dimension of Mounting Holes and Vent Opening (unit : mm)



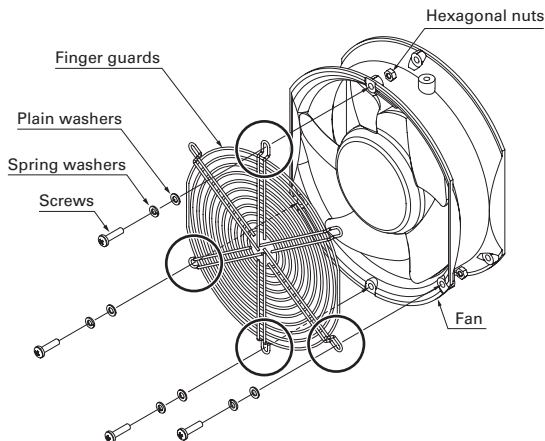
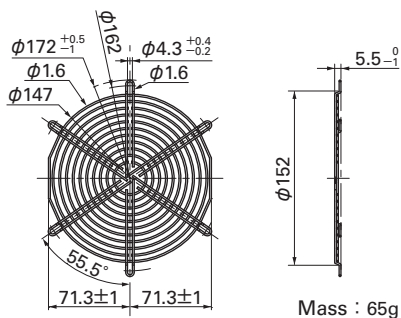
Options (unit : mm)

Finger Guards

Model : 109-319J Color : Nickel-chrome plating (silver)

For the finger guard Model: 109-319J, fix the finger guard to four holes as shown in the diagram.

Inlet side, Outlet side



Mass : 65g

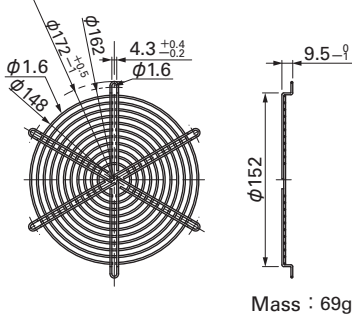
Finger Guards

Model : 109-319E Surface treatment : Nickel-chrome plating (silver) Color : Cation electropainting (black)

Model : 109-320 Surface treatment : Nickel-chrome plating (silver) Color : Cation electropainting (black)

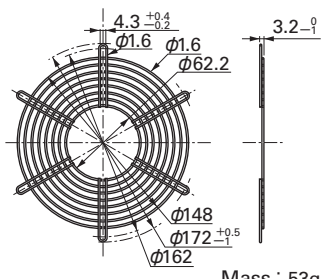
For the finger guard Model: 109-319E, 109-319H, 109-320, fix the finger guard to two holes as shown in the diagram. Do not fix it to any other holes.

Inlet side, Outlet side

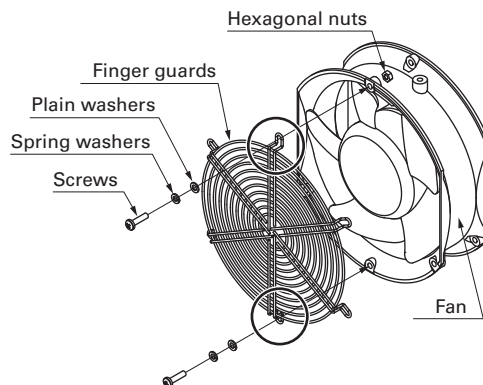


Mass : 69g

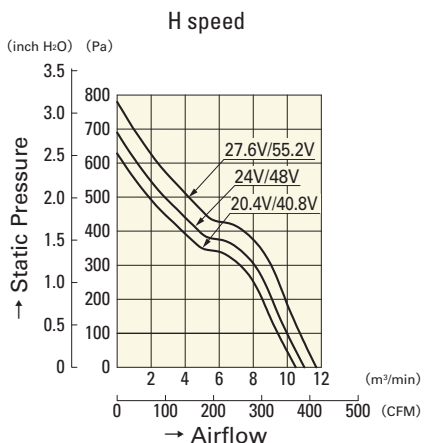
Outlet side



Mass : 53g



Airflow - Static Pressure Characteristics



9GV5724H501

9GV5748H501