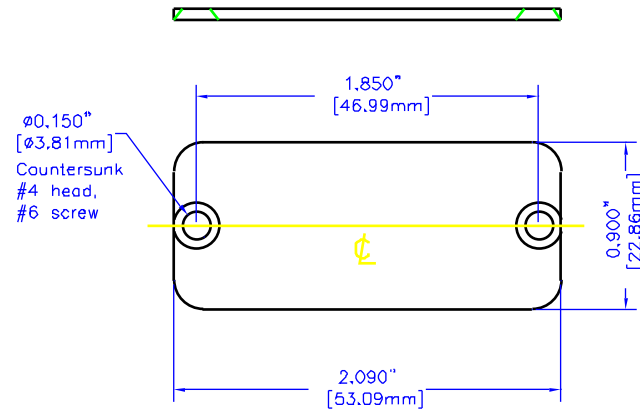
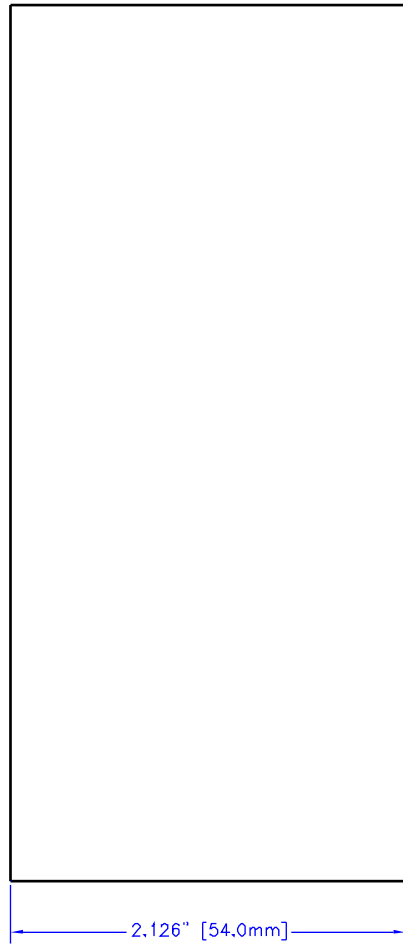
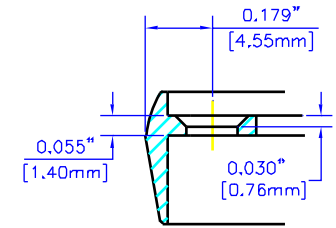


NOTES

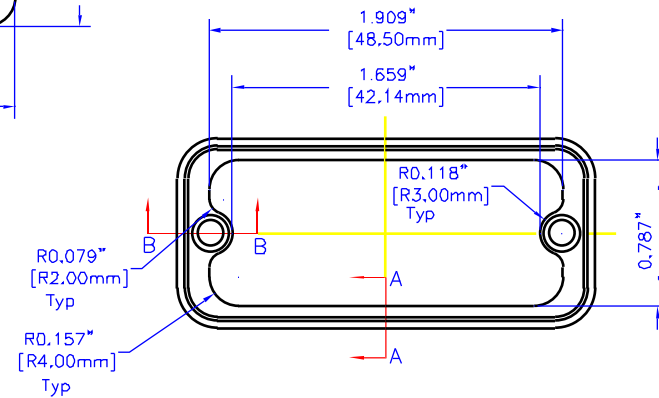
Constructed from extruded Al with a minimum thickness of 0,06"(1,5mm)
 Available in clear or Black anodized finish
 Version 1 includes two Al end panels, and two Black plastic bezels.
 Hardware and self-adhesive rubber feet included.



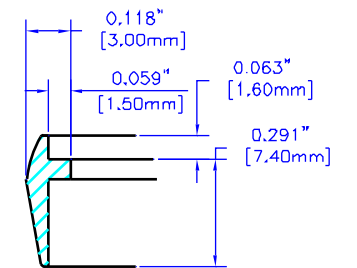
PANELS



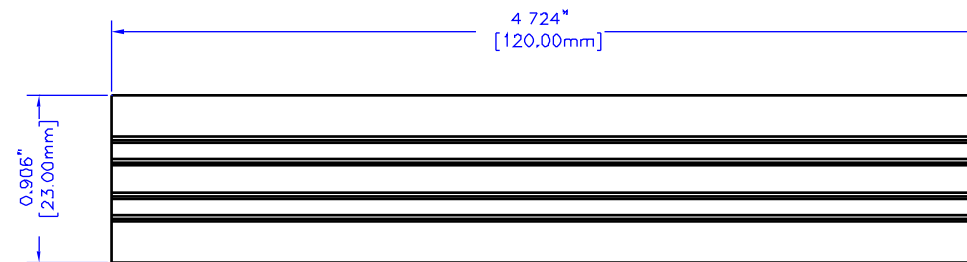
SECTION B-B
SCALE 2:1



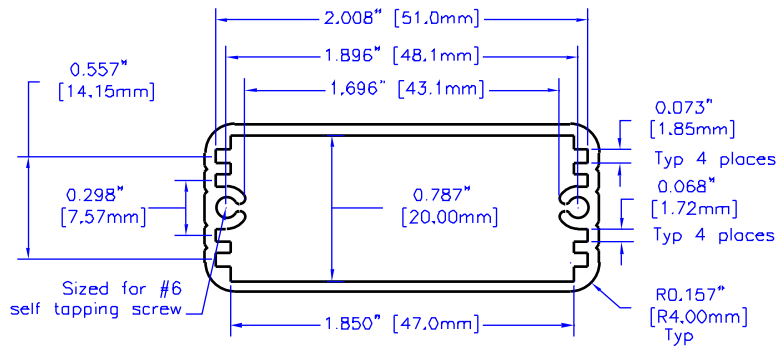
BEZELS



SECTION A-A
SCALE 2:1



EXTRUSION



Sized for #6 self tapping screw

For the best fit print on legal size paper

THIS DRAWING IS PROPRIETARY INFORMATION OF HAMMOND MFG.CO.LTD. NOT TO BE USED WITHOUT EXPRESSED WRITTEN PERMISSION OF HAMMOND MFG.CO.LTD.

△	N/A	ADDED BEZELS AND PANELS TO DWG	----	02 06 02	MJM
△	N/A	RELEASE	----	01 15 02	MJM
Rev	ECN	Description		Date	By

Unless otherwise specified dimensions are in inches
Tolerances are:

.X	± .1
.XX	± .04
.XXX	± .020
.XXXX	± .0050
Holes	± .0050
Angles	± .5°

Own	M. MERCER
Date	02 06 02
Chk	---
Mat'l	Extruded Aluminum
Sheet	1 of 2

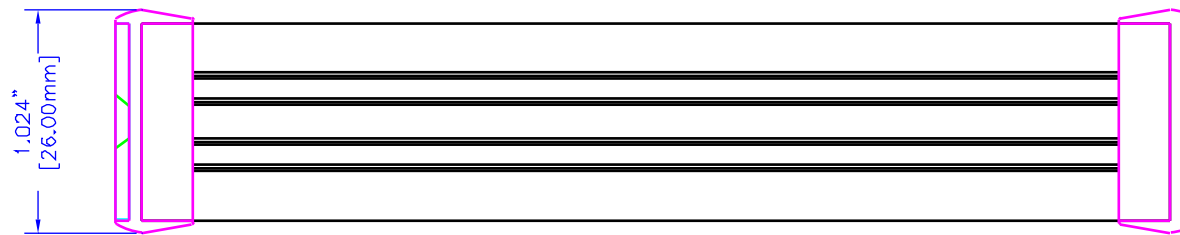
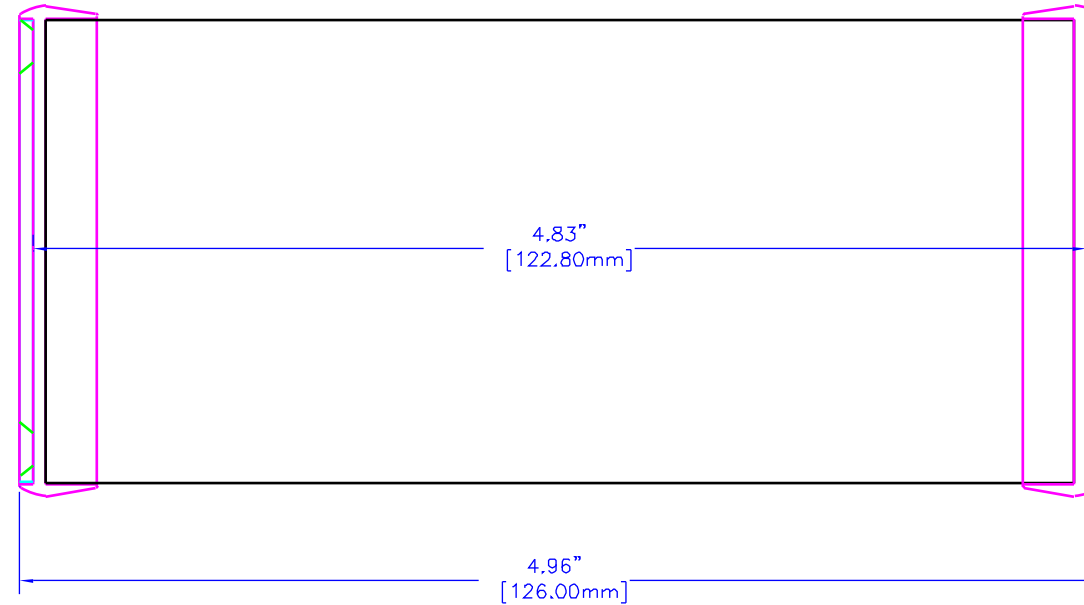
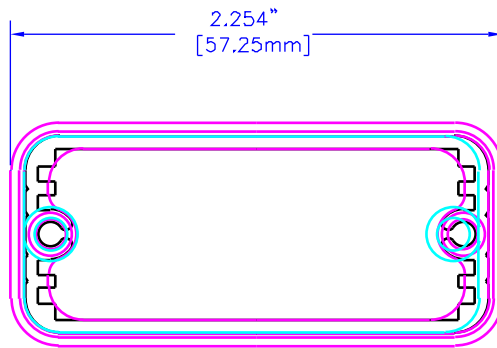
HAMMOND MANUFACTURING CO. LTD.
 Electronics Group, Waterloo, Ont. - Cheektowaga, NY

HAMMOND 1455 SERIES
EXTRUDED ALUMINUM

Part#: 1455C1201 Dwg: 1455C1201B

NOTES

Constructed from extruded Al with a minimum thickness of 0.06"(1.5mm)
 Available in clear or Black anodized finish
 Version 1 includes two Al end panels, and two Black plastic bezels,
 Hardware and self-adhesive rubber feet included.



For the best fit print
on legal size paper.

THIS DRAWING IS PROPRIETARY INFORMATION
 OF HAMMOND MFG.CO.LTD. NOT TO BE USED
 WITHOUT EXPRESSED WRITTEN PERMISSION
 OF HAMMOND MFG.CO.LTD.

△	N/A	ADDED BEZELS AND PANELS TO DWG	----	02 06 02	MJM
△	N/A	RELEASE	----	01 15 02	MJM
Rev	ECN	Description		Date	By

Unless otherwise spec'd
 dimensions are in inches
 Tolerances are:
 X ± .1
 XX ± .04
 XXX ± .020
 XXXX ± .0050
 Holes ± .0050
 Angles ± .5°

Own	M, MERCER
Date	02 06 02
Chk	---
Mat'l	Extruded Aluminum
Sheet	2 of 1

HAMMOND MANUFACTURING CO, LTD,
 Electronics Group, Waterloo, Ont. - Cheektowago, NY

HAMMOND 1455 SERIES
 EXTRUDED ALUMINUM

Part#: 1455C1201

Dwg: 1455C1201B