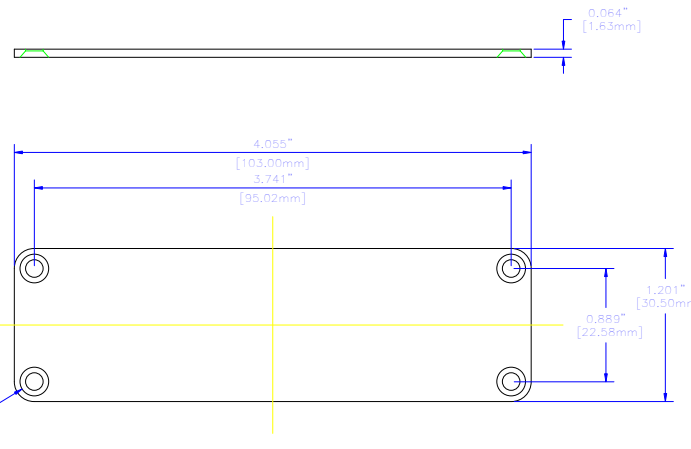
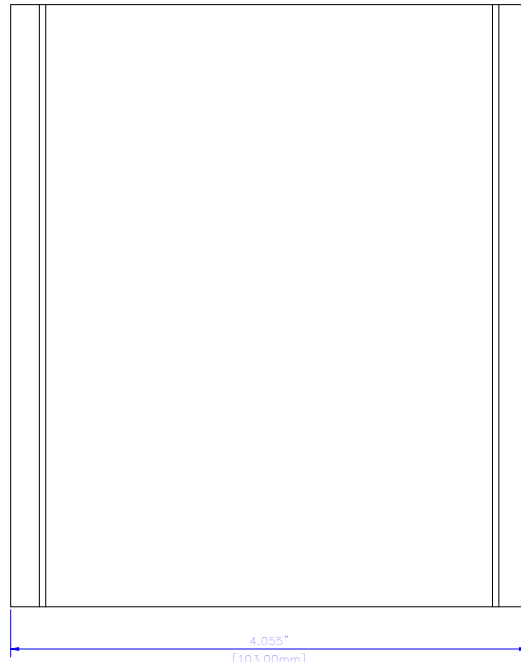
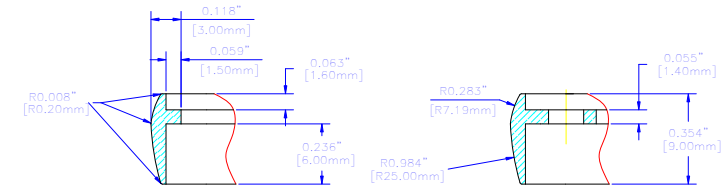


NOTES

Constructed from extruded Al with a minimum thickness of 0.060"(1.50mm)  
 Available in clear or Black anodized finish  
 Version 1 includes two Al end panels, and two Black plastic bezels.  
 Hardware and self-adhesive rubber feet included.

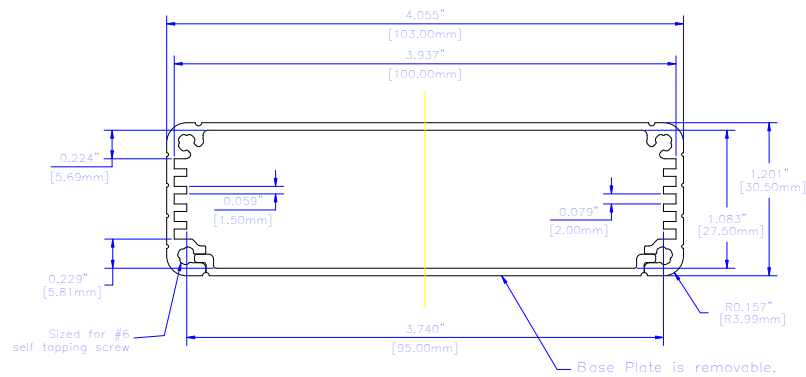


PANEL

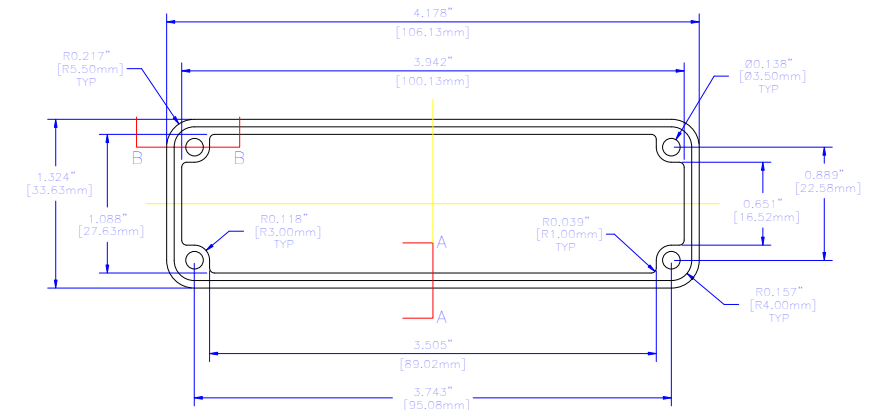


SECTION A-A  
SCALE 2:1

SECTION B-B  
SCALE 2:1



EXTRUSION



BEZEL

For the best fit print on legal size paper.

THIS DRAWING IS PROPRIETARY INFORMATION OF HAMMOND MFG.CO.LTD. NOT TO BE USED WITHOUT EXPRESSED WRITTEN PERMISSION OF HAMMOND MFG.CO.LTD.

Rev	EC	Description	Date	By

Unless otherwise specified dimensions are in inches Tolerances are:

.X	± .1
.XX	± .02
.XXX	± .010
.XXXX	± .0005
Holes	± .0050
Angles	± .5°



Dwn	T. SPARKS
Date	04 11 02
Chk	---
Mat'l	Extruded Aluminum
Sheet	1 of 2

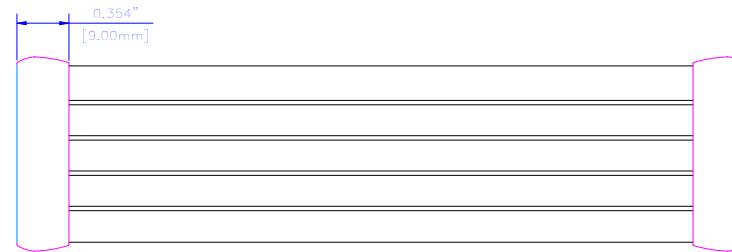
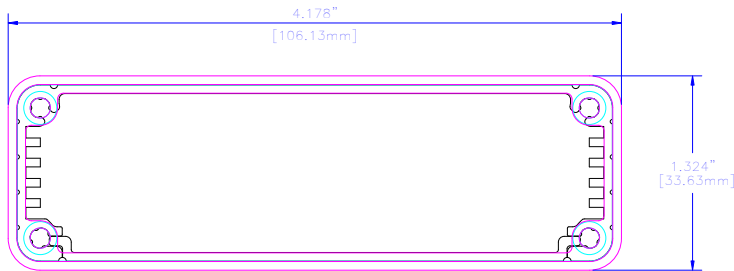
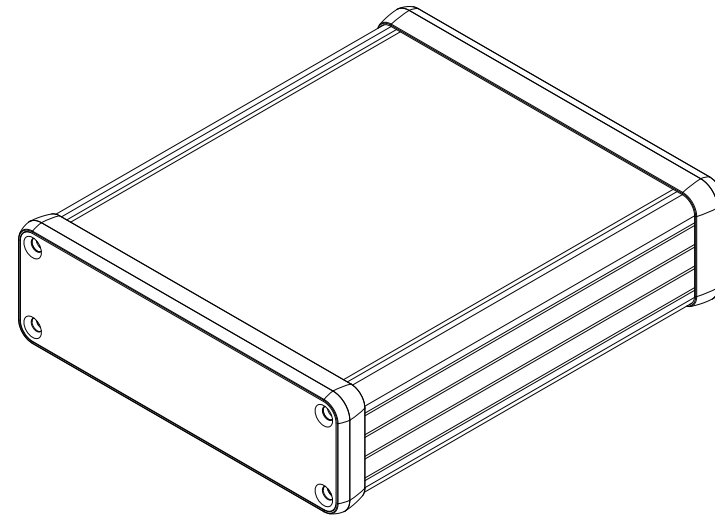
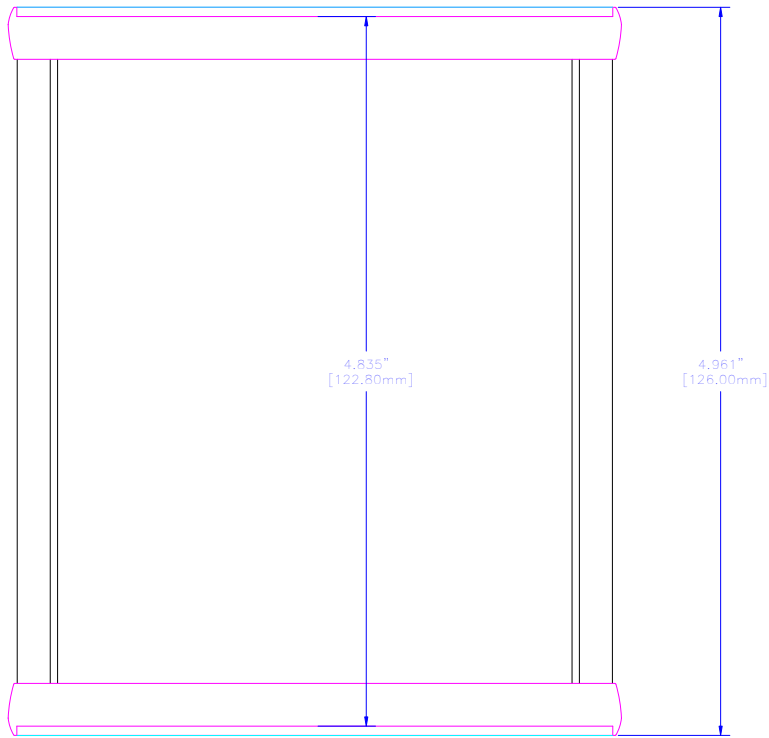
HAMMOND MANUFACTURING CO. LTD.  
 Electronics Group, Waterloo, Ont. - Cheektowaga, NY

HAMMOND 1455 SERIES  
 EXTRUDED ALUMINUM

Part #: 1455L1201 Dwg: 1455L1201/A

NOTES

Constructed from extruded Al with a minimum thickness of 0.060"(1.50mm)  
 Available in clear or Black anodized finish  
 Version 1 includes two Al end panels, and two Black plastic bezels.  
 Hardware and self-adhesive rubber feet included.



For the best fit print on legal size paper.

ASSEMBLED

THIS DRAWING IS PROPRIETARY INFORMATION OF HAMMOND MFG.CO.LTD. NOT TO BE USED WITHOUT EXPRESSED WRITTEN PERMISSION OF HAMMOND MFG.CO.LTD.

Rev	EC	Description	Date	By

Unless otherwise specified dimensions are in inches Tolerances are:

.X	± .1
.XX	± .02
.XXX	± .010
.XXXX	± .0050
Holes	± .005
Angles	± .5°

Dwn	T. SPARKS
Date	04 11 02
Chk	---
Mat'l	Extruded Aluminum
Sheet	2 of 2

 HAMMOND MANUFACTURING CO. LTD.  
 Electronics Group, Waterloo, Ont. - Cheektowaga, NY

HAMMOND 1455 SERIES  
 EXTRUDED ALUMINUM

Part #: 1455L1201 Dwg: 1455L1201/A

