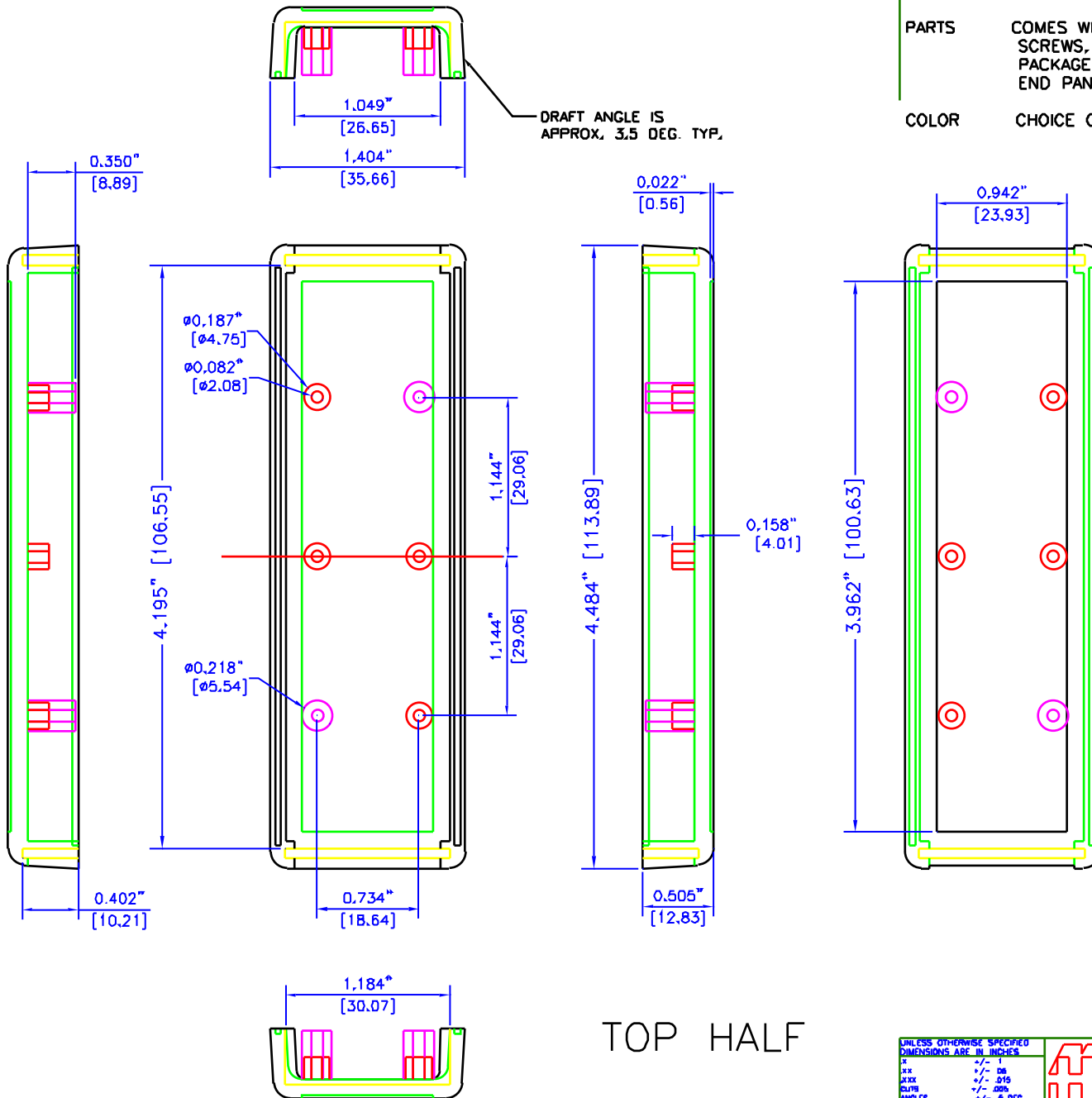


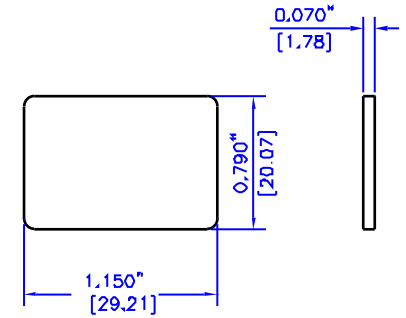
NOTES

- MATERIAL** MOLDED USING GENERAL PURPOSE ABS PLASTIC
- PARTS** COMES WITH SELF TAPPING, OVAL HEAD TYPE, #4 X 0.625" SCREWS, REPLACEMENT PART NUMBER 1593MS100 - PACKAGE OF 100. COMES WITH 2 FLAT AND 2 BEVELED END PANELS.
- COLOR** CHOICE OF BLACK OR GRAY,

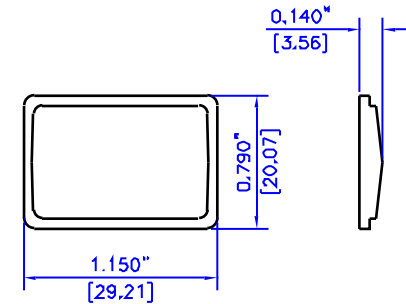


TOP HALF

FLAT END PANEL



BEVELED END PANEL



UNLESS OTHERWISE SPECIFIED
DIMENSIONS ARE IN INCHES

XX +/- .1
XXX +/- .05
XXXX +/- .025
ANGLES +/- .5 DEG.

NOTES

1. UNLESS OTHERWISE SPECIFIED, ALL DIMENSIONS ARE TO BE TAKEN TO THE CENTERLINE OF THE PART.

2. DIMENSIONS TO BE TAKEN TO THE CENTERLINE OF THE PART, UNLESS OTHERWISE SPECIFIED.

3. DIMENSIONS TO BE TAKEN TO THE CENTERLINE OF THE PART, UNLESS OTHERWISE SPECIFIED.

4. DIMENSIONS TO BE TAKEN TO THE CENTERLINE OF THE PART, UNLESS OTHERWISE SPECIFIED.

5. DIMENSIONS TO BE TAKEN TO THE CENTERLINE OF THE PART, UNLESS OTHERWISE SPECIFIED.



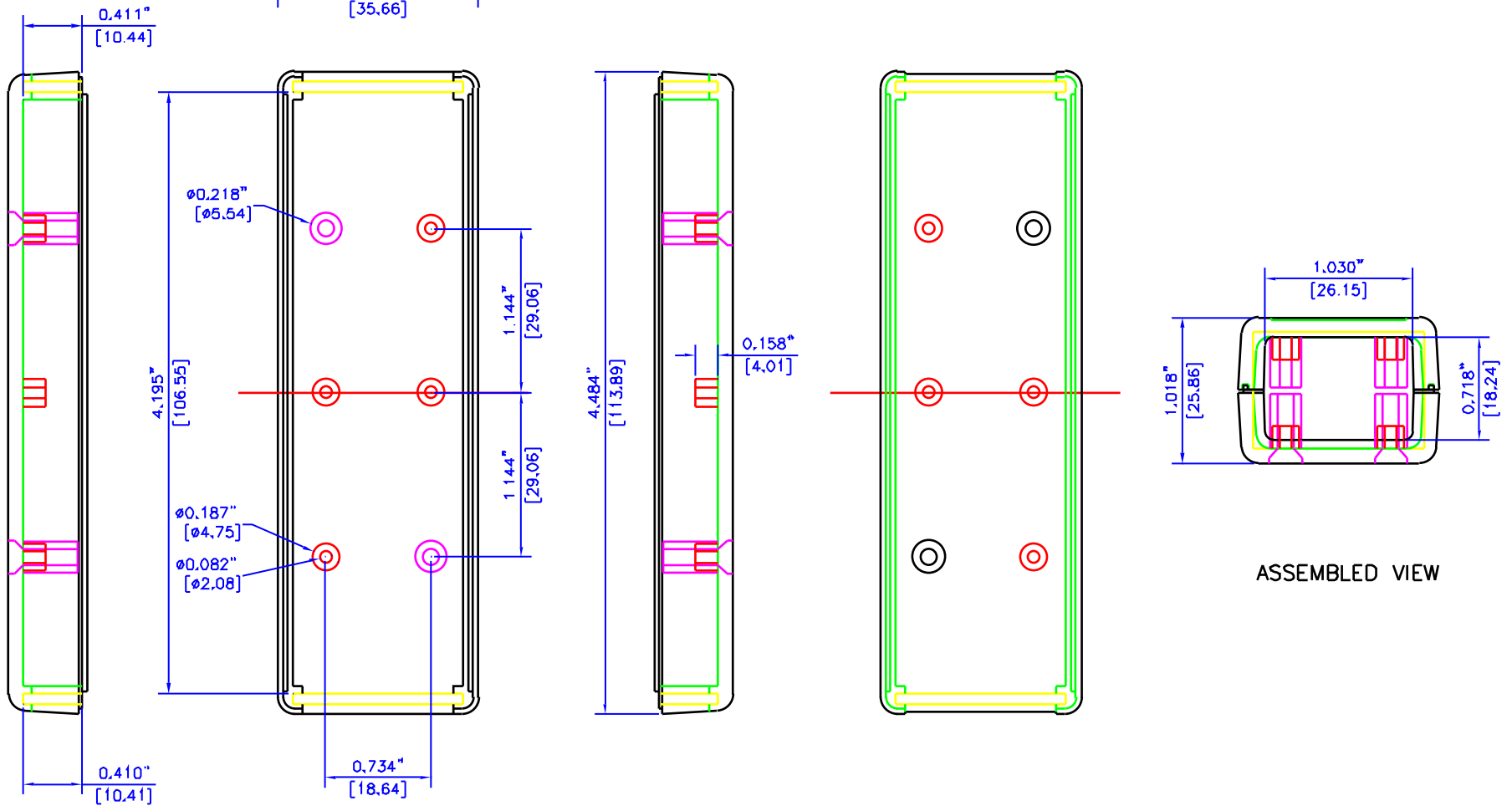
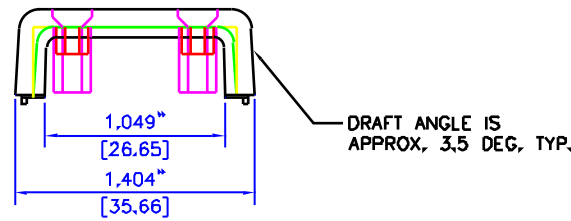
**HAMMOND
MANUFACTURING**

WEB: WWW.HAMMONDMFG.COM

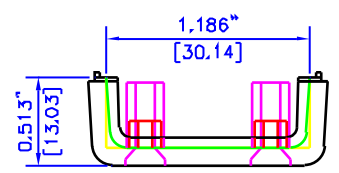
TITLE		HAMMOND 1593 SERIES INSTRUMENT ENCLOSURE	
DRAWN BY	MJM	DATE	01/27/01
SCALE		PAGE	1 OF 2
PART NUMBER		1593D	

NOTES

- MATERIAL** MOLDED USING GENERAL PURPOSE ABS PLASTIC
- PARTS** COMES WITH SELF TAPPING, OVAL HEAD TYPE, #4 X 0.625" SCREWS. REPLACEMENT PART NUMBER 1593MS100 - PACKAGE OF 100, COMES WITH 2 FLAT AND 2 BEVELED END PANELS.
- COLOR** CHOICE OF BLACK OR GRAY,



ASSEMBLED VIEW



BOTTOM HALF

UNLESS OTHERWISE SPECIFIED DIMENSIONS ARE IN INCHES
 XX +/- .1
 XXX +/- .05
 CUTS +/- .005
 ANGLES +/- .5 DEG
 FINISHES
 UNLESS OTHERWISE SPECIFIED TO THE MATERIAL OR HAS OTHERWISE BEEN INDICATED TO BE USED AS A REFERENCE FOR DIMENSIONAL INFORMATION ONLY THE MANUFACTURE PRODUCT SERVICE CENTER PERMISSION FROM HAMMOND MANUFACTURING



TITLE		HAMMOND 1593 SERIES INSTRUMENT ENCLOSURE	
DRAWN BY	MJM	DATE	01/27/01
SCALE		PAGE	2 OF 2
PART NUMBER		1593D	