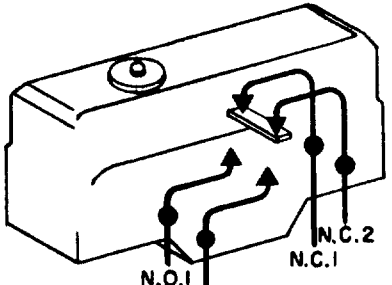


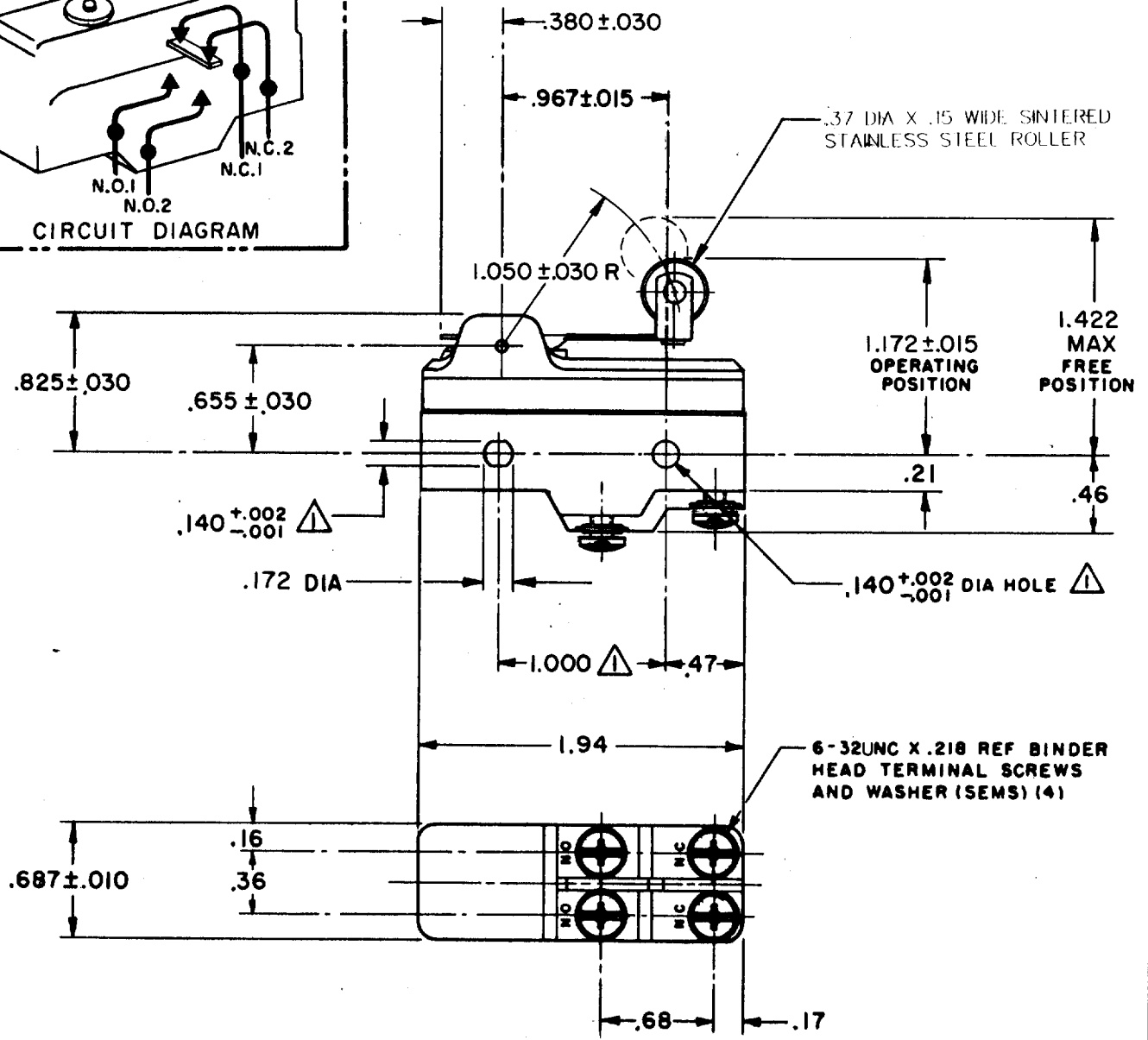
MICRO SWITCH
A DIVISION OF MINNEAPOLIS-HONEYWELL REGULATOR COMPANY
FRANSPORT, MINN. 
FED. MFR. CODE 91929

SWITCH-BASIC

5



CIRCUIT DIAGRAM



NOTE -
 1 - MOUNTING HOLES WILL ACCEPT PINS OR SCREWS OF .139 MAX DIA ON 1.000 ± .002 CENTERS.
 2 - SUITABLE ONLY FOR APPLICATIONS IMPARTING A RAPID STROKE TO THE SWITCH PLUNGER.

THIS DRAWING COVERS A PROPRIETARY ITEM AND IS THE PROPERTY OF MICRO SWITCH, A DIVISION OF MINNEAPOLIS-HONEYWELL REGULATOR CO. THIS DRAWING IS NOT TO BE COPIED OR USED WITHOUT THE APPROVAL OF MICRO SWITCH.

CHARACTERISTICS	ELECTRICAL DATA	SCALE FULL
OPERATING FORCE ----- 8 OZ MAX	CONTACT ARRANGEMENT SINGLE POLE DOUBLE THROW DOUBLE BREAK	DO NOT SCALE PRINT
RELEASE FORCE ----- 1 1/2 OZ MIN	30 VOLTS DC RATING (SEA LEVEL TO 50,000 FT)	UNLESS OTHERWISE SPECIFIED
PRETRAVEL ----- .250 MAX	INDUCTIVE ----- 25 AMP	DIMENSIONS ARE IN INCHES
DIFFERENTIAL TRAVEL ----- .050 MAX	RESISTIVE ----- 30 AMP	TOLERANCES ARE:
OVERTRAVEL ----- .030 MIN	MAXIMUM INRUSH ----- 75 AMP	ONE PLACE (.0) ± .030
	(BASED ON LIFE OF 25,000 OPERATIONS)	TWO PLACE (.00) ± .015
	25A 125, 250, OR 480 VAC L58	THREE PLACE (.000) ± .008
	3/4 HP 125 VAC, 1 1/2 HP 250 VAC	ANGLES ±
	1A 125 VDC, 0.5A 250 VDC	WEIGHT

BA-2SV22T
 ISSUE 5
 REPLACES
 BA-2SV22T
 DRAWING NUMBER
 M
 8
 12
 ISSUE
 8
 12
 REVISIONS
 A CO 15663 DAW 11 JAN 62
 B CO 28424 SRH 26 JAN 71
 C CO63005 JAP 5 APR 88
 D CO-89351-D JWB 18 JUL 91
 E CO-70184-G GJW 9 MAR 92
 F CO-77397 JJO 1 MAY 92
 G CO-75204B DAW 1 FEB 94
 CHECK
 GCH 12 JAN 62
 CHECK
 GCH 12 JAN 62
 CHECK
 GCH 12 JAN 62
 DRAWN
 DAW 11 JAN 62
 FC-50378