



**MICRO SWITCH**  
 FREEPORT ILLINOIS  
 A DIVISION OF HONEYWELL  
 FED. MFG. CODE 91929

# SWITCH - BASIC

CATALOG LISTING  
**BZ - 2R - P5**

**M** BZ - 2R - P5  
 PAGE 1 OF 1

**M**

DRAWING NUMBER

ISSUE 8

REPLACES

RELEASE NO.

CHECK

**REVISIONS**

<b>A</b>	CO16851	6 CH	4 MARCH 83
<b>B</b>	CO 37037	6 LH	7 JULY 78
<b>C</b>	CO-73287-G	JAL	20 OCT 93
<b>D</b>	CO-75367B	KDR	3 MAR 94
<b>E</b>	CO-77863	GJW	2 MAY 96
<b>F</b>	CO93346	DLT	1 SEP 98

CHECK

DATE

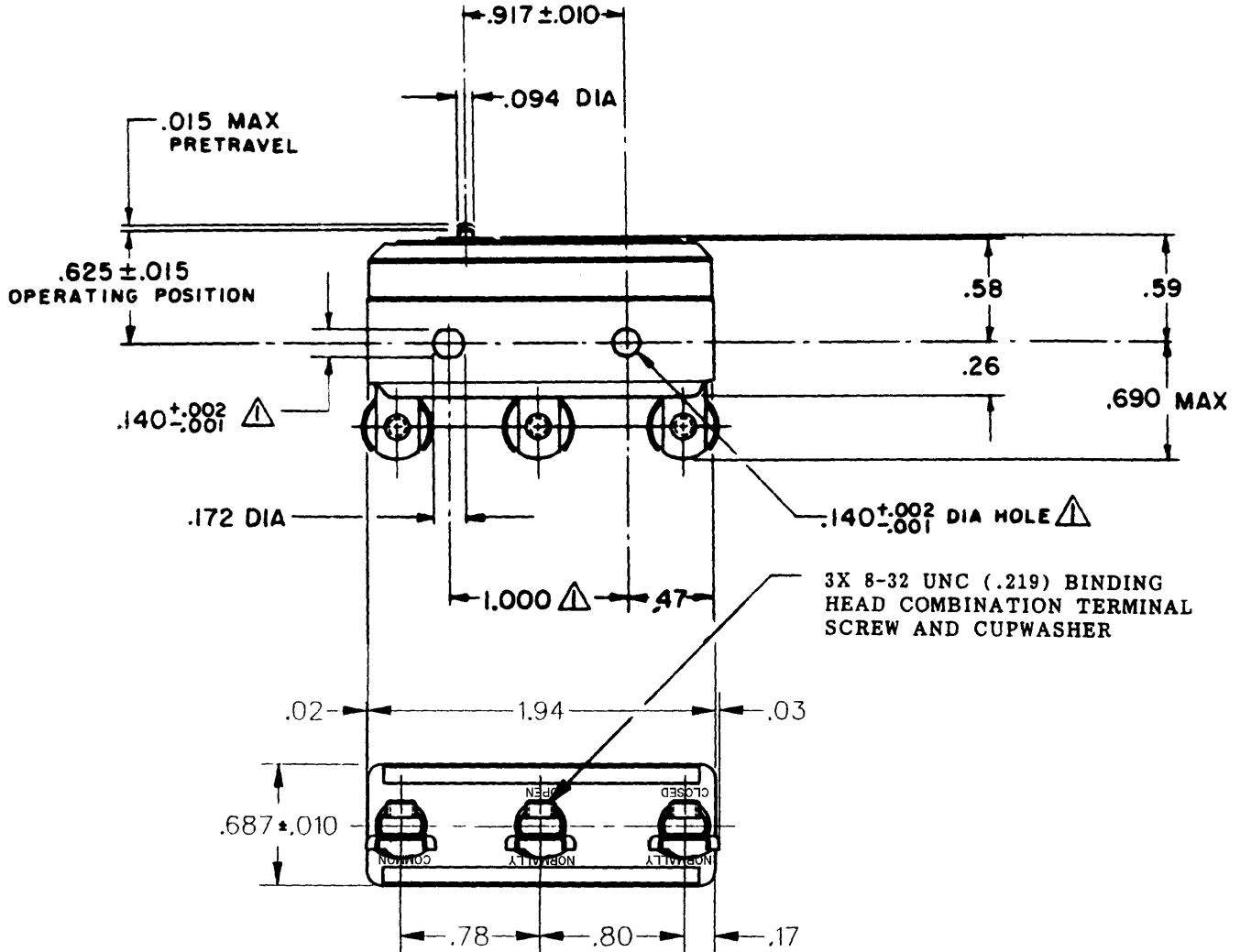
BY

DAW

CHECK

DATE

BY



**NOTE**  
 ▲ - MOUNTING HOLES WILL ACCEPT PINS OR SCREWS OF .139 MAX DIA ON 1.000 ± .002 CENTERS

THIS DRAWING COVERS A PROPRIETARY ITEM AND IS THE PROPERTY OF MICRO SWITCH, A DIVISION OF MINNEAPOLIS-HONEYWELL REGULATOR CO. THIS DRAWING IS NOT TO BE COPIED OR USED WITHOUT THE APPROVAL OF MICRO SWITCH.

CHARACTERISTICS	ELECTRICAL DATA	SCALE FULL
OPERATING FORCE ----- 9 - 13 OZ	CONTACT ARRANGEMENT S P D T	DO NOT SCALE PRINT
RELEASE FORCE ----- 4 OZ MIN	UL LISTED - FILE E12252 15A - 125, 250 OR 480 VAC, 2A - 600 VAC 1/8HP - 125 VAC; 1/4HP - 250 VAC 1/2A - 125 VDC; 1/4A - 250 VDC CODE L74 L288 L299 L306	UNLESS OTHERWISE SPECIFIED DIMENSIONS ARE IN INCHES
DIFFERENTIAL TRAVEL ----- .0004 - .0020		TOLERANCES ARE: ONE PLACE (.0) ±.030 TWO PLACE (.00) ±.018 THREE PLACE (.000) ±.008 ANGLES ±
OVERTRAVEL ----- .005 MIN		CE (D) (S) 16A 250V ~ T85 5E4
		WEIGHT .075 LB

FORMTEK  
 FO-50378

DRAWN

GCH 4 MARCH 83