

MICRO SWITCH

FREEMONT ILLINOIS, U.S.A.
A DIVISION OF HONEYWELL
FED. MFG. CODE 91929

SWITCH-BASIC

CATALOG LISTING

BZ-2RW86324-A2

APY6600

M BZ-2RW86324-A2

PAGE 1 OF 1

REPLACES X-82424-BZ

RELEASE NO. PR-14125

DRAWING NUMBER

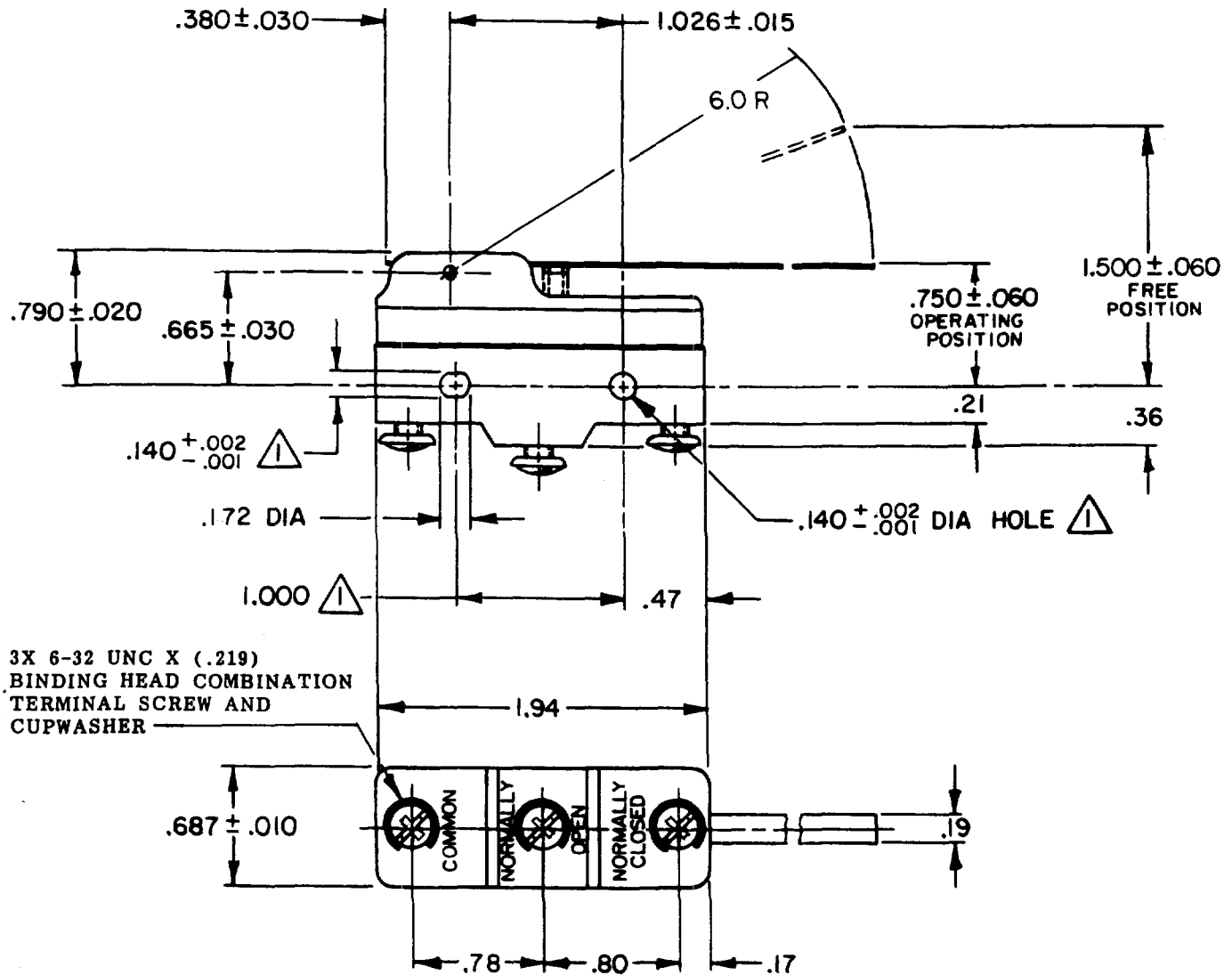
7

ISSUE

CHECK

REVISIONS

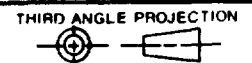
A	061823	KAG	08DEC05
B	064294	AMF	08DEC05
C	73287-J	JAL	08DEC05
D	77588	MAM	08DEC05
E	093346	KRB	08DEC05
F	0017579	KRB	08DEC05



3X 6-32 UNC X (.219)
BINDING HEAD COMBINATION
TERMINAL SCREW AND
CUPWASHER

- NOTES**
- 1 MOUNTING HOLES WILL ACCEPT PINS OR SCREWS OF .139 MAX DIA ON 1.000 .002 CENTERS
 - 2 SWITCH WILL WITHSTAND TEMPERATURE OF 250°F

THIS DRAWING COVERS A PROPRIETARY ITEM AND IS THE PROPERTY OF MICRO SWITCH, A DIVISION OF HONEYWELL. THIS DRAWING IS NOT TO BE COPIED OR USED WITHOUT THE APPROVAL OF MICRO SWITCH.



CHARACTERISTICS

OPERATING FORCE - - - - 1 OZ MAX

DIFFERENTIAL TRAVEL - - - .018 - .140

OVERTRAVEL - - - - - .500 MIN

ELECTRICAL DATA

CONTACT ARRANGEMENT
S P D T

-L96- 15 A-125, 250, OR 480 VAC
1/2 A-125 VDC; 1/4 A-250 VDC
1/8 HP-125 VAC, 1/4 HP-250 VAC



16A 250V ~ T85 5E4

SCALE FULL

DO NOT SCALE PRINT

APPLY TO DESIGN UNITS. CONVERSIONS ARE ONLY FOR REFERENCE. UNLESS NOTED, TOLERANCES ARE ±

	DES. UNITS	TOL.	DES. UNITS	TOL.
NO PLACES	X	1/100	X.X	0.0100
ONE PLACE	X.X	0.0010	X.XX	0.0010
TWO PLACES	X.XX	0.00010	X.XXX	0.00010
THREE PLACES	X.XXX	0.000010	X.XXXX	0.000010

DESIGN UNITS SI METRIC US CUSTOMARY

WEIGHT

FORMTEK

FO-52848-A

DRAWN

T A D 26 AUG 85 CHECK KAG 3 SEPT 85