



MICRO SWITCH

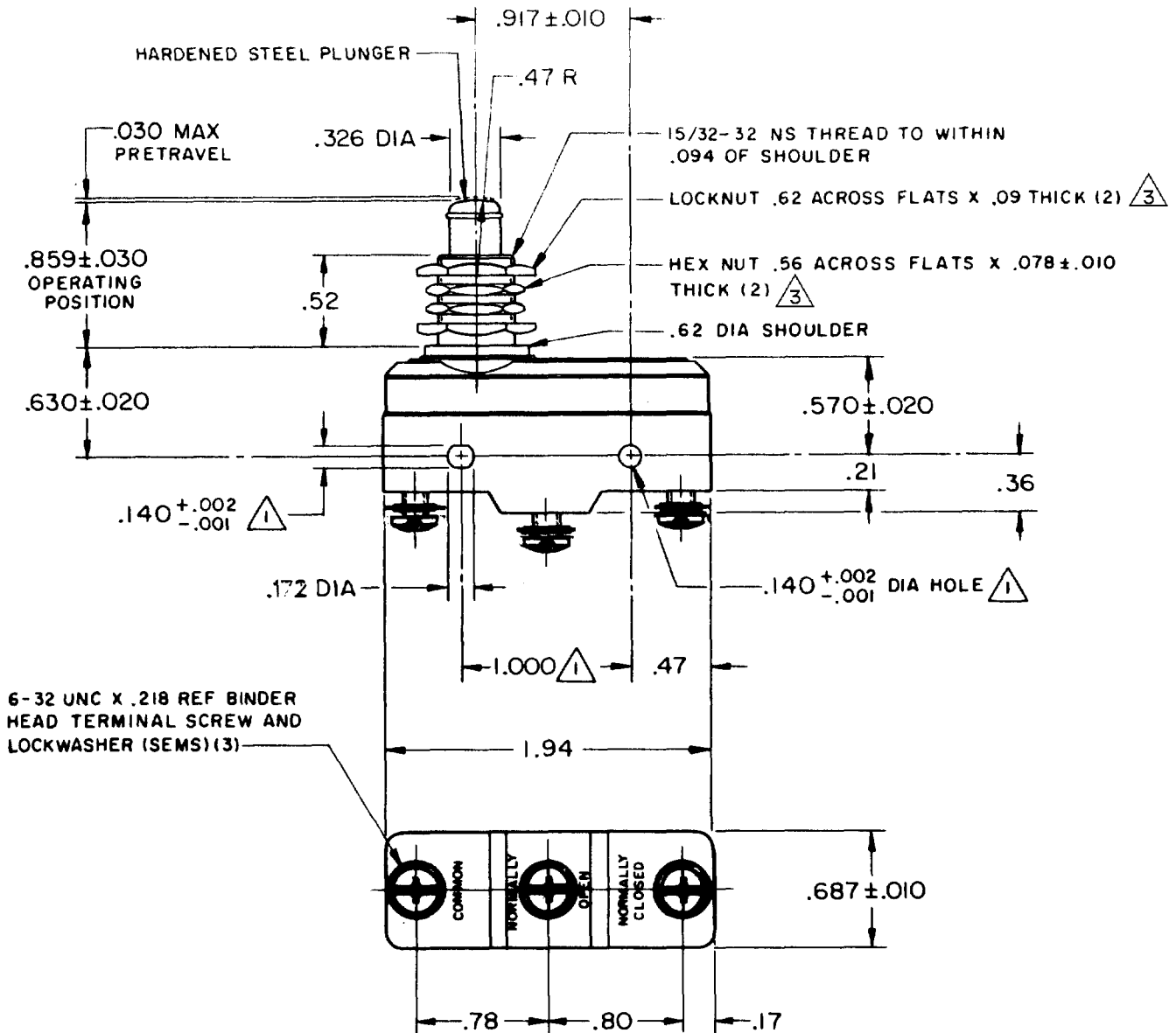
FREEPORT, ILLINOIS, U.S.A.
A DIVISION OF HONEYWELL

FED. MFG. CODE 91829

SWITCH - BASIC

CATALOG LISTING

BZ-7RQ1T



- NOTES
- (1) MOUNTING HOLES WILL ACCEPT PINS OR SCREWS OF .139 MAX DIA ON 1.000 ± .002 CENTERS
 - 2 - SWITCH WILL PERFORM SATISFACTORILY IN TEMPERATURES TO MINUS 65 °F
 - (3) HARDWARE FURNISHED UNASSEMBLED

THIS DRAWING COVERS A PROPRIETARY ITEM AND IS THE PROPERTY OF MICRO SWITCH, A DIVISION OF MINNEAPOLIS-HONEYWELL REGULATOR CO. THIS DRAWING IS NOT TO BE COPIED OR USED WITHOUT THE APPROVAL OF MICRO SWITCH.

CHARACTERISTICS	ELECTRICAL DATA	SCALE FULL
OPERATING FORCE ----- 22 - 28 OZ	CONTACT ARRANGEMENT S P D T	DO NOT SCALE PRINT
RELEASE FORCE ----- 4 OZ MIN	UNDERWRITERS' LAB. INC. LISTED RATING	UNLESS OTHERWISE NOTED
DIFFERENTIAL TRAVEL ----- .0025 - .0050	-L96- 15 A - 125, 250, OR 480 VAC	DIMENSIONS ARE IN INCHES
OVERTRAVEL ----- .219 MIN	-L288- 1/2 A - 125 VDC, 1/4 A - 250 VDC	TOLERANCES ARE:
	-L299- 1/8 HP - 125 VAC, 1/4 HP - 250 VAC	ONE PLACE (.0) ± .030
	-L306-	TWO PLACE (.00) ± .015
	16A 250V ~ T85 5E4	THREE PLACE (.000) ± .005
		ANGLES ±
		WEIGHT .094 LB

FORMTEK FO-90378
 DRAWN G C H
 CHECK L. S. D
 20 MAY 63
 15 JUN 63
 REVISIONS
 A CO17410 6 C H 20 MAY 63
 B CO-82341-D JWB 18 JUL 91
 C CO-77589 K D R 29 MAR 94
 D CO-82133 CSL 31 JUL 96
 E CO93346 D L T 11 SEP 98
 ISSUE 18
 DRAWING NUMBER MBZ-7RQ1T
 PAGE 1 OF 1
 REPLACES
 RELEASE NO.