

# MICRO SWITCH

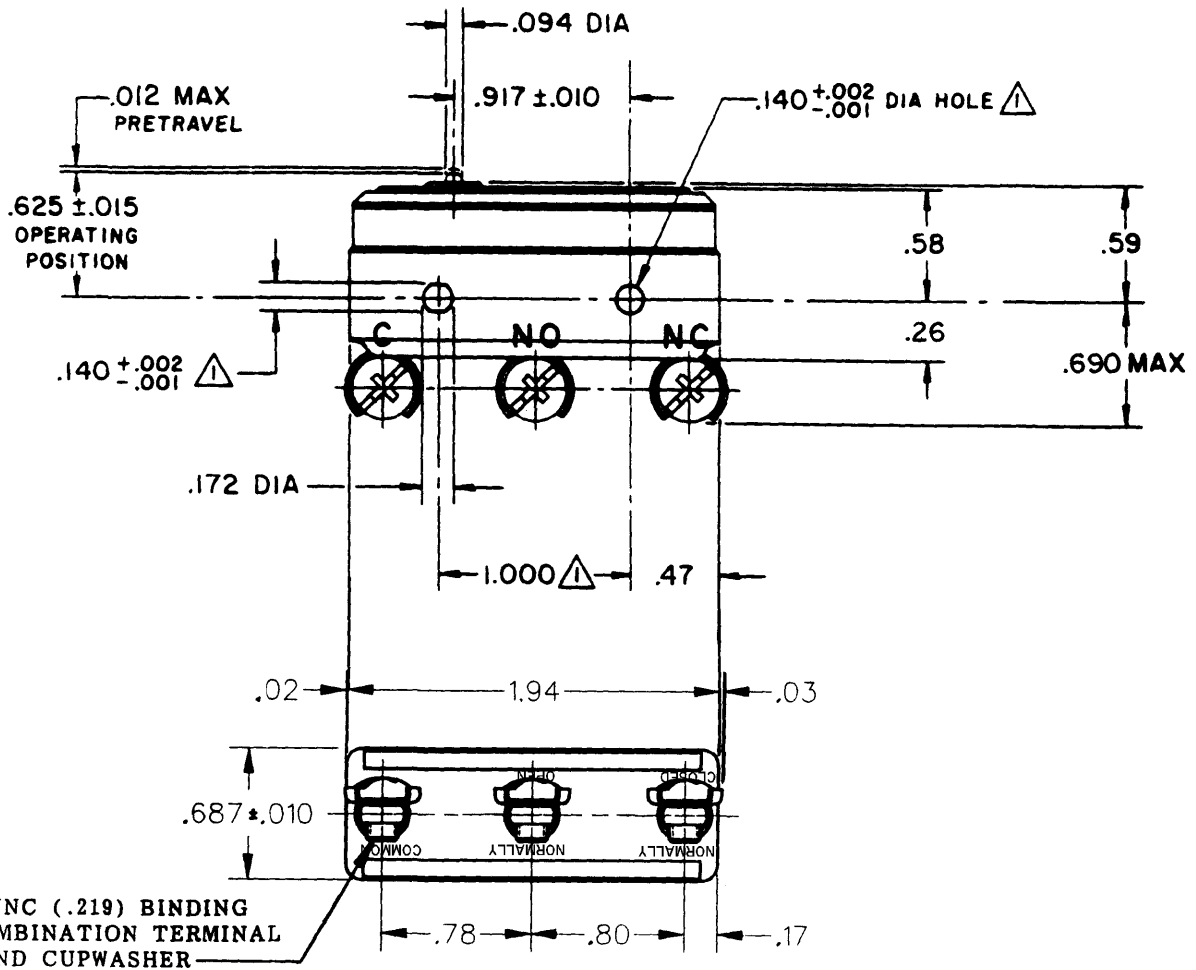
FREEPORT ILLINOIS, U.S.A.  
A DIVISION OF HONEYWELL  
FED. MFG. CODE 91929

## SWITCH-BASIC

CATALOG LISTING  
**BZ-R330-P4**

CATALOG LISTING  
 BZ-R330-P4  
 PAGE 1 OF 1  
 ISSUE 5  
 REVISIONS  
 A 75287-G JAT 20 OCT 93  
 B CO-75367B KDR 3 MAR 94  
 C CO-77863 GJW 1 MAY 96  
 D C092984 JAS 27 MAY 98  
 CHECKED ZIAPR87  
 DRAWN FORMTEK  
 TSK 20 APR 87

RELEASE NO. PR-15563  
 REPLACES  
 CHECK

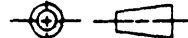


3X 8-32 UNC (.219) BINDING HEAD COMBINATION TERMINAL SCREW AND CUPWASHER

**NOTE**  
 MOUNTING HOLES WILL ACCEPT PINS OR SCREWS OF .139 MAX DIA ON 1.000 ± .002 CENTERS

THIS DRAWING COVERS A PROPRIETARY ITEM AND IS THE PROPERTY OF MICRO SWITCH, A DIVISION OF HONEYWELL. THIS DRAWING IS NOT TO BE COPIED OR USED WITHOUT THE APPROVAL OF MICRO SWITCH.

THIRD ANGLE PROJECTION



### CHARACTERISTICS

OPERATING FORCE - - - - - 7-10 OZ  
 DIFFERENTIAL FORCE - - - - - 1/2-1 1/4 OZ  
 DIFFERENTIAL TRAVEL - - - .0005 MAX  
 OVERTRAVEL - - - - - .005 MIN

### ELECTRICAL DATA

CONTACT ARRANGEMENT  
 S P D T

15A 125, 250 OR 480 VAC  
 1/8HP 125, 1/4 HP 250 VAC

L103

FIG. 103



SCALE FULL

DO NOT SCALE PRINT

TOLERANCES  
 APPLY TO DESIGN UNITS. CONVERSIONS ARE ONLY FOR REFERENCE. UNLESS NOTED, TOLERANCES ARE ±

	DIS. mm	TOL. mm/in	DIS. in	TOL. mm/in
NO PLACES	X	17.94	X	0.67/28
ONE PLACE	X, X	0.47/20	X, X	0.20/20
TWO PLACES	X, X, X	0.15/200	X, X, X	0.20/200
THREE PLACES	X, X, X, X		X, X, X, X	0.15/200

DESIGN UNITS  SI METRIC  US CUSTOMARY

WEIGHT .074 LB