

# MICRO SWITCH

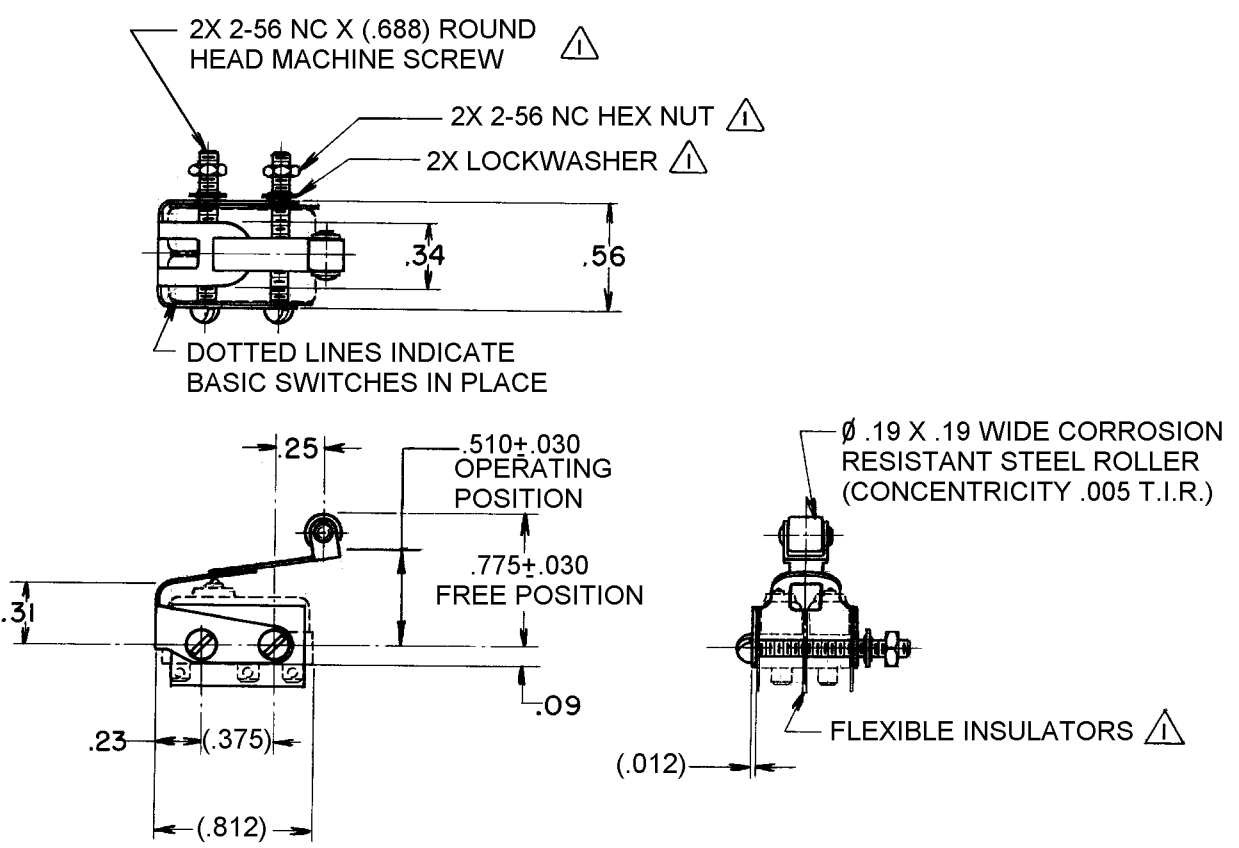
A DIVISION OF MINNEAPOLIS-HONEYWELL REGULATOR COMPANY  
 FREDERICK, MARYLAND  
 FED. MFR. CODE 91929

## ACTUATOR - SWITCH

CATALOG LISTING

JS-54

CATALOG LISTING  
**JS-54**  
 PAGE 1 OF 1  
**M**  
 DRAWING NUMBER  
**5**  
 ISSUE  
 REVISIONS  
 A CO12901 MBF 18 MAY 59  
 B CO47771 CJH 17 MAY 80  
 C CO79303 DLT 7 MAR 95  
 D 202508 CSL 6 MAR 01  
 R. G. C. 12, DEC. '56  
 CHECK GCH 19 DEC. '56  
 CHECK BLS 14 DEC. '56  
 CHECK ENT 17 DEC. '56  
 RELEASE NO. SR 5971  
 REPLACES  
 FO-50378  
 DRAWN  
 RASTER



NOTE  
 ⚠ FURNISHED UNASSEMBLED

THIS DRAWING COVERS A PROPRIETARY ITEM AND IS THE PROPERTY OF MICRO SWITCH, A DIVISION OF HONEYWELL. THIS DRAWING IS NOT TO BE COPIED OR USED WITHOUT THE APPROVAL OF MICRO SWITCH.

CHARACTERISTICS WITH ISM BASIC SWITCH INSTALLED	
OPERATING FORCE	----- 12 OZ MAX
RELEASE FORCE	----- 6 OZ MIN
PRETRAVEL	----- .318 MAX
DIFFERENTIAL TRAVEL	----- .060 MAX
OVERTRAVEL	----- .020 MIN

ELECTRICAL DATA	
CONTACT ARRANGEMENT	BREAK DISTANCE

SCALE FULL		
DO NOT SCALE PRINT		
UNLESS OTHERWISE SPECIFIED		
DIMENSIONS ARE IN INCHES		
TOLERANCES ARE:		
ONE PLACE	(.0)	±.030
TWO PLACE	(.00)	±.015
THREE PLACE	(.000)	±.005
ANGLES		±
WEIGHT		