

MICRO SWITCH

A DIVISION OF MINNEAPOLIS-HONEYWELL REGULATOR COMPANY
 PROSPER, ILLINOIS
 FED. MFR. CODE 91929

SWITCH - BASIC

CATALOG LISTING

MT-4RL

(M) MT-4RL
 REPLACES ISSUE 9

MT-4RL
 PAGE 1 OF 1

M

DRAWING NUMBER

ISSUE

10X

14

12

14

RELEASE NO.

CHECK

CHECK

CHECK

CHECK

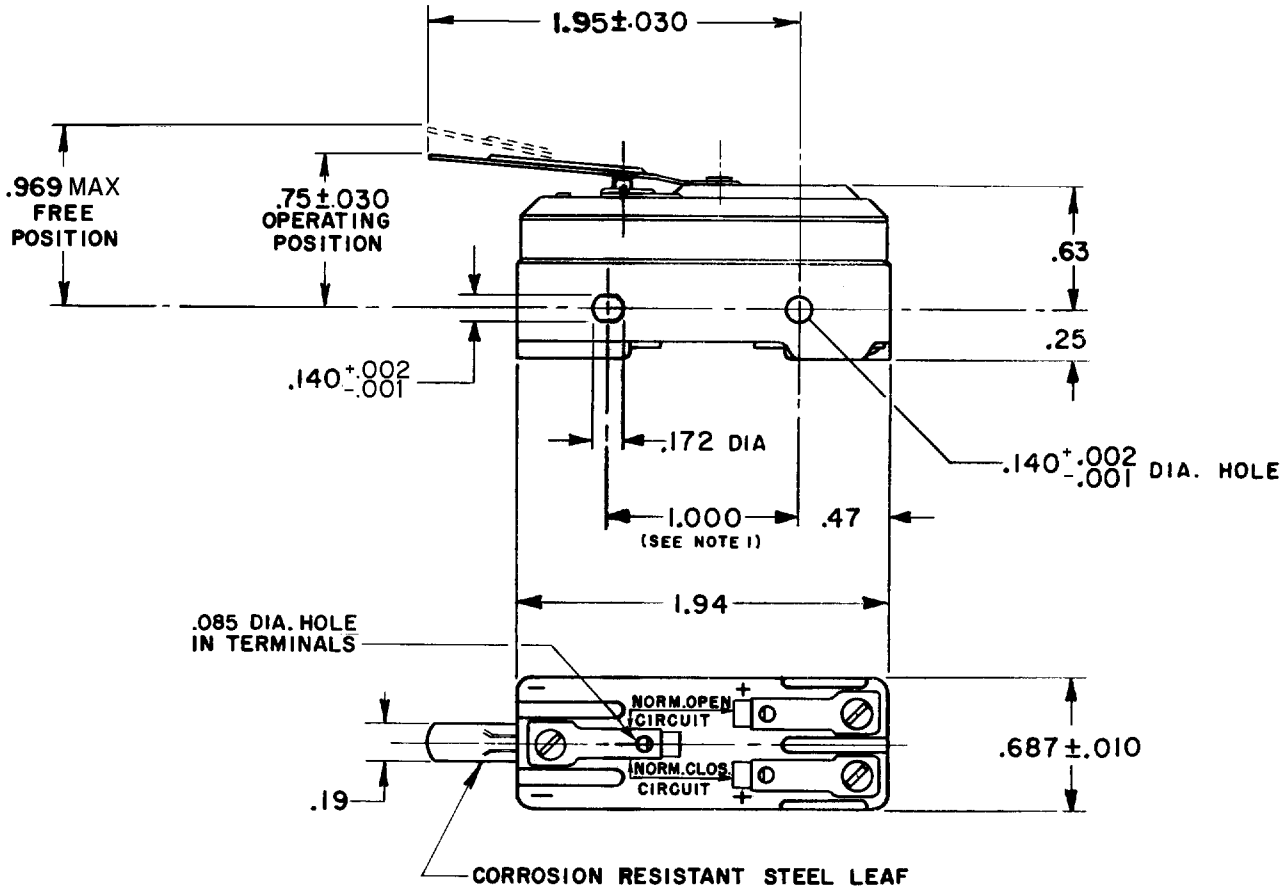
REVISIONS

A	CO11613	R.E.R.	6 AUG. 57
B	CO12369	K.L.B.	11 DEC. 57
C	CO13960	M.B.F.	23 OCT 59
D	CO35255	G.L.H.	1 MAY 75
E	CO46819	W.J.M.	26 NOV 79
F	CO95712	D.L.T.	11 OCT 99

J.W.H. 7 AUG. 57

G.C.H. 7 AUG. 57

R.E.R. 6 AUG. 57



NOTES

- 1-MOUNTING HOLES WILL ACCEPT PINS OR SCREWS OF .139 MAX. DIA. ON 1.000±.002 CENTERS
- 2-FOR BEST RESULTS EITHER POLARIZE THE SWITCH WITH THE COMMON TERMINAL WIRED IN NEGATIVE POLARITY OR MOUNT THE SWITCH WITH BRASS SCREWS AND SPACE AT LEAST .250 AWAY FROM MAGNETIC MATERIALS

THIS DRAWING COVERS A PROPRIETARY ITEM AND IS THE PROPERTY OF MICRO SWITCH, A DIVISION OF HONEYWELL. THIS DRAWING IS NOT TO BE COPIED OR USED WITHOUT THE APPROVAL OF MICRO SWITCH.

CHARACTERISTICS

OPERATING FORCE - - - - 12 OZ. MAX.
 RELEASE FORCE - - - - - 1 OZ. MIN.
 DO NOT OVERTRAVEL MORE THAN .060

ELECTRICAL DATA

CONTACT ARRANGEMENT S. P. D. T.			
NON-POLARIZED	VOLTS D-C 125 250	MOTOR 1/4 HP + -	RESISTIVE 10 AMPS 1.5 TO 3.0*
POLARIZED OR NON-MAGNETICALLY MOUNTED	VOLTS D-C 125 250	MOTOR 1/2 HP + -	RESISTIVE 10 AMPS 1.5 TO 3.0*
* NOT SUITABLE FOR USE AT LESS THAN 1.5 AMPS + WILL NOT BREAK LOCKED ROTOR CURRENT			
UND. LAB. INC. LISTED RATING (NON-POLARIZED) -L168 10A-125 VDC OR AC; 1/4 HP-125 VDC OR AC			

SCALE FULL

DO NOT SCALE PRINT
 UNLESS OTHERWISE SPECIFIED
 DIMENSIONS ARE IN INCHES
TOLERANCES ARE:
 ONE PLACE (.0) ±.030
 TWO PLACE (.00) ±.015
 THREE PLACE (.000) ±.005
 ANGLES ±

WEIGHT .060 LB.

FORMTEK

DRAWN

74-98