

Waterproof D-Sub Connectors

Standard Density, Right Angle PCB



**RoHS
Compliant**



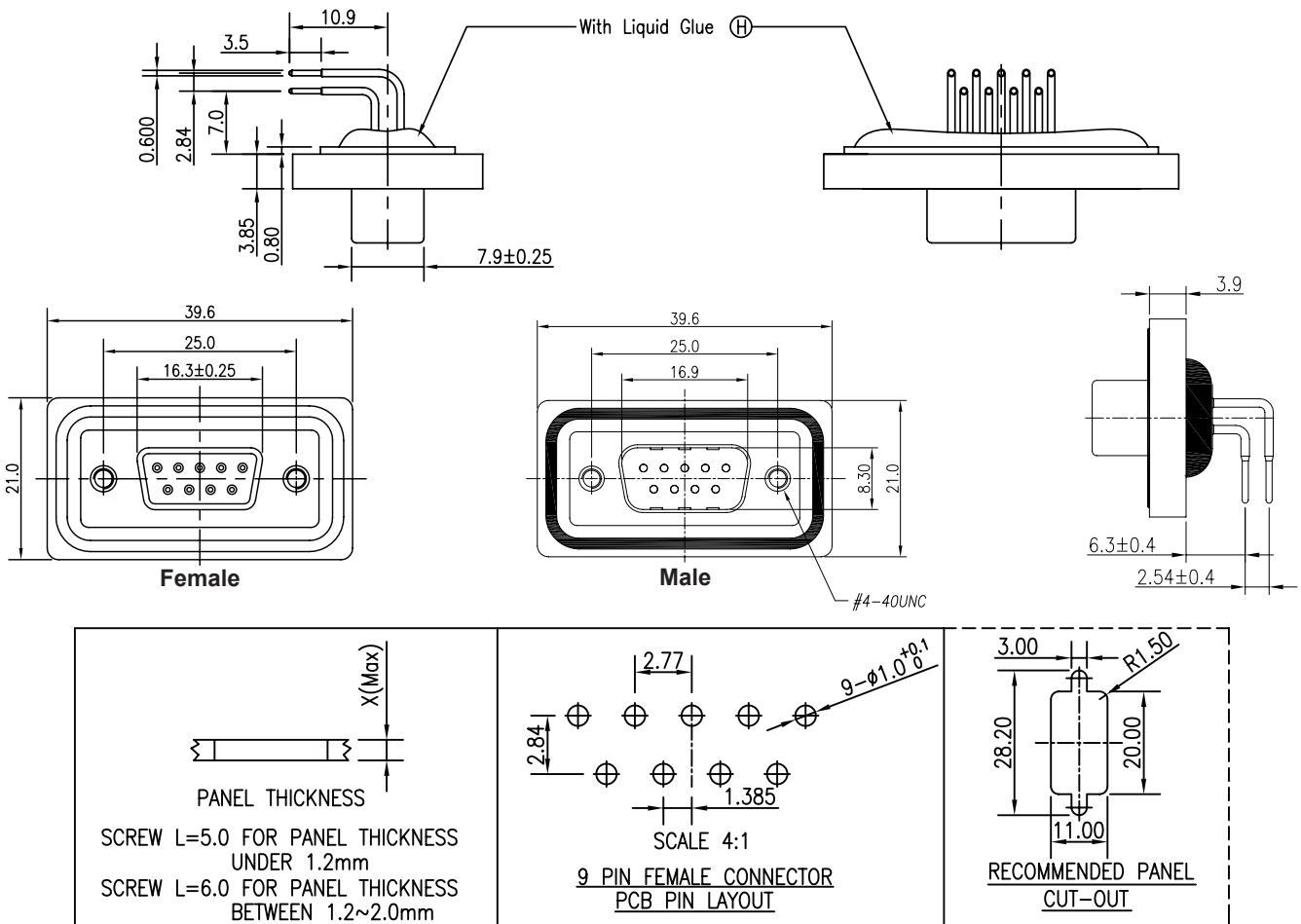
MC000960



MC000963

Specifications:

Manufacturer Identifications	: Standard D-SUB
Pin Configuration	: 9
Current Rating	: 5A (Single contact)
Voltage Rating	: 120V AC
Dielectric Withstanding Voltage	: 1,000V AC R.M.S.
Insulation Resistance	: 100MΩ Min. at 500V DC
Contact Resistance	: 25mΩ Max.
Operating Temperature	: -40°C to +105°C
IP Rating	: IP67
Waterproof Rate	: IP68 (when properly mated)



Dimensions : Millimetres

www.element14.com
www.farnell.com
www.newark.com

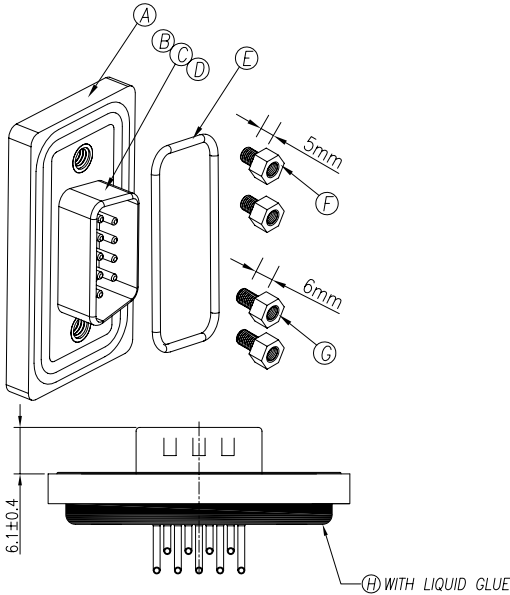


Waterproof D-Sub Connectors

Standard Density, Right Angle PCB

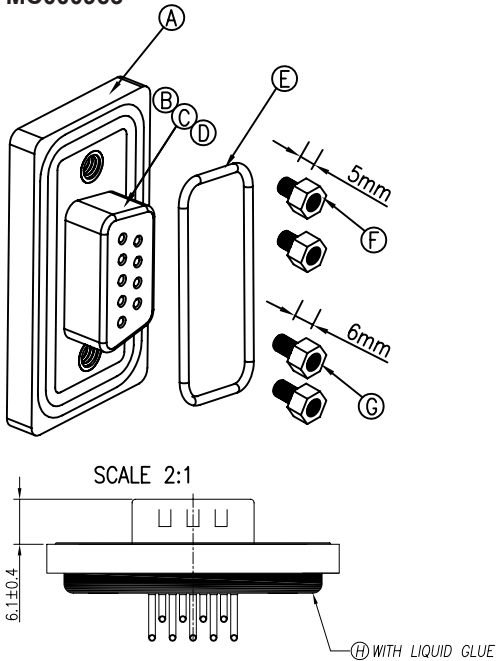


MC000960



No.	Description	Qty	Material	Plating & Colour
A	D-Sub 9 pin core	1	Nylon+33%GF	Black
B	Insulator	2	PBT	Black
C	Shell	2	Cold Roller Steel	Ni Plated
D	Male Pin	9	Brass	Gold Plated
E	O-Ring	1	Silicon	Light Blue
F	Screw	2	Brass	Ni Plated 80µ
G	Screw	2	Brass	Ni Plated 80µ
H	Liquid Glue	1	N/A	Black

MC000963



No.	Description	Qty	Material	Plating & Colour
A	D-Sub 9 pin core	1	Nylon+33%GF	Black
B	Insulator	2	PBT	Black
C	Shell	2	Cold Roller Steel	Ni Plated
D	Female Pin	9	Phosphor Bronze	Gold Plated
E	O-Ring	1	Silicon	Light Blue
F	Screw	2	Brass	Ni Plated 80µ
G	Screw	2	Brass	Ni Plated 80µ
H	Liquid Glue	1	N/A	Black

Part Number Table

Description	Part Number
Waterproof D-Sub 9 pin Male Connectors; Standard Density, Right Angle PCB	MC000960
Waterproof D-Sub 9 pin Female Connectors; Standard Density, Right Angle PCB	MC000963

Dimensions : Millimetres

Important Notice : This data sheet and its contents (the "Information") belong to the members of the Premier Farnell group of companies (the "Group") or are licensed to it. No licence is granted for the use of it other than for information purposes in connection with the products to which it relates. No licence of any intellectual property rights is granted. The Information is subject to change without notice and replaces all data sheets previously supplied. The Information supplied is believed to be accurate but the Group assumes no responsibility for its accuracy or completeness, any error in or omission from it or for any use made of it. Users of this data sheet should check for themselves the Information and the suitability of the products for their purpose and not make any assumptions based on information included or omitted. Liability for loss or damage resulting from any reliance on the Information or use of it (including liability resulting from negligence or where the Group was aware of the possibility of such loss or damage arising) is excluded. This will not operate to limit or restrict the Group's liability for death or personal injury resulting from its negligence. Multicomp is the registered trademark of the Group. © Premier Farnell plc 2012.

www.element14.com
www.farnell.com
www.newark.com

