

Waterproof D-Sub Connectors

Standard Density, Cable Mount Solder Pin



RoHS
Compliant



MC000969



MC000970

Specifications:

Manufacturer Identifications : Standard D-SUB
Current Rating : 5A
Pin Configuration : 9

Material

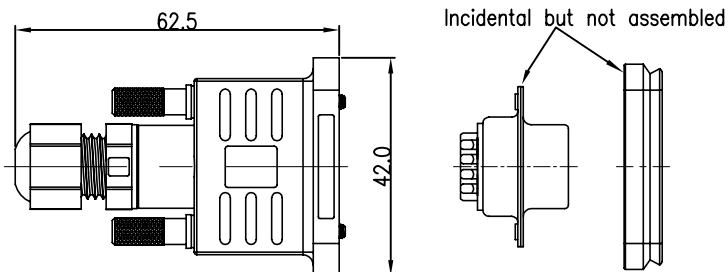
Contact : Copper Alloy, Gold Plated
Connector Body : PBT or Nylon 9T
Shield : Steel, Nickel Plated

Temperature Range

Cable : -20°C to +80°C (PVC)
Connector Body- Panel : -40°C to +100°C
Connector Body - Assembly : -20°C to +80°C

Electrical Characteristics

Contact Resistance : 10mΩ Max.
Hi-Pot test : 1,000V AC 5mA (1 minute)
Insulation Resistance : 100MΩ Min. by 500V DC
IP Rating : IP67



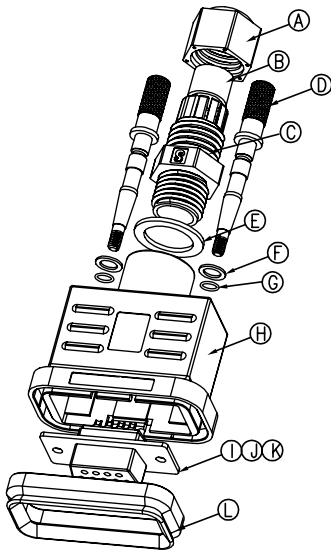
Dimensions : Millimetres

www.element14.com
www.farnell.com
www.newark.com

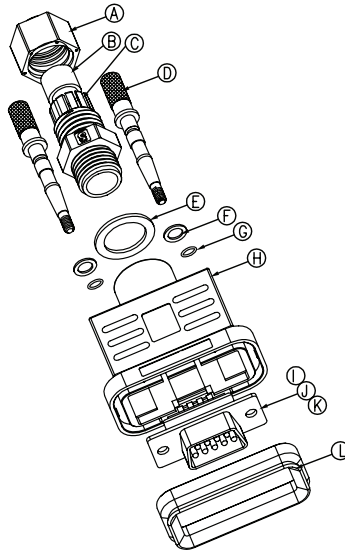


Waterproof D-Sub Connectors

Standard Density, Cable Mount Solder Pin



MC000969



MC000970

No	Description	Qty	Material	Plating & Colour
A	Sealing Nut	1	PC	Black
B	Seal	1	EPDM	Black
C	Clamp Ring	1	PC	Black
D	Screw	2	HBi59-1.5B	Nickel Plating 100 μ "
E	O-Ring 1	1	Silicon	Black
F	O-Ring 2	2	EPDM	Black
G	O-Ring 3	2	Silicone	Clear
H	Housing	1	ABS UL94V-0	Black
I	Shell	2	Cold Roller Steel	Nickel Plating 60 μ "
J	Insulator	2	PBT	Black
K	Male / Female Pin	9	Brass	(1 to 3) μ " Gold plating over nickel plating
L	Gasket	1	EPDM	Black

Part Number Table

Description	Part Number
Waterproof D-Sub 9 pin Female Connectors; Standard Density, Straight PCB	MC000969
Waterproof D-Sub 9 pin Male Connectors; Standard Density, Straight PCB	MC000970

Important Notice : This data sheet and its contents (the "Information") belong to the members of the Premier Farnell group of companies (the "Group") or are licensed to it. No licence is granted for the use of it other than for information purposes in connection with the products to which it relates. No licence of any intellectual property rights is granted. The Information is subject to change without notice and replaces all data sheets previously supplied. The Information supplied is believed to be accurate but the Group assumes no responsibility for its accuracy or completeness, any error in or omission from it or for any use made of it. Users of this data sheet should check for themselves the Information and the suitability of the products for their purpose and not make any assumptions based on information included or omitted. Liability for loss or damage resulting from any reliance on the Information or use of it (including liability resulting from negligence or where the Group was aware of the possibility of such loss or damage arising) is excluded. This will not operate to limit or restrict the Group's liability for death or personal injury resulting from its negligence. Multicom is the registered trademark of the Group. © Premier Farnell plc 2012.

www.element14.com
www.farnell.com
www.newark.com

