

5

4

3

2

1

D

C

B

A

D

C

B

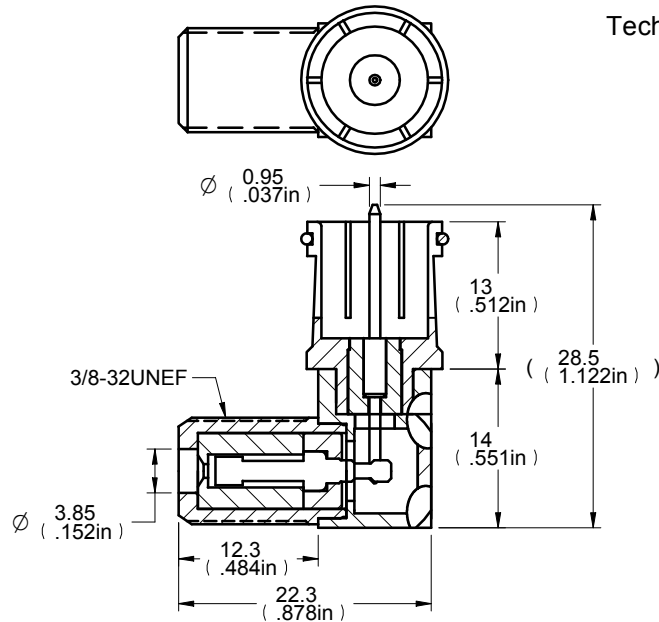
A



Description: RT.Angle F FM. To Push On Male
 Part No: 25-7141
 Application: Adapter
 Crimp Tool: N/A
 Impedance: 75 Ohms
 Frequency Range: 0-750 MHz
 Material: Body Brass or Zinc Nickel plated
 Contact Brass Nickel plated
 Insulator Delrin
 Spring SWPA Nickel plated
 Contact Phos. bronze Tin plated
 Insulator PP

RoHS Compliance: Yes

Technical Detail: Refer to Emerson Document P/N 25-0000



DIM OUTLINE

DRAWING NO.
25-7141-CUST

REVISIONS

01	OFFICIAL RELEASE					
	08-21-09	Y	U	Y	U	T H
02	CHANGE VIEW AND ADD MATERIAL LIST.					
	04-07-11	J	J	J	D	ECO-11-0069

CUSTOMER COPY

TOLERANCE UNLESS OTHERWISE SPECIFIED		DRAWN BY	DATE
DECIMALS	mm	JEAN.JIN	04-07-11
X	± 0.5	CHECKED BY	DATE
X.X	± 0.3	JEAN.JIN	04-07-11
X.XX	± 0.1	APPROVED BY	DATE
ANGLES	± 0.5°	DONALD	04-07-11
		U/M	mm



TITLE
RT. ANGLE F FM. TO PUSH ON MALE

SHEET	DRAWING NO.	SIZE
1 OF 1	25-7141-CUST	A

THIS DRAWING WAS PRODUCED BY COMPUTER, DO NOT SCALE DRAWING OR UPDATE MANUALLY.

5

4

3

2

1