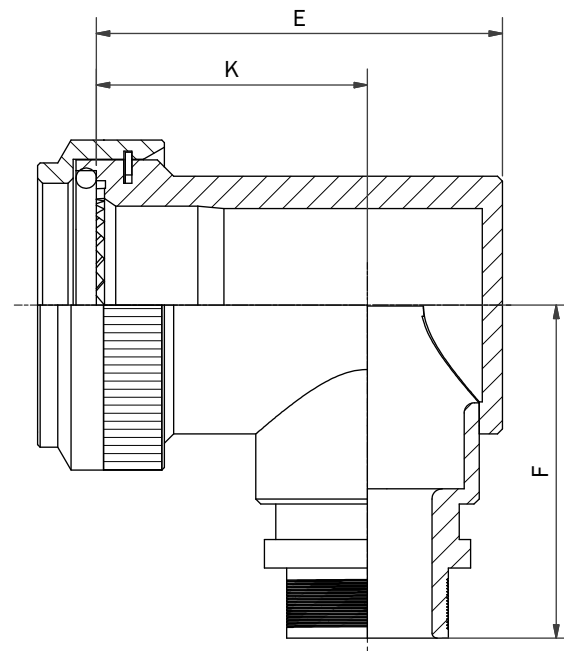
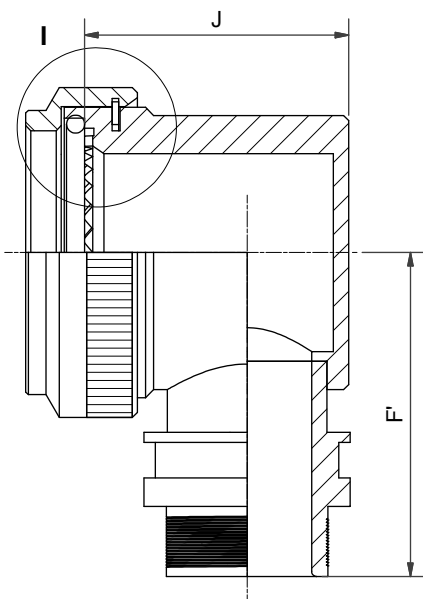
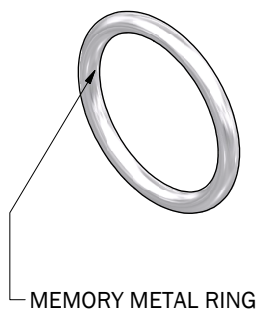
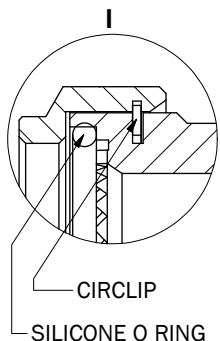


**ANGLE 3  
LOW PROFILE OPTION**



**ANGLE 3**



<b>DRAWN</b>	J.CLARK	<b>DATE</b>	07/09/2011
<b>SALES APPR</b>			
<b>DESIGN APPR</b>	K.SHEPPARD	<b>DATE</b>	14/12/2009
<b>QUAL APPR</b>			
<b>ISSUE</b>	<b>DCR</b>		
<b>6</b>	<b>4417</b>		
<b>WEIGHT</b>	GENERAL TOL LINEAR +/-0.1MM ANGULAR +/- 1°		

3RD ANGLE PROJECTION  
NOT TO SCALE

THIS DRAWING IS COPYRIGHT AND THE PROPERTY OF POLAMCO LTD. IT MUST NOT BE COPIED, USED FOR MANUFACTURE OR OTHERWISE DISCLOSED WITHOUT PRIOR WRITTEN CONSENT OF THE COMPANY.

 **POLAMCO** WESTON LOCK  
LOWER BRISTOL ROAD  
BATH BA2 1EP

PAGE 1 OF 2

UNLESS OTHERWISE SPECIFIED  
ALL DIMENSIONS IN  
MILLIMETRES

**ASSY USED ON: MIL-DTL-38999 SERIES III & IV**

**TITLE:**  
**MEMORY METAL RING ADAPTOR**

**MATERIAL**  
ALUMINIUM ALLOY  
6262

NCAGE CODE U5792

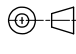

**PART NUMBER:**  
**60H SERIES**

**DRAWING NO:**  
**P10745**

EXAMPLE PART NUMBER: 60H1-17-08-1-C-A	
60 =	POLAMCO SERIES
H =	CONNECTOR INTERFACE (MIL-DTL-38999 SERIES III & IV)
1 =	ANGLE - 1 = STRAIGHT      2 = 45°      3 = 90°
17 =	SHELL SIZE (TABLE 1)
08 =	ENTRY SIZE (TABLE 2)
1 =	MATERIAL (ALUMINIUM ALLOY)
C =	PLATING: SEE PAGE
LP =	LOW PROFILE OPTION (90° ONLY) OMIT IF STANDARD REQUIRED
A =	RING OPTION: A - RING TO SUIT SINGLE BRAID, B - RING TO SUIT DOUBLE BRAID, OMIT IF NO RING IS REQUIRED

TABLE 1	SHELL SIZE	A THREAD	B MAX	T MIN	C MAX	D MAX	E MAX	F MAX	K +/- 0,5	J MAX	F' MAX	MAX ENTRY FOR LOW PROFILE OPTION
09	M12 x 1.0	18,0	6,7	13,1	26,8	25,7	26,4	17,5	18,0	27,4	04	
11	M15 x 1.0	21,0	10,2	13,9	27,6	26,7	28,2	17,5	22,0	29,2	05	
13	M18 x 1.0	24,5	13,5	14,5	28,0	31,2	29,7	20,0	22,0	30,7	06	
15	M22 x 1.0	29,0	16,2	15,5	29,0	37,2	31,2	24,5	25,0	32,2	07	
17	M25 x 1.0	32,5	19,4	16,1	29,8	40,2	32,9	26,7	27,0	33,9	08	
19	M28 x 1.0	35,5	21,8	16,8	30,6	44,7	34,5	27,0	28,0	35,7	10	
21	M31 x 1.0	37,0	25,1	17,1	30,9	49,2	36,1	30,5	29,0	37,1	10	
23	M34 x 1.0	40,0	28,2	17,7	31,2	51,7	37,6	31,5	31,7	38,6	10	
25	M37 x 1.0	43,5	31,4	18,4	32,1	53,2	39,1	28,5	31,7	40,1	10	

TABLE 2	ENTRY SIZE	G MIN	H MAX	M MAX
04	6,3	14,3	9,5	
05	7,9	15,8	11,1	
06	9,5	17,4	12,7	
07	11,1	19,0	14,3	
08	12,7	20,6	15,9	
10	15,8	23,8	19,0	
12	19,0	27,0	22,2	
14	22,2	30,1	25,4	
16	25,4	33,3	28,6	
18	28,5	36,5	31,8	
20	31,7	39,7	34,9	
22	34,9	42,8	38,1	
24	38,1	46,0	41,3	

<b>DRAWN</b>	J.CLARK	DATE	07/09/2011	 3RD ANGLE PROJECTION NOT TO SCALE	 <b>POLAMCO</b> WESTON LOCK LOWER BRISTOL ROAD BATH BA2 1EP	PAGE 2 OF 2	UNLESS OTHERWISE SPECIFIED ALL DIMENSIONS IN MILLIMETRES
<b>SALES APPR</b>							
<b>DESIGN APPR</b>	K.SHEPPARD	DATE	14/12/2009	THIS DRAWING IS COPYRIGHT AND THE PROPERTY OF POLAMCO LTD IT MUST NOT BE COPIED, USED FOR MANUFACTURE OR OTHERWISE DISCLOSED WITHOUT PRIOR WRITTEN CONSENT OF THE COMPANY.	<b>ASSY USED ON: MIL-DTL-38999 SERIES III &amp; IV</b> <b>TITLE:</b> <b>MEMORY METAL RING ADAPTOR</b>	<b>MATERIAL</b> <b>ALUMINIUM ALLOY</b> <b>6262</b>	<b>NCAGE CODE U5792</b>
<b>QUAL APPR</b>							
<b>ISSUE</b>	<b>6</b>	<b>DCR</b>	<b>4417</b>				
<b>WEIGHT</b>		GENERAL TOL	LINEAR +/-0.1MM ANGULAR +/- 1°	<b>PART NUMBER:</b>	<b>60H SERIES</b>	<b>DRAWING NO:</b>	<b>P10745</b>