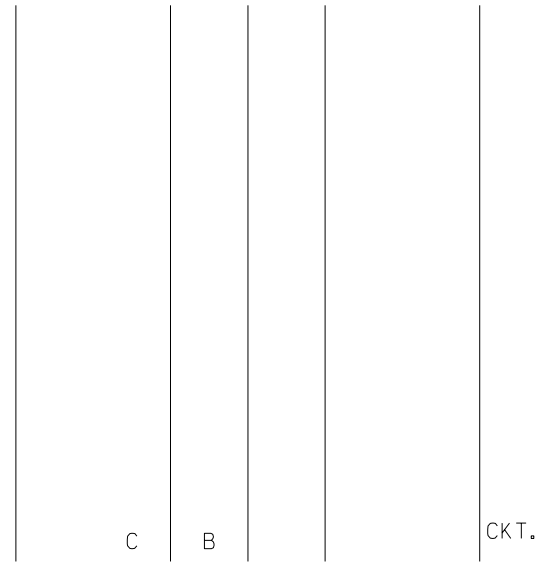
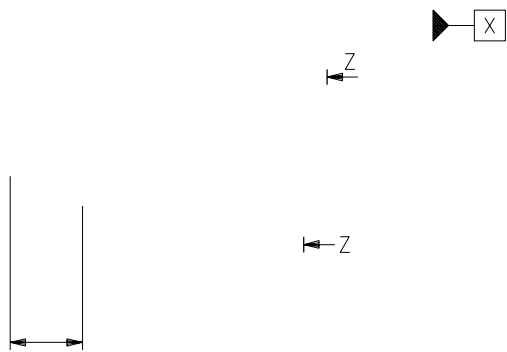


FITTING NAIL



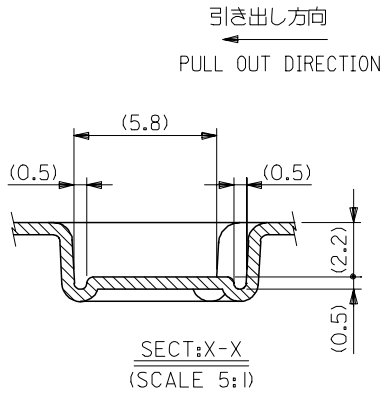
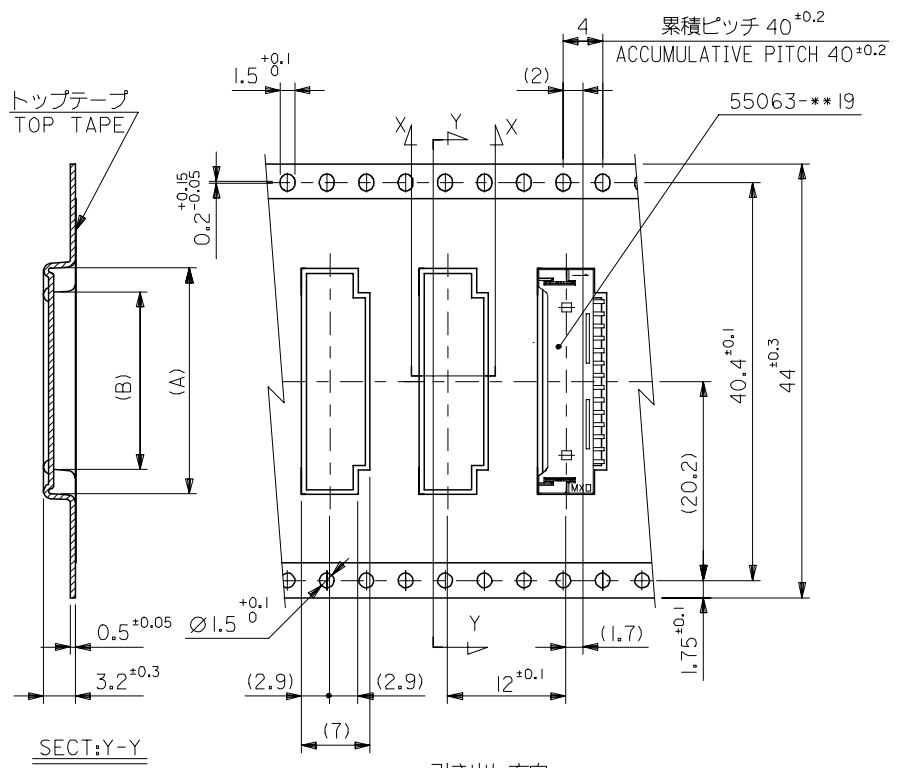
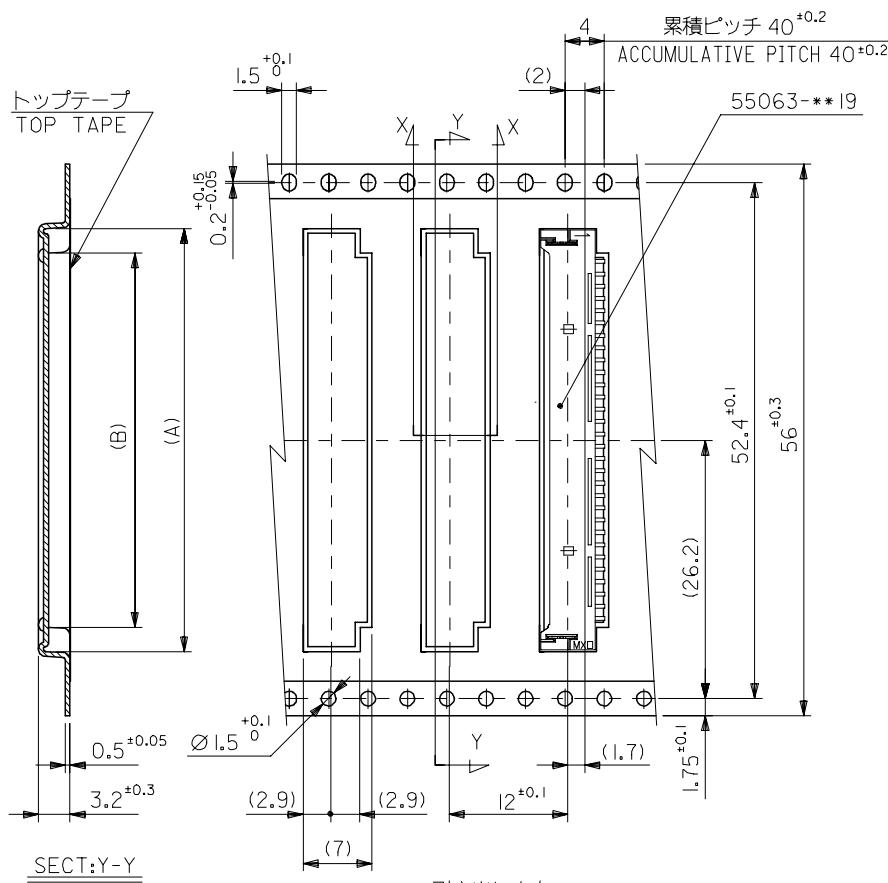
SECT. Z-Z







10 9 8 7 6 5 4 3 2 1



MODEL NO.	CARRIER TAPE WIDTH	D	C	(B)	(A)	MATERIAL NO.	極致 CKT.
55063-***70	61.4	57.4	38	42.95	55063-3070	30	
			33	37.95	55063-2670	26	
			30.5	35.45	55063-2470	24	
44	49.4	45.4	28	32.95	55063-2270	22	
			25.5	30.45	55063-2070	20	
			19.25	24.2	55063-1570	15	
			18	22.95	55063-1470	14	

REVISED EC NO: J2007-1035 DRWN: NABEI 2006/10/17 CHKDK: TOYODA 2006/10/19 APPR: NUKITA 2006/10/23	GENERAL TOLERANCES (UNLESS SPECIFIED)		DIMENSION STYLE MM ONLY		SCALE ---	DESIGN UNITS METRIC	THIRD ANGLE PROJECTION
	10 UNDER	±0.2	DRAWN BY M. NABEI	DATE '04/03/09	TITLE 1.25 BTB CONN ASSY SMT H=1.03 EMBSTP PKG -LEAD FREE-		
	10 OVER 30 UNDER	±0.25	CHECKED BY K. TOJO	DATE '04/03/09	MOLEX INCORPORATED		
	30 OVER	±0.3	APPROVED BY M. SASAO	DATE '04/03/09	DOCUMENT NO. SD-55063-002		
	ANGULAR	±3 °	MATERIAL NO. SEE CHART		SHEET NO. 3 OF 3		
DRAFT WHERE APPLICABLE MUST REMAIN WITHIN DIMENSIONS		SIZE A3		THIS DRAWING CONTAINS INFORMATION THAT IS PROPRIETARY TO MOLEX INCORPORATED AND SHOULD NOT BE USED WITHOUT WRITTEN PERMISSION			