

Relay Socket with Small Switching Relay

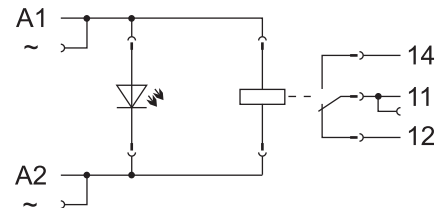
1/2

Socket with relay (1 changeover contact) and status indication

Data sheet



Similar photo



Description	Item-No.	Pack.-unit pcs																																																		
Socket with relay, AC 115 V, 1 changeover contact	788-507	1																																																		
<ul style="list-style-type: none"> • Relay socket for DIN 35 carrier rails. • Status indication through pluggable LED module (red). • Insulated, pluggable jumper system suitable for both coil and load side. • CAGE CLAMP® S connection. Solid wires, fine-stranded wires with crimped ferrules or ultrasonically bonded wire ends can be inserted directly. • Quick exchange of the relay and the status indication during maintenance, without having to detach the wiring. • Safe electrical isolation in accordance with DIN VDE 0140 Part 1. <p>DC-Load limiting value graph</p> <p>Note: Inductive loads have to be attenuated by an appropriate protective circuit in order to protect relay coils and contacts !</p>	<p>Technical Data</p> <table border="1"> <tr><td>Contact material</td><td>AgNi 90/10</td></tr> <tr><td>Input nominal voltage U_N</td><td>AC 115 V</td></tr> <tr><td>Input voltage range</td><td>$U_N \pm 10 \%$</td></tr> <tr><td>Current input at U_N (20 °C)</td><td>8 mA</td></tr> <tr><td>Max. switching voltage</td><td>AC 250 V</td></tr> <tr><td>Max. making current (resistive)</td><td></td></tr> <tr><td>at 10 % continuous duty</td><td>4 s (AC) 30 A</td></tr> <tr><td>Max. continuous current</td><td>16 A</td></tr> <tr><td>Max. switching power (resistive)</td><td>AC 4000 VA</td></tr> <tr><td>(resistive)</td><td>DC see load limiting value graph</td></tr> <tr><td>Max. number of switching operations with/without load</td><td>6 min⁻¹ / 1200 min⁻¹</td></tr> <tr><td>Operating power</td><td>0.75 VA</td></tr> <tr><td>Pull-in/dropout/bounce time_{typ.}</td><td>7 ms / 3 ms / 3 ms</td></tr> <tr><td>Operation at normal rating</td><td>100 % continuous duty</td></tr> <tr><td>Dielectric strength contact/coil</td><td>5 kV_{rms.}</td></tr> <tr><td>open contact</td><td>1 kV_{rms.}</td></tr> <tr><td>Nominal voltage acc. to VDE 0110 Part1 / 4.97</td><td></td></tr> <tr><td>IEC 60664-1</td><td>250 V / 4 kV / 3</td></tr> <tr><td>Mechanical life</td><td>10 x 10⁶ switching operations</td></tr> <tr><td>Degree of protection</td><td>IP 20</td></tr> <tr><td>Relay type</td><td>RT 1</td></tr> <tr><td>Ambient operating temperature</td><td>-25 °C ... +50 °C</td></tr> <tr><td>Storage temperature</td><td>-40 °C ... +70 °C</td></tr> <tr><td>Dimensions (WxHxD)</td><td>(15x53*x86) mm / (0.59x2.09x3.39) in</td></tr> <tr><td></td><td>* from upper edge of DIN 35 rail</td></tr> </table>		Contact material	AgNi 90/10	Input nominal voltage U_N	AC 115 V	Input voltage range	$U_N \pm 10 \%$	Current input at U_N (20 °C)	8 mA	Max. switching voltage	AC 250 V	Max. making current (resistive)		at 10 % continuous duty	4 s (AC) 30 A	Max. continuous current	16 A	Max. switching power (resistive)	AC 4000 VA	(resistive)	DC see load limiting value graph	Max. number of switching operations with/without load	6 min ⁻¹ / 1200 min ⁻¹	Operating power	0.75 VA	Pull-in/dropout/bounce time _{typ.}	7 ms / 3 ms / 3 ms	Operation at normal rating	100 % continuous duty	Dielectric strength contact/coil	5 kV _{rms.}	open contact	1 kV _{rms.}	Nominal voltage acc. to VDE 0110 Part1 / 4.97		IEC 60664-1	250 V / 4 kV / 3	Mechanical life	10 x 10 ⁶ switching operations	Degree of protection	IP 20	Relay type	RT 1	Ambient operating temperature	-25 °C ... +50 °C	Storage temperature	-40 °C ... +70 °C	Dimensions (WxHxD)	(15x53*x86) mm / (0.59x2.09x3.39) in		* from upper edge of DIN 35 rail
Contact material	AgNi 90/10																																																			
Input nominal voltage U_N	AC 115 V																																																			
Input voltage range	$U_N \pm 10 \%$																																																			
Current input at U_N (20 °C)	8 mA																																																			
Max. switching voltage	AC 250 V																																																			
Max. making current (resistive)																																																				
at 10 % continuous duty	4 s (AC) 30 A																																																			
Max. continuous current	16 A																																																			
Max. switching power (resistive)	AC 4000 VA																																																			
(resistive)	DC see load limiting value graph																																																			
Max. number of switching operations with/without load	6 min ⁻¹ / 1200 min ⁻¹																																																			
Operating power	0.75 VA																																																			
Pull-in/dropout/bounce time _{typ.}	7 ms / 3 ms / 3 ms																																																			
Operation at normal rating	100 % continuous duty																																																			
Dielectric strength contact/coil	5 kV _{rms.}																																																			
open contact	1 kV _{rms.}																																																			
Nominal voltage acc. to VDE 0110 Part1 / 4.97																																																				
IEC 60664-1	250 V / 4 kV / 3																																																			
Mechanical life	10 x 10 ⁶ switching operations																																																			
Degree of protection	IP 20																																																			
Relay type	RT 1																																																			
Ambient operating temperature	-25 °C ... +50 °C																																																			
Storage temperature	-40 °C ... +70 °C																																																			
Dimensions (WxHxD)	(15x53*x86) mm / (0.59x2.09x3.39) in																																																			
	* from upper edge of DIN 35 rail																																																			

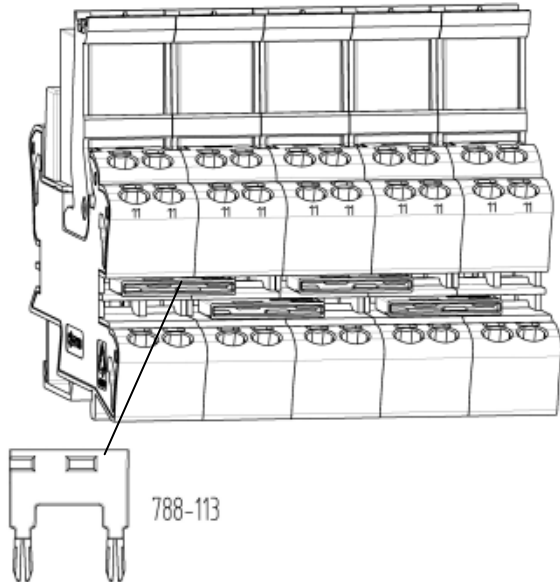
Relay Socket with Small Switching Relay

2/2

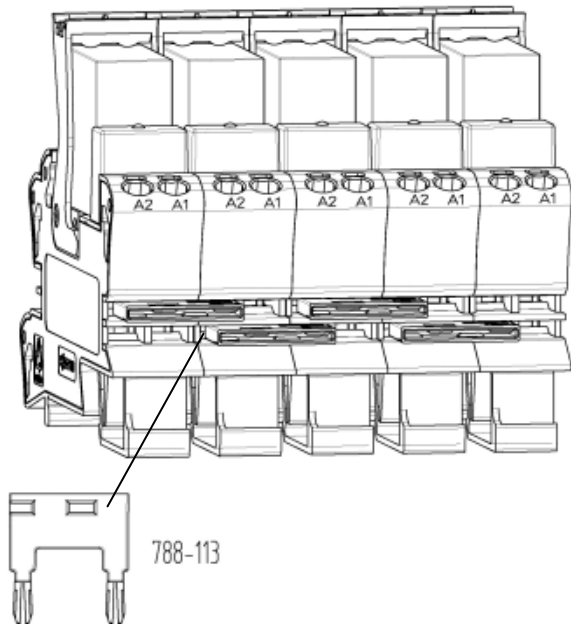
Socket with relay (1 changeover contact) and status indication

Data sheet

Commoning possibilities on the contact side:
-relay spanning contacts 11/11



Commoning possibilities on the coil side:
-contacts A2/A2



Wire connection	CAGE CLAMP® S 0,34-2,5 mm ² / AWG 22-12
Stripped length	9-10 mm / 0.37 in
Standards / prescriptions	DIN VDE 0140 Part1, DIN EN 61140 DIN VDE 0160, EN 50178 Class of protection II
Approvals	cUL _{US} UL508 / CSA22.2; 10 A E175199 Only use replacement relay 788-174 for UL applications (see accessories)
Accessories:	
Comb type jumper bar	
18 A, 2-way	788-113
18 A, 3-way	788-114
18 A, 4-way	788-115
18 A, 6-way	788-116
18 A, 8-way	788-117
18 A, 2-way	859-402
Operation indication AC 115 V	788-124
Relay RT1, 1 CO	788-174
WMB Multi marking system	(General catalogue W3 Vol.1 Chapt.8)