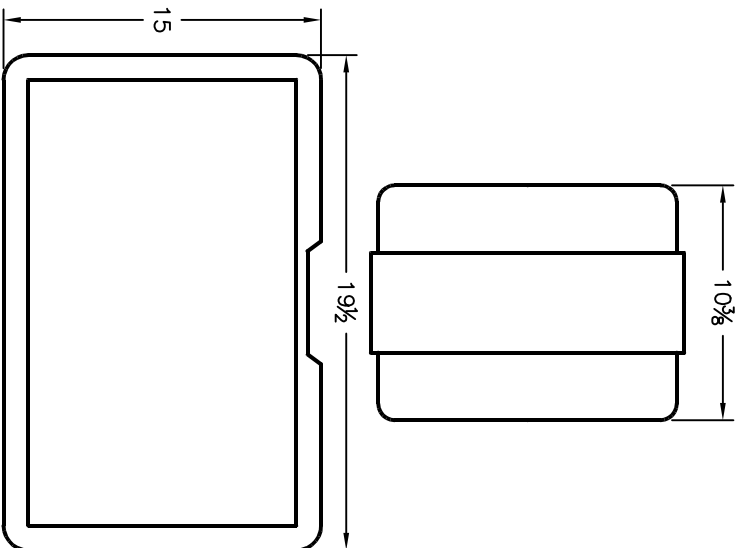
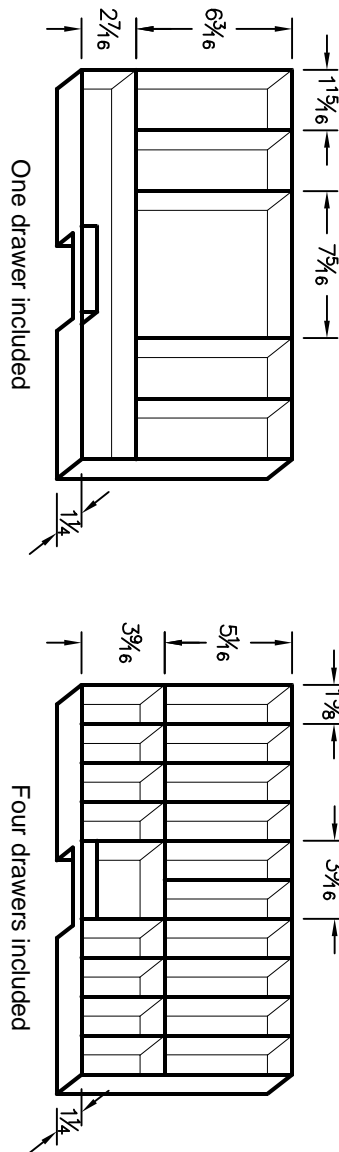


ALL RIGHTS RESERVED. NO PORTION OF THIS PUBLICATION, WHETHER IN WHOLE OR IN PART CAN BE REPRODUCED WITHOUT THE EXPRESS WRITTEN CONSENT OF SPC TECHNOLOGY.

REVISIONS		DOC. NO. SPC-F005	* Effective: 12/21/98		* DCP No: 880	
DCP #	REV	DESCRIPTION	DRAWN	DATE	CHECKD	DATE
	A	RELEASED	JC	2/4/92		
1090	B	REDRAWN AND UPDATED	HYO	7/30/01	JC	10/16/01
					JC	10/16/01

Drawer's compartment dimensions

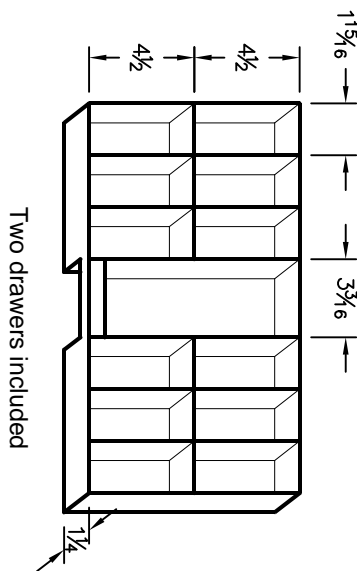


SPECIFICATIONS:

1. Material: Industrial grade ABS plastic
2. Cabinet Color: Brown / Tan
3. Drawer Color: Orange
4. Package Weight: 20.1 Lbs.

Features:

This unit is designed to organize, store and protect precision tools, hardware and small parts. Common features include interchangeable drawers with adjustable compartment sizes, padlock tab, two positive action latches and brass hinge and latch pins. All components are molded in high - impact resins, resistant to most chemicals, common solvents and oils. The Drawer Cabinet features a self - storing door panel providing all - water protection for all the drawer configurations. A unique lock prevent accidental spills and allows the lid and drawers to lift as a unit, providing access to the large lower storage area.



DISCLAIMER:
ALL STATEMENTS AND TECHNICAL INFORMATION CONTAINED HEREIN ARE BASED UPON INFORMATION AND/OR TESTS WE BELIEVE TO BE ACCURATE AND RELIABLE SINCE CONDITIONS OF USE ARE BEYOND OUR CONTROL. THE USER SHALL DETERMINE THE SUITABILITY OF THE PRODUCT FOR THE INTENDED USE AND ASSUME ALL RISK AND LIABILITY IN CONNECTION THEREWITH.



SPC TECHNOLOGY

UNLESS OTHERWISE SPECIFIED, DIMENSIONS ARE FOR REFERENCE PURPOSES ONLY.		DRAWING TITLE: STORAGE CHEST WITH SEVEN DRAWERS		ELECTRONIC FILE	
DRAWN BY: JOHN COLE	DATE: 2/4/92	SIZE A	DWG. NO. TCB-277	44N4959.DWG	REV B
CHECKED BY:	DATE:	SCALE: NTS	U.O.M.: INCHES	SHEET: 1	OF 1
APPROVED BY:	DATE:				