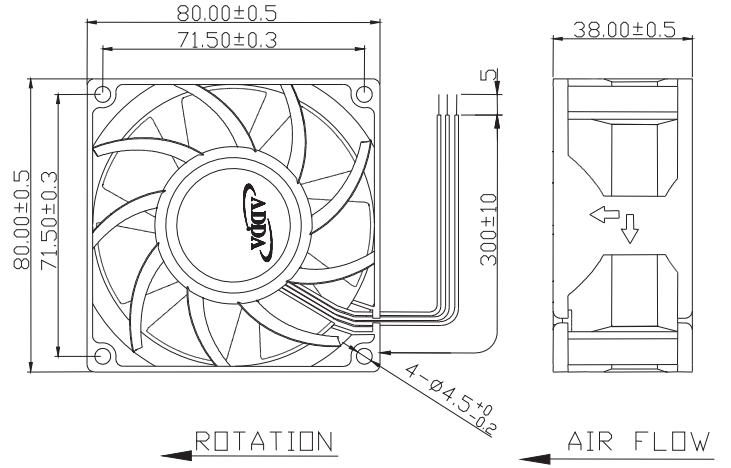




AD8038DS SERIES



External Dimensions



Frame: Plastic(UL:94V-0)
 Impeller: Plastic(UL:94V-0)
 Lead wire: UL1007AWG24:1、2、3、9; UL1061AWG24:B

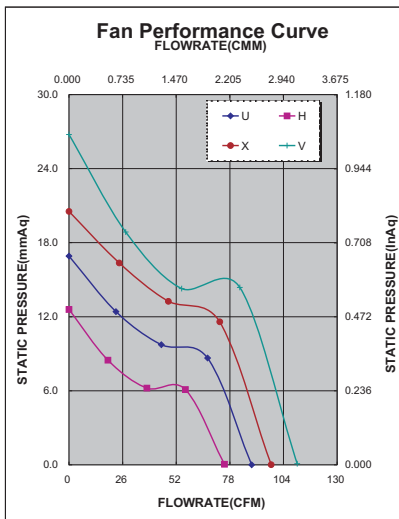
Specifications(Nominal)

*: Noise is measured at the distance of one (1) meter from the axis of intake.

Bearing type: ◎=Ball ※=Sleeve ○=1B1S ●=Hypro bearing

Frame size (mm)	Model No.	Bearing System Type	Rated Voltage (VDC)	Current (A)	Power (W)	Rated Speed (rpm)	Maximum AirFlow (CMM)	Maximum AirFlow (CFM)	Maximum Pressure (InAq)	Maximum Pressure (mmAq)	*Noise Level (dB/A)	Weight (g)
80x80x38	AD0812HB-F7BDS(M)	◎	12	0.54	6.48	4800	2.122	75.000	0.490	12.446	50.5	195
	AD0812UB-F7BDS(M)	◎	12	0.86	10.32	5500	2.490	88.000	0.660	16.764	55.0	
	AD0812XB-F7BDS(M)	◎	12	1.25	15.00	6200	2.745	97.000	0.800	20.320	57.0	
	AD0812VB-F7BDS(M)	◎	12	2.05	24.60	7000	3.113	110.000	1.050	26.670	60.5	
	AD0824HB-F7BDS(M)	◎	24	0.30	7.20	4800	2.122	75.000	0.490	12.446	50.5	
	AD0824UB-F7BDS(M)	◎	24	0.44	10.56	5500	2.490	88.000	0.660	16.764	55.0	
	AD0824XB-F7BDS(M)	◎	24	0.54	12.96	6200	2.745	97.000	0.800	20.320	57.0	
	AD0848HB-F7BDS(M)	◎	48	0.15	7.20	4800	2.122	75.000	0.490	12.446	50.5	
	AD0848UB-F7BDS(M)	◎	48	0.23	11.04	5500	2.490	88.000	0.660	16.764	55.0	
AD0848XB-F7BDS(M)	◎	48	0.30	14.40	6200	2.745	97.000	0.800	20.320	57.0		

Specifications subject to change without notice.



*Motor protective circuit and third lead wire functions

0	1	2	3	4	6	7	8	9	A	B
	✓	✓	✓					✓		✓

*Safety approvals

✓	✓			✓	✓