

storm SF6000 Series Keypad



Compact numeric data entry for use where panel space is limited

- Impact resistant
20J BS EN 60068-2-75: 1997)
- Weather resistant (IP65)
- Suitable for use by those with mobility or sensory impairment
- Permanent, high contrast, laser engraved keytop graphics (engraved and infilled metal keys)
- Raised tactile symbols on coloured function keys and 'home pip' on the 5 key
- Rugged, reliable and responsive data entry featuring Storm's patented switch technology
- Available with black polymer keys, illuminated polymer keys or metal keys
- Small footprint – overall dimensions: 106.5 x 88.5 x 31 mm (including contact connections)
- Can be sanitised using most commonly used cleaning agents



www.storm-interface.com

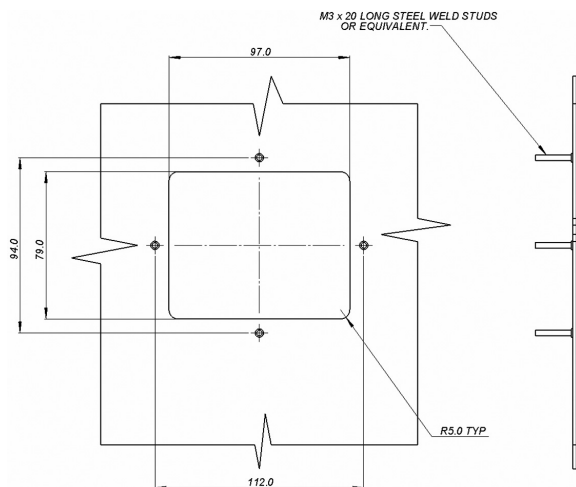
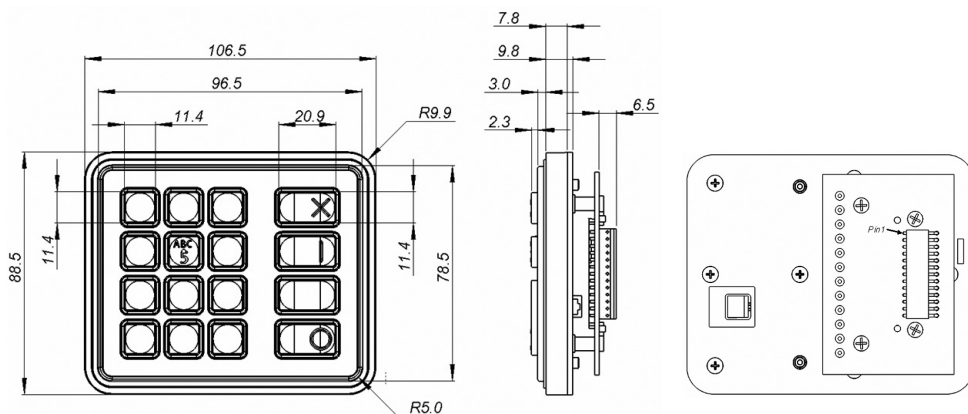
Storm Interface
products include
technology protected by
international patents
and design registration.
All rights reserved.

storm

Small Footprint – SF6000 Series Keypad



Overall Dimensions



Electrical

Keypad Operating Voltage	24V DC (max)
Keypad Operating Current	50mA (max)
Contact Resistance	100 ohms (max)
Illumination Voltage	5V DC (separate connector)

Mechanical

Minimum Operational Life	4 million cycles/key
Keytop Travel	1.5 mm
Actuation Force	150 gm
Connector	0.1" pitch, gold-plated square pins with locking ramp

Environmental

Operating Temperature	-20°C to 60°C
Vandal Resistant	20J BS EN 60068-2-75: 1997
Weather Resistant	IP65 (where mounted to a suitable enclosure – panel mount gasket included)

Ordering Details

Stock No.	Description
8616-210023	Laser Engraved polymer Keys
8616-310023	Engraved Metal Keys
8616-410023	Illuminated Polymer Keys
6000-MK0003	Under Panel Mount Kit
4200-003	RS-232 Encoder

Whilst every effort is made to ensure details are correct at time of print, specifications are subject to change without notice.



????????? Rev 3
Nov 2008



FM 39602



Storm is a trademark of Keymat Technology Ltd
Storm Interface is a trading name of Keymat Technology Ltd
Storm Interface products include technology protected by international patents and design registration. All rights reserved.