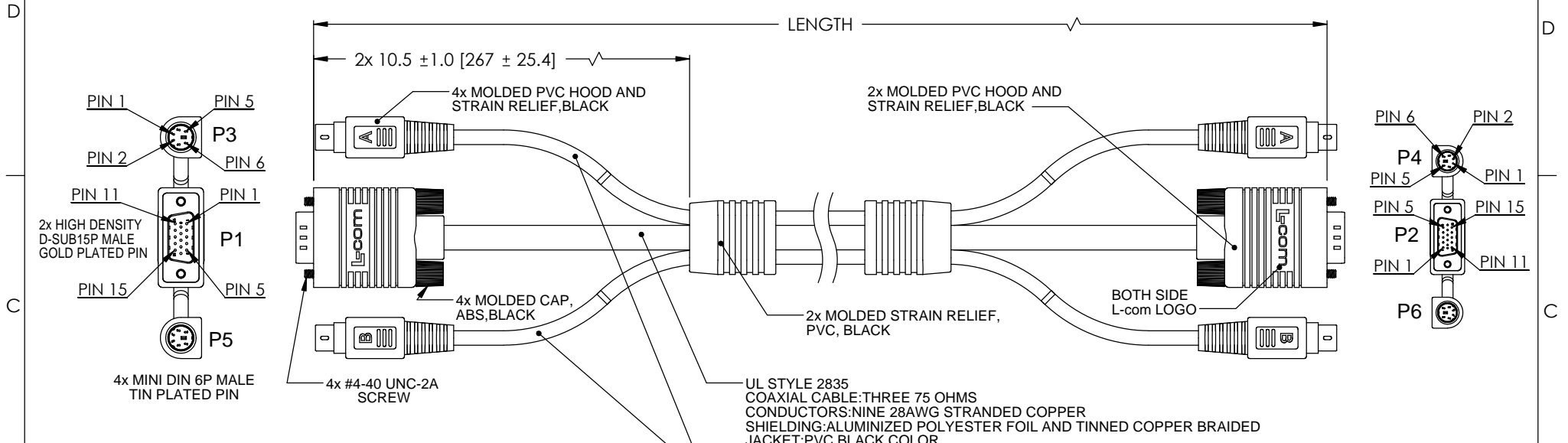


THE INFORMATION CONTAINED IN THIS DRAWING IS THE SOLE PROPERTY OF L-COM, INC. ANY REPRODUCTION IN PART OR WHOLE WITHOUT THE WRITTEN PERMISSION OF L-COM, INC. IS PROHIBITED.

RoHS Compliant ✓

REVISIONS			
REV	DESCRIPTION	DATE	APPROVED
E	ECN 4848: CN RELEASE	21 Jun 2010	Bill_Zhang
-	-	-	-
-	-	-	-
-	-	-	-



P1--P2 VIDIO CABLE WIRING TABLE

P1-HD15 M	P2-HD15 M	FUNCTION	WIRE COLOR
PIN1	PIN1	RED SIGNAL	RED CENTER
PIN2	PIN2	GREEN SIGNAL	GREEN CENTER
PIN3	PIN3	BLUE SIGNAL	BLUE CENTER
PIN4	PIN4	ID BIT2	BLACK
PIN5	PIN5	GROUND	BROWN
PIN6	PIN6	RED SHIELD	RED SHIELD
PIN7	PIN7	GREEN SHIELD	GREEN SHIELD
PIN8	PIN8	BLUE SHIELD	BLUE SHIELD
PIN9	PIN9	POWER	RED
PIN10	PIN10	SYNC SIGNAL RETURN	ORANGE
PIN11	PIN11	ID BIT 0	YELLOW
PIN12	PIN12	BI-DIRECTIONAL SIGNAL	GREEN
PIN13	PIN13	HORIZONTAL SYNC SIGNAL	BLUE
PIN14	PIN14	VERTICAL SYNC SIGNAL	VIOLET
PIN15	PIN15	DATA CLOCK	GRAY
SHIELD	SHIELD	DRAIN WIRE	

MODEL NUMBER	LENGTH	
	FEET	METERS
CTL3KVMM-3	3.00	.92
CTL3KVMM-5	5.00	1.52
CTL3KVMM-7.5	7.50	2.29
CTLK3VMM-10	10.00	3.05
CTLK3VMM-20	20.00	6.10
CTL3KVMM-25	25.00	7.62
CTL3KVMM-50	50.00	15.24
CTL3KVMM-100	100.00	30.49

NOTES

1. CABLES TO BE TESTED FOR CONTINUITY
2. CABLES TO BE INDIVIDUALLY PACKAGED IN ACCORDANCE WITH L-COM PACKAGING SPEC PS-0031

MINI DIN "A" WIRING TABLE			MINI DIN "B" WIRING TABLE		
P3-MD6 M	P4-MD6 M	WIRE COLOR	P5-MD6 M	P6-MD6 M	WIRE COLOR
PIN1	PIN1	BLACK	PIN1	PIN1	BLUE
PIN2	PIN2	BROWN	PIN2	PIN2	VIOLET
PIN3	PIN3	RED	PIN3	PIN3	GRAY
PIN4	PIN4	ORANGE	PIN4	PIN4	WHITE
PIN5	PIN5	YELLOW	PIN5	PIN5	PINK
PIN6	PIN6	GREEN	PIN6	PIN6	LT GREEN
SHIELD	SHIELD	DRAIN	SHIELD	SHIELD	DRAIN

UNLESS OTHERWISE SPECIFIED, DIMENSIONS ARE IN INCHES [mm] OVERALL CABLE LENGTH TOLERANCE: $\leq 12$ [305] = +1 [25] / -0 $>12$ [305] $\leq 60$ [1524] = +2 [51] / -0 $>60$ [1524] $\leq 120$ [3048] = +4 [102] / -0 $>120$ [3048] $\leq 300$ [7620] = +6 [152] / -0 $>300$ [7620] = +3% / -0% ALL OTHER DIMENSIONAL TOLERANCES: .X = ± .2 .XX = ± .02 .XXX = ± .005	APPROVALS DRAWN BY: Bill_Zhang CHECKED BY: Frank_Mao APPROVED BY: Thomas_Lu	DATE 06/14/10 06/21/10 06/21/10	45 BEECHWOOD DRIVE NORTH ANDOVER, MA 01845
	CATEGORY AUDIO/VIDEO		
	PRODUCT DESCRIPTION CABLE, KVM HD15/(2)MD6 M-M		
	PROJECTION 	CONFIGURATION DETAILS OF UNDIMENSIONED FEATURES MAY VARY COLOR VARIATIONS MAY OCCUR	
SCALE: NONE		CAD FILE: CTL3KVMM.SLDRW	SHEET 1 OF 1