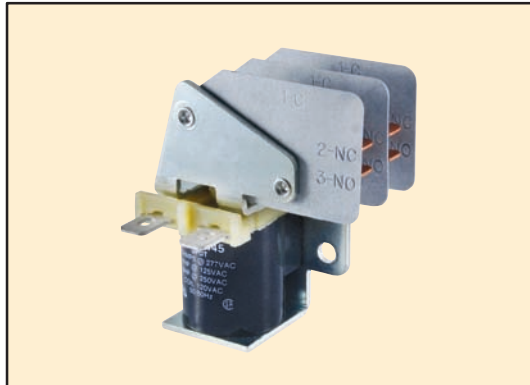
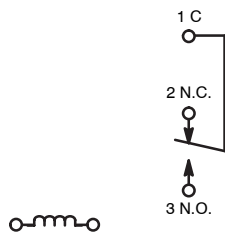


Features

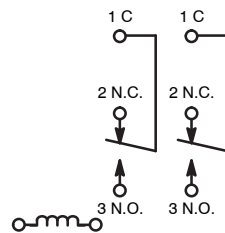
- Rated for Locked Rotor Applications
- Heavy Duty
- Multicontact
- .250" (6.35mm) Quick Connect Terminals



SPDT, 1 Form "C"



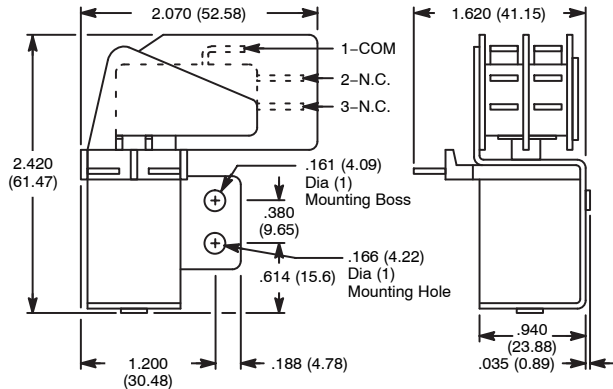
DPDT, 2 Form "C"



RLY74/75 Series

Industrial SPDT and DPDT, 20 Amp Power Relays.

D71



Electrical Specifications

Contact

Rating: 20 Amp @ 277 VAC
60 LRA, 12 FLA @ 125 VAC
48 LRA, 8 FLA @ 240 VAC

Pilot Duty: 360 VAC @ 125/250 VAC

Contact Horsepower Rating: 1 HP @ 125 VAC, 2 HP @ 250 VAC

Material: Silver and silver-cadmium oxide

Coil

Coil Voltages: See Chart

Resistance: See Chart

Operational Characteristics

Must Operate Voltage

AC Coil: 85% of nominal voltage @ +25°C

DC Coil: 75% of nominal voltage @ +25°C

Insulation Characteristics

Dielectric Strength

Initial Breakdown Voltage: 1560V RMS, 60Hz

Insulation Resistance: Class B (130°C)

Environmental Characteristics

Operating: -10°C to +65°C

Life

Mechanical: 1 million operations/hour

Electrical: 50,000 operations/hour (under rated load)

AC OPERATED						
NTE Type No.	Nom. Volt.	Contact Arr.	Coil Res. Ohms (Typ)	Approx. Nom. Power	Max. Contact Cur. @ 28VDC 277VAC	Diag No.
RLY7423	24VAC	SPDT	35	4 VA	20A	D71
RLY7425	120VAC	SPDT	800	4 VA	20A	D71
RLY7443	24VAC	DPDT	35	4 VA	20A	D71
RLY7445	120VAC	DPDT	800	4 VA	20A	D71
RLY7446	240VAC	DPDT	3200	4 VA	20A	D71
DC OPERATED						
RLY7522	12VDC	SPDT	50	3.0W	20A	D71
RLY7523	24VDC	SPDT	200	3.0W	20A	D71
RLY7543	24VDC	DPDT	130	4.5W	20A	D71

Note 1. Relay is designed for operation with plunger either vertical or horizontal; however, the relay is **not** designed for operation in an upside-down position.