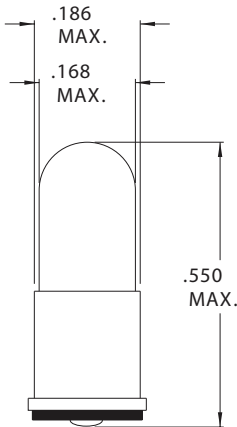
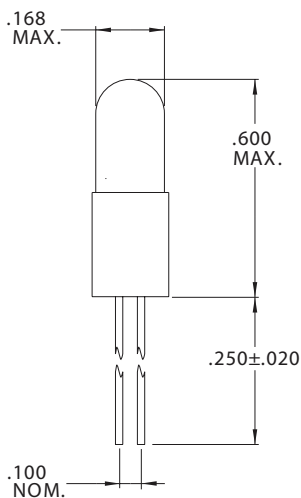


T-1 1/4 Special Midget Flange Base



Part Number	Design Voltage	Amps	MSCP	Life Hours	Filament Type
7302	1.30	.030	.006	100	S-2
8636	1.35	.060	.006	500	C-2R
8656	2.50	.400	.550	30	C-2R
8637	3.00	.190	.250	350	C-2R
3518	5.00	.115	.150	40,000	C-2R
3582	5.00	.060	.030	60,000	C-2R
3585	5.00	.060	.050	25,000	C-2R
8541	6.00	.060	.130	3,000	C-2R
8628	6.00	.200	.630	1,000	C-2R
8551	6.30	.200	.550	5,000	C-2R
8646	14.00	.080	.500	1,000	C-2F
737	28.00	.050	.300	16,000	C-2F
8632	28.00	.040	.320	1,000	C-2F

T-1 1/4 Bi-Pin Base (.100")



Part Number	Design Voltage	Amps	MSCP	Life Hours	Filament Type
7306	1.30	.030	.006	100	S-2
7636	1.35	.060	.006	500	C-2R
7307	2.50	.400	.550	30	C-2R
7637	3.00	.190	.250	350	C-2R
7515	5.00	.115	.150	40,000	C-2R
7580	5.00	.060	.030	60,000	C-2R
7583	5.00	.060	.050	25,000	C-2R
7309	6.00	.060	.130	3,000	C-2R
7628	6.00	.200	.630	1,000	C-2R
7310	6.30	.200	.550	5,000	C-2R
7646	14.00	.080	.500	1,000	C-2F
7052	28.00	.030	.200	5,000	C-2F
7632	28.00	.040	.320	1,000	C-2F